

**Formula™CG Powered Seating
Front Riggings**

**For
3G Storm Series® &
TDX®SP/SP-GT/SR**



Yes, you can.

Parts Catalog Usage Guide

The information contained in this document is subject to change without notice. This catalog contains service parts for Form No. 07_077. If you have any questions regarding this catalog, please contact one of our Customer Service Representatives.

For Customer Service Support Call:

1-800-333-6900

For Faxed In Orders Call:

1-800-678-4682 or

1-440-366-0709

For Technical Service Call:

1-800-832-4707

Literature Can Be Found at:

www.invacare.com or

1-800-828-6272

SYMBOL DEFINITION

Throughout this catalog you will notice letters to draw your attention to specific footnotes which are located at the bottom of the page or below specified charts.

Examples:

A,B,C etc. = Special Comments

NOTE: = General information pertaining to that specific page

NLA = No Longer Available

HARDWARE MEASUREMENTS

The measurements for the hardware will be listed as follows:

Screws, Bolts Diameter X Thread Count/Pitch X Length

Washers Inside Diameter X Outside Diameter X Thickness

Spacers Inside Diameter X Outside Diameter X Length

For your convenience, we have supplied an area for you to list your Invacare Representatives.

| Name | Phone Numbers |
|------|---------------|
| | |
| | |
| | |
| | |
| | |

© 2022 Invacare Corporation. Elyria, Ohio. Invacare, Yes, you can., the Blue Medallion Design, SureStep, Storm Series, TDX are registered trademarks and Formula, Contoura, Personal Back 10, DualFlex, MKIV, MK6i, are trademarks of Invacare Corporation.

Otto Bock is a registered trademark owned by Otto Bock Orthopaedische Industrie GMBH & Co.. JAY Back is a registered trademark of Sunrise Medical HHG, Inc. Corporation

TABLE of CONTENTS

| Description | Page Number |
|---|-------------|
| A: READ THIS FIRST (THIS CATALOG IS DIFFERENT!) | 5 |
| Frame Finishes - Touch-Up Paints & Upholstery Options | 6 |
| Front Riggings - Adjustable Angle Footplate Assembly - AT5543 | 49 |
| Front Riggings - Adjustable Heel Loops | 58 |
| Front Riggings - Calf Pads and Attaching Hardware | 40 |
| Front Riggings - Center Mount Rigging (CTMT-F w/ CTMTFB One PC Footboard) TDX SP/SP-GT/SR After 12/30/09 | 88 |
| Front Riggings - Center Mount Rigging (CTMT-F w/ CTMTFB One PC Footboard) TDX SP/SP-GT/SR Before 12/31/09 | 86 |
| Front Riggings - Center Mount Rigging (CTMT-F) For TDX SP/SP-GT/SR (Before 12/10/08) | 75 |
| Front Riggings - Center Mount Rigging (CTMT-FJ) For TDX SP/SP-GT/SR (Before 12/10/08) | 73 |
| Front Riggings - Center Mount Rigging (CTMT-J/CTMT-FJ/CTMT/CTMT-F/CTMT-L/CTMT-FL) (After 12/09/08) | 78 |
| Front Riggings - Center Mount Rigging Mtg Hdwr. (CGR 16"-19" D) (16"-24" W) TDX SP/SP-GT/SR | 94 |
| Front Riggings - Center Mount Rigging Mtg Hdwr. (CGR 19"-22" D) (CGT,CGTE,CGTR, CGTRE) (16"-24" W) TDX SP/SP-GT/SR | 96 |
| Front Riggings - Center Mount Rigging Mtg Hdwr. (CGT) For TDX SP/SP-GT/SR (12"-16" W) | 92 |
| Front Riggings - Center Mount Rigging Mtg. Hdwr. (CGE) (16"-22" Wide) For TDX SP/SP-GT/SR | 99 |
| Front Riggings - Center Mount Rigging Mtg. Hdwr., (CTMT-F/CTMT-FJ) (CGE) w/ Van Seats - TDX SP/SP-GT/SR | 101 |
| Front Riggings - Footrest & Legrest Accessories | 55 |
| Front Riggings - Footrest Support Assemblies (Sector Style) | 29 |
| Front Riggings - Footrest Supports - PHW93 - (Hemi) | 44 |
| Front Riggings - Footrest Supports - PW93 | 42 |
| Front Riggings - Front Rigging Hanger Hardware - Van Seat | 27 |
| Front Riggings - Front Rigging Hanger Hdwr., Pin & Sector Style (16"-22" W) (CGE) For TDX SP/SP-GT/SR | 25 |

TABLE of CONTENTS

| Description | Page Number |
|--|-------------|
| Front Riggings - Front Rigging Hanger Hdwr., Pin, Sector & Hemi Style (12"-16" W) (CGT) .. | 19 |
| Front Riggings - Front Rigging Hanger Hdwr., Pin, Sector & Hemi Style (16"-24" W) (CGR, CGTR, CGTRE) | 23 |
| Front Riggings - Front Rigging Hanger Hdwr., Pin, Sector & Hemi Style (16"-24" W) (CGT/CGTE) | 21 |
| Front Riggings - Legrest Release Handles and Ratchets | 38 |
| Front Riggings - Legrest Supports - AT5544 | 31 |
| Front Riggings - Legrest Supports - P904A | 33 |
| Front Riggings - Legrest Supports, Articulating (Hemi) - PHAL4A | 35 |
| Front Riggings - Legrest, Articulating - PAL4A | 34 |
| Front Riggings - Mounting Hardware - Adductors - Jr. Center Mount Front Riggings | 125 |
| Front Riggings - Mounting Hardware - Adductors - Center Mount Front Riggings | 121 |
| Front Riggings - Mounting Hardware - Adductors - Center Mount Front Riggings - Formula TRE | 119 |
| Front Riggings - Mounting Hardware - Adductors - Center Mount Front Riggings - Long | 123 |
| Front Riggings - Mounting Hardware - Adductors - CG Tilt/Elevate - Sector Style | 117 |
| Front Riggings - Mounting Hardware - Adductors - CG Tilt/Elevate For 3G Storm | 115 |
| Front Riggings - Mounting Hardware - Adductors - CG Tilt/Elevate For TDXSP/SP-GT/SR ... | 113 |
| Front Riggings - Mounting Hardware - Adductors - Hemi Style - 3G Storm | 105 |
| Front Riggings - Mounting Hardware - Adductors - Hemi Style - TDX SP/SP-GT/SR | 103 |
| Front Riggings - Mounting Hardware - Adductors - Jr. Center Mount Front Riggings - Tilt | 127 |
| Front Riggings - Mounting Hardware - Adductors - LNX/LNX-L Front Riggings - TDX SP/SP-GT | 131 |
| Front Riggings - Mounting Hardware - Adductors - MPCTMT/MPCTMT-L Style | 109 |
| Front Riggings - Mounting Hardware - Adductors - Sector Style | 107 |

TABLE of CONTENTS

| Description | Page Number |
|--|-------------|
| Front Riggings - Mounting Hardware - Adductors - Tilt/Recline - 3G Storm | 129 |
| Front Riggings - Mounting Hardware - Adductors - Tilt/Recline - Sector Style | 111 |
| Front Riggings - Pivot/Slide Tube w/ Footplate Assembly - Aluminum - 1350, 1650 | 47 |
| Front Riggings - Pivot/Slide Tube w/ Footplate Assembly - Composite - 1651 | 46 |
| Front Riggings - Power Articulating Legrest - ELRPW/ELRPW 22 | 52 |
| Front Riggings - Power Center Mount Elevating Legrest - Articulating - Mtg. Hdwr. - LNX/LNX-L - TDX SP/SP-GT | 71 |
| Front Riggings - Power Center Mount Elevating Legrest - Articulating - w/o Mtg. Hdwr. - LNX/LNX-L - TDX SP/SP-GT | 68 |
| Front Riggings - Power Elevating Legrest - Articulating (MPCTMT/MPCTMT-L) (After 12/31/08) - TDX SP/SP-GT/SR | 64 |
| Front Riggings - Power Elevating Legrest - Articulating (MPCTMT/MPCTMT-L) (Before 01/01/09) - TDX SP/SP-GT/SR | 62 |
| Front Riggings - Pwr. Articulating Legrest - Harness, Hdwr. & DLIAM (Dual Legs Integrated Actuator Module) | 60 |
| Front Riggings - Reference Chart - 70ST TAPER | 18 |
| Front Riggings - Reference Chart - AT5544, 60HD, 70NHD, PW93, PHW93 | 14 |
| Front Riggings - Reference Chart - P904, PAL4A, PHAL4A | 16 |
| Label Locations For TRBKTS Option | 12 |
| Packaging & Literature For 3G Storm Series | 8 |
| Packaging & Literature For TDX SP/SP-GT/SR | 10 |
| TRBKTS Option Clarification Reference | 13 |

A: READ THIS FIRST (THIS CATALOG IS DIFFERENT!)

Formula CG Powered Seating (CGE/CGT/CGTE/CGR/CGTR/CGTRE) parts catalog information is now divided into three separate catalogs.

The Form Numbers and Cover Titles are listed below.

Form # 06-106

Formula CG Powered Seating
(CGE/CGT/CGTE/CGR/CGTR/CGTRE)
For
3G Storm Series® and TDX®SP/SP-GT/SR

Form # 07-077

Formula CG Powered Seating
Front Riggings
For
3G Storm Series® and TDX®SP/SP-GT/SR

Form # 06-110

MK6i Electronics
(MK6i Electronics were introduced on or about 10/9/06)

Use all three form numbers to order a “complete” Parts Catalog.

Frame Finishes, Touch-Up Paints & Upholstery Options

Frame Finishes and Touch-Up Paint

| Color Number | Part Number | Bottle Size | Frame Finish |
|--------------|-------------|-------------|-------------------|
| 08P | 1031456-NLA | .6 oz. | Deep Purple |
| 17P | 1046319-NLA | .6 oz. | Cobalt Blue |
| 22P | 1033376-NLA | .6 oz. | Anthracite |
| 24P | 1031450-NLA | .6 oz. | Wet Black |
| 29P | 1031447-NLA | .6 oz. | White/ White Snow |
| 33P | 1031455-NLA | .6 oz. | Red |
| 34P | 1046327-NLA | .6 oz. | Flat Black |
| 61P | 1046321-NLA | .6 oz. | Electric Red |
| 62P | 1046320-NLA | .6 oz. | Electric Blue |
| 66P | 1046322-NLA | .6 oz. | Electric Purple |
| 69P | 1101320-NLA | .6 oz. | Teflon Black |
| 71P | N/A | N/A | Silver Vein |
| 84P | 1073896-NLA | .6 oz. | Lavender |
| 101P | 1101325-NLA | .6 oz. | Jeweled Green |
| 102P | 1101327-NLA | .6 oz. | Denim Blue |
| 104P | 1101316-NLA | .6 oz. | Electric Teal |
| 105P | 1101326-NLA | .6 oz. | Midnight Blue |
| 115P | N/A | N/A | Black Prism |
| 116P | 1133372-NLA | .6 oz. | Sunkissed Orange |
| 117P | 1133373-NLA | .6 oz. | Tangerine Red |
| 118P | N/A | N/A | Fruit Fusion |
| 119P | N/A | N/A | Bubblegum Pink |
| 120P | N/A | N/A | Grape Madness |
| 121P | N/A | N/A | Lolly Pop Blue |
| 122P | N/A | N/A | Cosmic Blue |
| 123P | N/A | N/A | Celestial Purple |
| 124P | N/A | N/A | Vivid Violet |
| 125P | N/A | N/A | Emerald Green |
| 126P | N/A | N/A | Shamrock Green |
| 127P | N/A | N/A | Grasshopper Green |

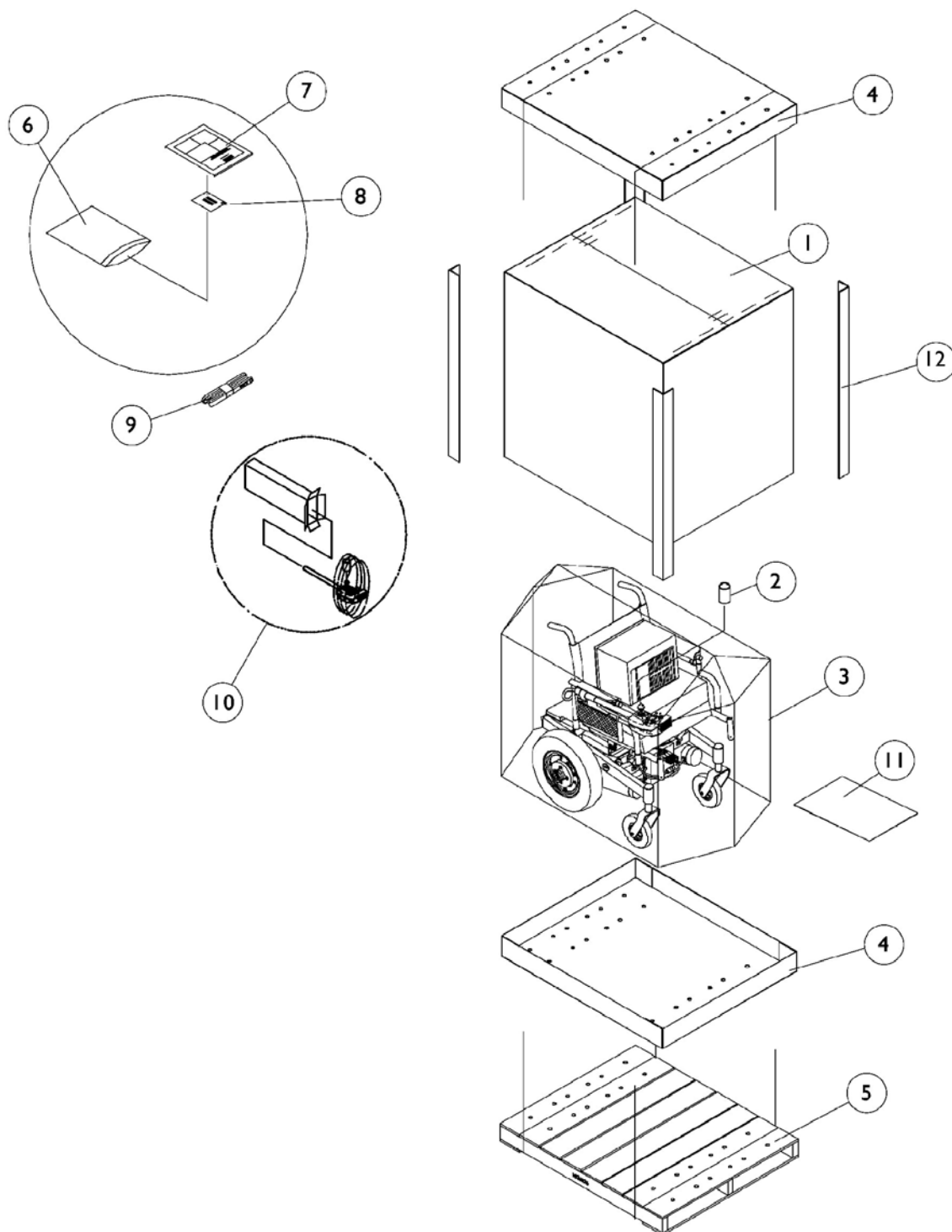
Frame Finishes, Touch-Up Paints & Upholstery Options

Upholstery Options For ADJASBA Seating w/ Sling Back Upholstery

| |
|-------------|
| Nylon Color |
| U240 Black |

Packaging & Literature

For 3G Storm Series

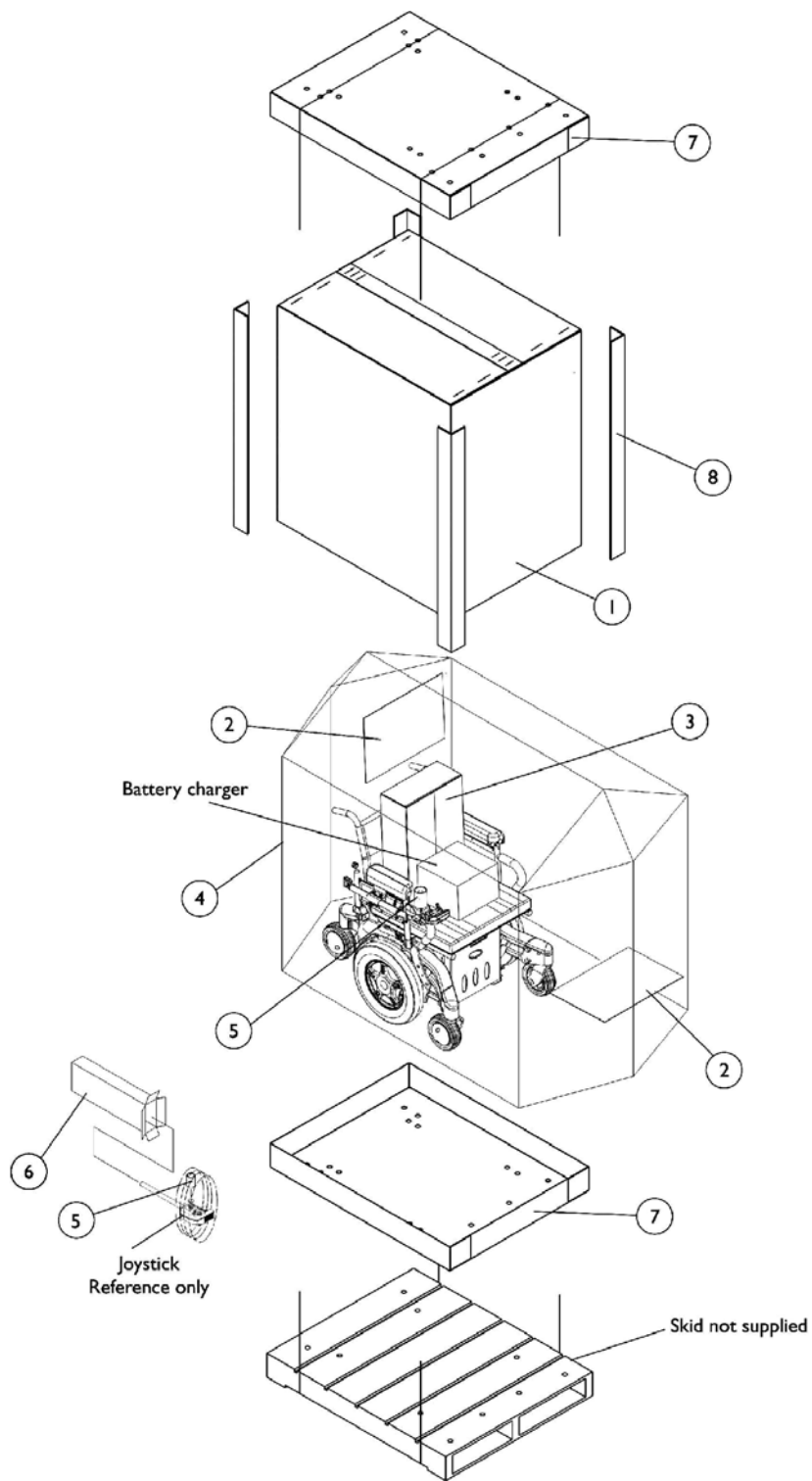


Packaging & Literature For 3G Storm Series

| Item Number | Note | Part Number | Description | Quantity Per | |
|--|------|---------------|--|--------------|----------|
| | | | | Package | Assembly |
| 1 | A | 1030364 | Carton, Cover | 1 | 1 |
| 1 | B | 1031682 | Carton, Cover | 1 | 1 |
| 1 | C | 1036028 | Carton, Cover | 1 | 1 |
| 2 | | 1043198-NLA | NLA - Tube, Paper | 1 | 1 |
| 3 | | 1015609-NLA | NLA - Bag, Poly (28" W x 44" D x 80" H) | 1 | 1 |
| 4 | D | 1030362 | Carton, Tray | 1 | 2 |
| 4 | E | 1036027 | Carton, Tray | 1 | 2 |
| 5 | F | See Note | See Footnote | 1 | 1 |
| 6 | | 1021149-NLA | NLA - Bag, Poly Zip-Lip (13" L x 9" W) | 1 | 1 |
| 7 | | 1143155-NLA | NLA - Owner's Manual, Formula CG Seating | 1 | 1 |
| 8 | | 00077X031-NLA | NLA - Warranty Card | 1 | 1 |
| 9 | | 50000X121 | Strap, Battery Lift | 1 | 1 |
| 10 | G | 1012001-NLA | NLA - Carton, Joystick | 1 | 1 |
| 10 | | 40131X011-NLA | NLA - Carton, Front Riggings | 1 | 1 |
| 11 | | 40131X161 | Insert, Plain Pad | 1 | 1 |
| 12 | A | 1115174 | Carton, Corner Reinforcement | 1 | 2 |
| 12 | B | 1129589-NLA | Carton, Corner Reinforcement | 1 | 2 |
| 12 | C | 1129590-NLA | Carton, Corner Reinforcement | 1 | 2 |
| <p>NOTE: A - 12" - 20" wide systems with base B - 16" - 20" wide systems medium/tall seat-to-floor heights with base C - 21" - 24" wide systems with base D - 12" - 20" wide systems with base E - 21" - 24" wide systems with base F - Skid not supplied G - Can use part #40131X011 for a Joystick also.</p> <p>NOTE: When adjusting or replacing parts, please refer to your Owner's Manual for assistance.</p> | | | | | |

Packaging & Literature

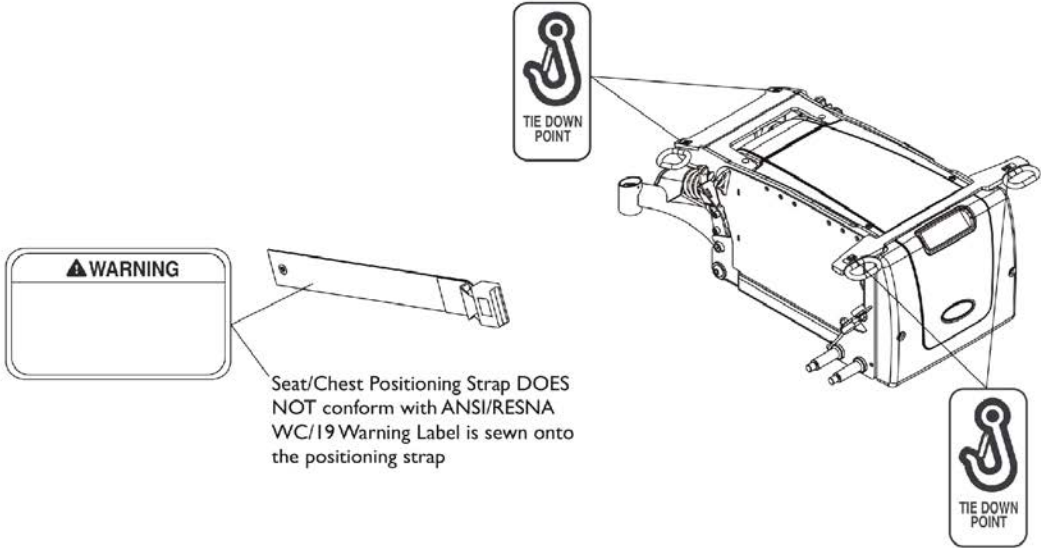
For TDX SP/SP-GT/SR



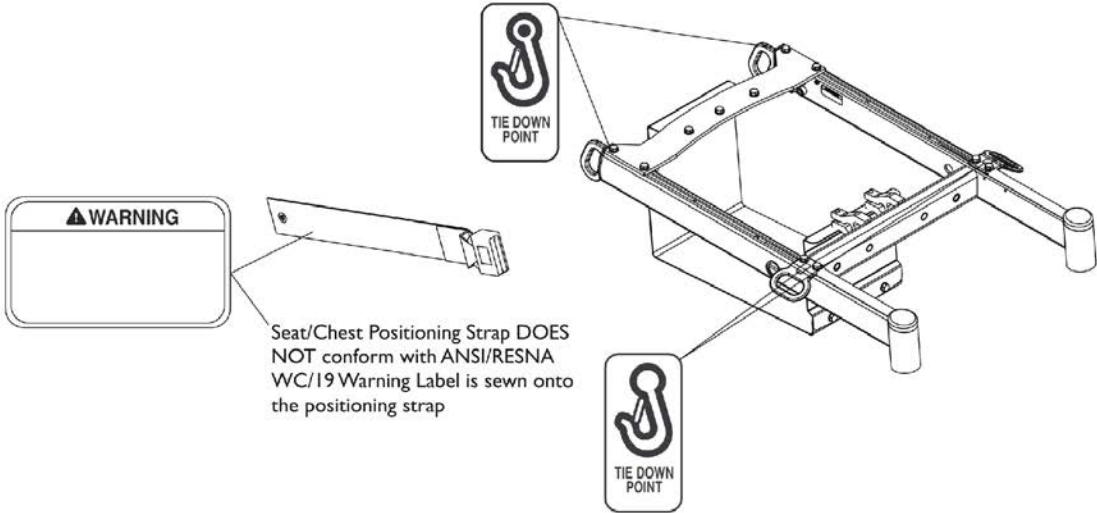
Packaging & Literature For TDX SP/SP-GT/SR

| Item Number | Note | Part Number | Description | Quantity Per | |
|--|------|---------------|--|--------------|----------|
| | | | | Package | Assembly |
| 1 | A | 1030364 | Carton, Cover | 1 | 1 |
| 1 | B | 1031682 | Carton, Cover | 1 | 1 |
| 1 | C | 1036028 | Carton, Cover | 1 | 1 |
| 2 | | 40131X161 | Insert, Plain Pad | 1 | 2 |
| 3 | | 40131X011-NLA | NLA - Carton, Front Riggings | 1 | 1 |
| 4 | | 1015592 | Bag, Poly (72" L x 35" W x 19" D) | 1 | 1 |
| 5 | | 1043198-NLA | NLA - Tube, Paper | 1 | 1 |
| 6 | | 1012001-NLA | NLA - Carton, Joystick | 1 | 1 |
| 7 | D | 1030362 | Carton, Tray | 1 | 2 |
| 7 | E | 1036027 | Carton, Tray | 1 | 2 |
| 8 | D | 1115174 | Carton, Corner Reinforcement | 1 | 4 |
| 8 | B | 1129589-NLA | Carton, Corner Reinforcement | 1 | 4 |
| 8 | E | 1129590-NLA | Carton, Corner Reinforcement | 1 | 4 |
| | | 00077X031-NLA | NLA - Warranty Card | 1 | 1 |
| | F | 1143155-NLA | NLA - Owner's Manual, Formula CG Seating | 1 | 1 |
| <p>NOTE: A - 12"-20" wide systems with base B - 16"-20" wide systems medium/tall seat-to-floor heights with base C - 21"-24" wide systems with base D - 12"-20" wide systems with base E - 21"-24" wide systems with base F - Not Shown</p> <p>When adjusting or replacing parts, please refer to your Owner's Manual for assistance.</p> | | | | | |

Label Locations For TRBKTS Option



TRBKTS Option Label Locations For TDX SP



TRBKTS Option Label Locations For 3G Storm Series

TRBKTS Option Clarification Reference

TRBKTS Option is an On-Chair option only.

About TRBKTS Transport Ready Package

TRBKTS includes four factory-installed wheelchair transport brackets. **TRBKTS** has not been crash-tested in accordance with WC 19. Use these transport brackets only to secure an unoccupied wheelchair during transport.

Only use the transport brackets included with **TRBKTS** for the purpose described in the appropriate Owner's Operator and Maintenance Manual.

Battery support brackets **MUST** be installed at all times. Otherwise, the wheelchair will not be WC/19 compliant. Refer to Removing/Installing the Batteries From/Into the Wheelchair in the appropriate Owner's Operator and Maintenance Manual.

As of this date, the Department of Transportation has not approved any tie-down systems for transportation of a user while in a wheelchair, in a moving vehicle of any type. It is Invacare's position that users of wheelchairs should be transferred into appropriate seating in vehicles for transportation and use be made of the restraints made available by the auto industry. Invacare cannot and does not recommend any wheelchair transportation systems.

NOTE: ANSI = American National Standards Institute, RESNA = Rehabilitation Engineering and Assistive Technology Society of North America.

Front Riggings Reference Chart

For AT5544, 60HD, 70NHD, PW93, PHW93

NOTE: Calf pads with attaching hardware not included on legrest.

NOTE: Pivot/ Slide tube attaching hardware not included.

NOTE: Pivot/Slide tube and footplates do not include heel loops. See footrest and legrest accessories.

| |
|---|
| 1651 = Composite footplate with 9-7/8" curved pivot/ slide tube. |
| AT5543 = Adjustable angle footplate with 9-7/8" straight pivot/ slide tube. |
| 1350 = Extra large footplate with "L" style pivot/ slide tube. |

Support Assemblies

Pivot/Slide tube and footplates are interchangeable with the support assemblies listed.

| Rigging Type | AT5544 | 60HD | 70NHD | PW93 | PHW93 |
|---------------|------------------|------------------|------------------|------------------|------------------|
| Right | 8881045291 | 8881053158 | 8881053149 | 8881070776 | 8881126089 |
| See Note(s) C | See Note(s) A, B | See Note(s) C, A | See Note(s) A, B | See Note(s) A, C | See Note(s) A, D |
| Left | 8881045292 | 8881053157 | 8881053148 | 8881070777 | 8881126090 |
| | See Note(s) A, B | See Note(s) A, C | See Note(s) B, A | See Note(s) C, A | See Note(s) A, D |

NOTE: A - Specify frame color when ordering, see page titled "Frame Finishes and Touch-Up Paints".
 B - Offered on 3G Storm Series and TDX SP/SR models.
 C - Offered on 3G Storm Series models.
 D - Offered on TDX SP/SR models.

Pivot/ Slide Tube and Footplates

| Footplate Type | 1651 13-14" W | 1651 15-16" W | 1651 17-24" W | 1350 17-24" W | AT5543 12-13" W | AT5543 14-15" W | AT5543 16-24" W |
|----------------|------------------|------------------|------------------|------------------|--------------------|--------------------|--------------------|
| Right | 1057859 | 1057869 | 1057879 | 1026395 | 1060442 | 1060444 | 1062756 |
| Left | 1057860 | 1057870 | 1057880 | 1026396 | 1060443 | 1060445 | 1062757 |

Front Riggings Reference Chart
For AT5544, 60HD, 70NHD, PW93, PHW93
2" Longer Pivot/ Slide Tube and Footplates

| Footplate Type | 1651 13-14" W | 1651 15-16" W | 1651 17-24" W | 1350 17-24" W | AT5543 12-13" W | AT5543 14-15" W | AT5543 16-24" W |
|----------------|------------------|------------------|------------------|------------------|--------------------|--------------------|--------------------|
| Right | 1057861 | 1057871 | 1057881 | 1086515 | N/A | 1062758 | 1062760 |
| Left | 1057862-NLA | 1057872 | 1057882 | 1086517 | N/A | 1062759 | 1062761 |

4" Longer Pivot/ Slide Tube and Footplates

| Footplate Type | 1651 13-14" W | 1651 15-16" W | 1651 17-24" W | 1350 17-24" W | AT5543 12-13" W | AT5543 14-15" W | AT5543 16-24" W |
|----------------|------------------|------------------|------------------|------------------|--------------------|--------------------|--------------------|
| Right | 1058419-NLA | 1058421 | 1058423 | 1086516 | 1121136-NLA | 1121138-NLA | 1121140 |
| Left | 1058420-NLA | 1058422 | 1058424 | 1086518 | 1121137-NLA | 1121139-NLA | 1121141 |

Front Riggings Reference Chart

For P904, PAL4A, PHAL4A

NOTE: Calf pads with attaching hardware not included on legrest.

NOTE: Pivot/Slide tube attaching hardware not included.

NOTE: Pivot/Slide tube and footplates do not include heel loops. See footrest and legrest accessories.

| |
|--|
| 1650 = Aluminum footplate with "L" style pivot/slide tube. |
| AT5543 = Adjustable angle footplate with 9-7/8" straight pivot/slide tube. |
| 1350 = Extra large footplate with "L" style pivot/slide tube. |

Support Assembly

Pivot/Slide tube and footplates are interchangeable with the support assemblies listed.

| Rigging Type | P904 |
|--------------|--|
| Right | 8881058646-NLA See Note(s) B, A |
| Left | 8881058647-NLA See Note(s) A, B |

NOTE: A - Specify Frame Color when ordering, see page titled "Frame Color and Touch-Up Paint".
B - Offered on 3G Storm Series models only

Pivot/Slide Tube and Footplates

| Footplate Type | 1650 14-15" W | 1650 16-24" W | 1350 17-24" W | AT5543 14-15" W | AT5543 16-24" W |
|----------------|------------------|------------------|------------------|--------------------|--------------------|
| Right | 1058612-NLA | 1058604 | 1058830 | 1060444 | 1062756 |
| Left | 1058613-NLA | 1058605 | 1058831 | 1060445 | 1062757 |

2" Longer Pivot/Slide Tube and Footplates

| Footplate Type | 1650 14-15" W | 1650 16-24" W | 1350 17-24" W | AT5543 14-15" W | AT5543 16-24" W |
|----------------|------------------|------------------|------------------|--------------------|--------------------|
| Right | N/A | 1086529-NLA | 1086541-NLA | 1062758 | 1062760 |
| Left | N/A | 1086531-NLA | 1086551-NLA | 1062759 | 1062761 |

Front Riggings Reference Chart

For P904, PAL4A, PHAL4A

4" Longer Pivot/Slide Tube and Footplates

| Footplate Type | 1650 14-15" W | 1650 16-24" W | 1350 17-24" W | AT5543 14-15" W | AT5543 16-24" W |
|----------------|------------------|------------------|------------------|--------------------|--------------------|
| Right | N/A | 1086530-NLA | 1086542-NLA | N/A | N/A |
| Left | N/A | 1086532-NLA | 1086552-NLA | N/A | N/A |

Support Assembly

Pivot/Slide tube and footplates are interchangeable with the support assemblies listed.

| Rigging Type | PAL4A/PHAL4A (Chrome Only) |
|---------------------------------|----------------------------|
| PAL4A - Right See Note(s) A | 1058482-NLA |
| PAL4A - Left See Note(s) A | 1058483-NLA |
| PHAL4A - Right See Note(s) B | 1031437-NLA |
| PHAL4A - Left See Note(s) B | 1031438-NLA |

NOTE: A - Offered on 3G Storm Series models only
B - Offered on TDX SP models only

Pivot/Slide Tube and Footplates

| Footplate Type | 1650 14-15" W | 1650 16-24" W | 1350 17-24" W | AT5543 14-15" W | AT5543 16-24" W |
|----------------|------------------|------------------|------------------|--------------------|--------------------|
| Right | 1023905-NLA | 1023907 | 1035456 | 1091775-NLA | 1091777-NLA |
| Left | 1023906-NLA | 1023908 | 1035457 | 1091776-NLA | 1091778-NLA |

Front Riggings Reference Chart For 70ST TAPER

NOTE: Pivot/Slide tube attaching hardware not included.

NOTE: Pivot/Slide tube and footplates do not include heel loops. See footrest and legrest accessories.

| |
|---|
| 1651 = Composite footplate with 9-7/8" curved pivot/slide tube. |
|---|

Support Assemblies

Pivot/Slide tube and footplates are interchangeable with the support assemblies listed.

| Rigging Type | 70ST TAPER |
|--------------|------------------------------------|
| Right | 8881026996 See Note(s) B, A |
| Left | 8881026997 See Note(s) B, A |

NOTE: A - Specify frame color when ordering, see page titled "Frame Finishes and Touch-Up Paints".
B - Offered on 3G Storm Series and TDX SP/SR models

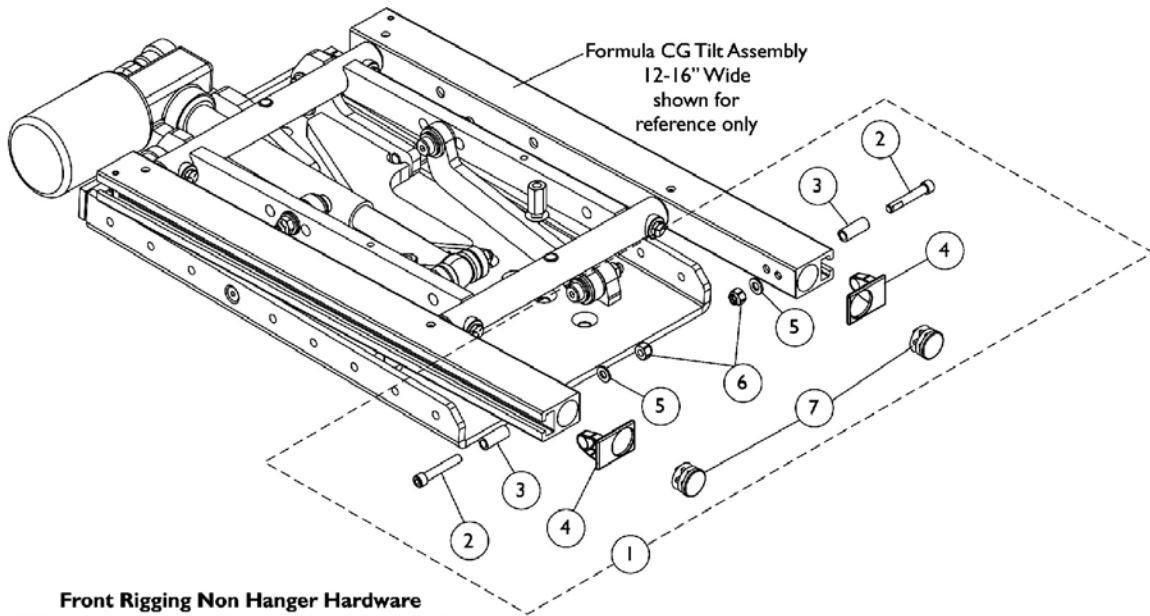
Pivot/Slide Tube and Footplates

| Footplate Type | 1651 15-17" W | 1651 18-19" W | 1651 20-24" W |
|----------------|------------------|------------------|------------------|
| Right | 1057859 | 1057869 | 1057879 |
| Left | 1057860 | 1057870 | 1057880 |

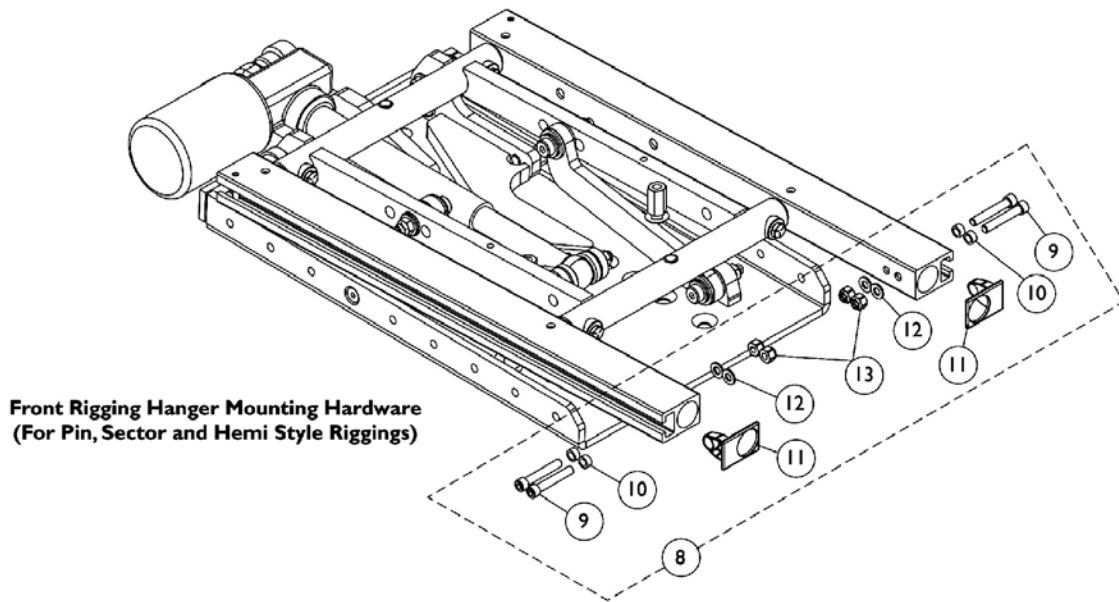
2" Longer Pivot/Slide Tube and Footplates

| Footplate Type | 1651 15-17" W | 1651 18-19" W | 1651 20-24" W |
|----------------|------------------|------------------|------------------|
| Right | 1057861 | 1057871 | 1057881 |
| Left | 1057862-NLA | 1057872 | 1057882 |

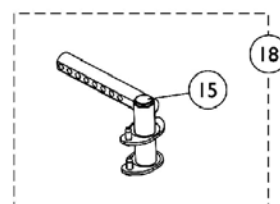
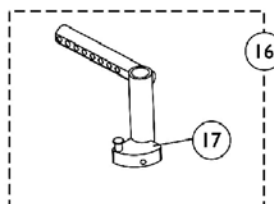
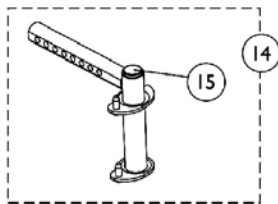
Front Rigging Hangers and Hardware Pin, Sector and Hemi Style (12"-16" Wide) (CGT)



**Front Rigging Non Hanger Hardware
(When Front Rigging Is Excluded From Chair)**



**Front Rigging Hanger Mounting Hardware
(For Pin, Sector and Hemi Style Riggings)**



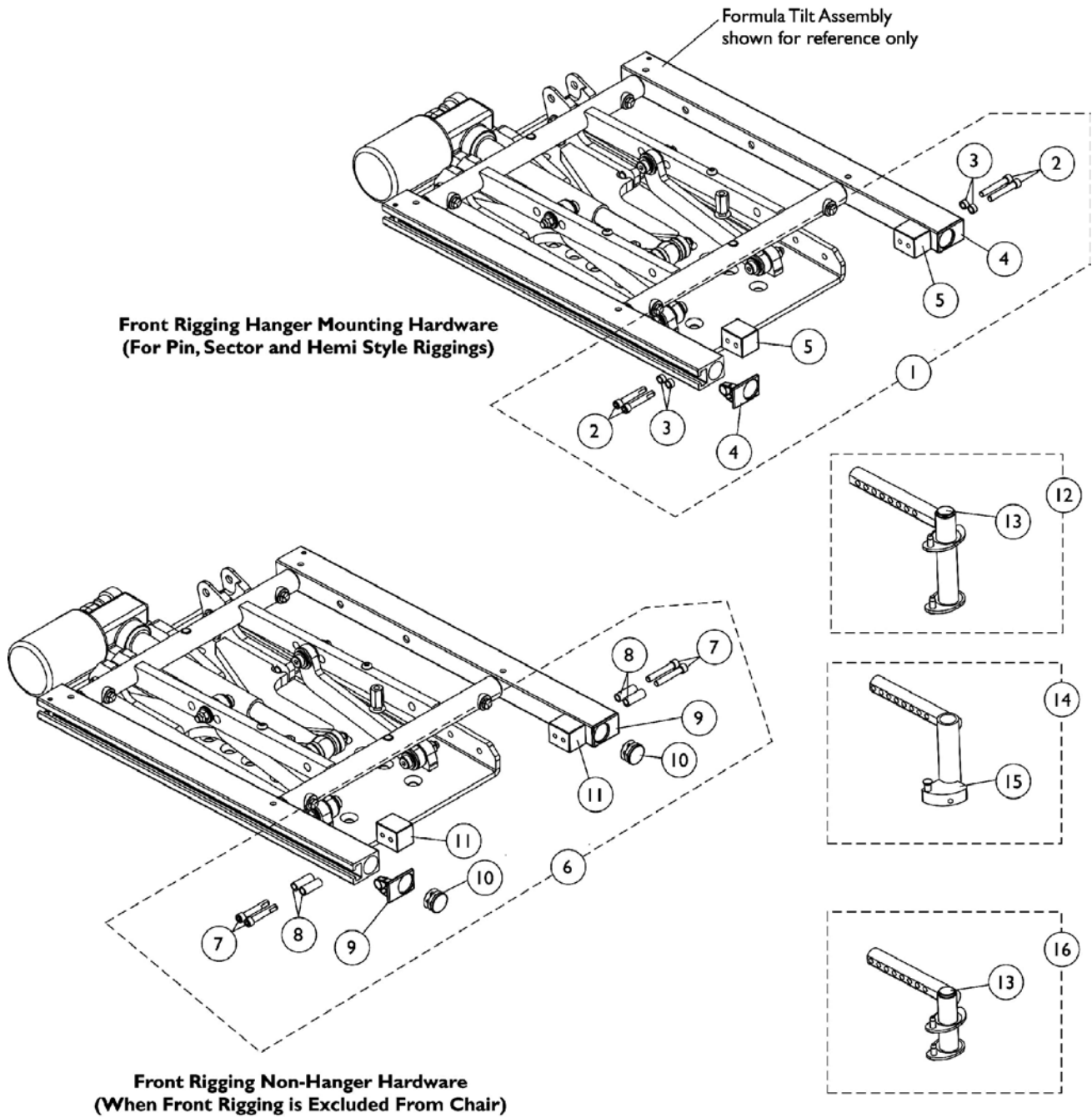
Front Rigging Hangers and Hardware Pin, Sector and Hemi Style (12"-16" Wide) (CGT)

| Item Number | Note | Part Number | Description | Quantity Per | |
|-------------|------|-------------|---|--------------|----------|
| | | | | Package | Assembly |
| 1 | A | 1126150 | Kit, Side Rail Cap Hardware | 2 | 1 |
| 2 | | | Screw, Socket Head Cap w/ Patch (1/4-20 x 1-1/2") | 1 | 2 |
| 3 | | | Spacer (1/4 x 3/8 x 29/32") | 1 | 2 |
| 4 | | | Cap, End, Side Rail, Black | 1 | 2 |
| 5 | | | Washer (1/4 x 1/2 x 1/16") | 1 | 2 |
| 6 | | | Locknut (1/4-20) | 1 | 2 |
| 7 | | | Plug Button, Black (7/8") | 1 | 2 |
| 8 | B | 1136019 | Kit, Front Rigging Hanger Mounting Hardware | 2 | 1 |
| 9 | | | Screw, Socket Head Cap w/ Patch (1/4-20 x 1-1/2") | 1 | 4 |
| 10 | | | Spacer (1/4 x 3/8 x 3/16") | 1 | 4 |
| 11 | | | Cap, End, Side Rail, Black | 1 | 2 |
| 12 | | | Washer (1/4 x 1/2 x 1/16") | 1 | 4 |
| 13 | | | Locknut (1/4-20) | 1 | 4 |
| 14 | | 1143781 | Front Rigging Hanger Assembly w/ Plug Button, Pin Style, Adult, Black - Right | 1 | 1 |
| 14 | | 1143782 | Front Rigging Hanger Assembly w/ Plug Button, Pin Style, Adult, Black - Left | 1 | 1 |
| 15 | | 1134426 | Package, Plug Button, Black (3/4") | 10 | 1 |
| 16 | C | 1143416 | Front Rigging Hanger Assembly w/ Sector Block, Black - Right | 1 | 1 |
| 16 | C | 1143417 | Front Rigging Hanger Assembly w/ Sector Block, Black - Left | 1 | 1 |
| 17 | D | 1054571 | Kit, Sector Block - Right | 1 | 1 |
| 17 | D | 1054572 | Kit, Sector Block - Left | 1 | 1 |
| 18 | E | 1143783 | Front Rigging Hanger Assembly w/ Plug Button, Hemi, Black - Right | 1 | 1 |
| 18 | E | 1143784 | Front Rigging Hanger Assembly w/ Plug Button, Hemi, Black - Left | 1 | 1 |

NOTE: A - Includes items 2-7
B - Includes items 9-13
C - Includes Front Rigging Hanger and item 17
D - Includes the Sector Block, Screw and Washer
E - Used for TDX SP/SR models only

Front Rigging Hangers and Hardware

Pin, Sector and Hemi Style (16"-24" Wide) (CGT/CGTE)

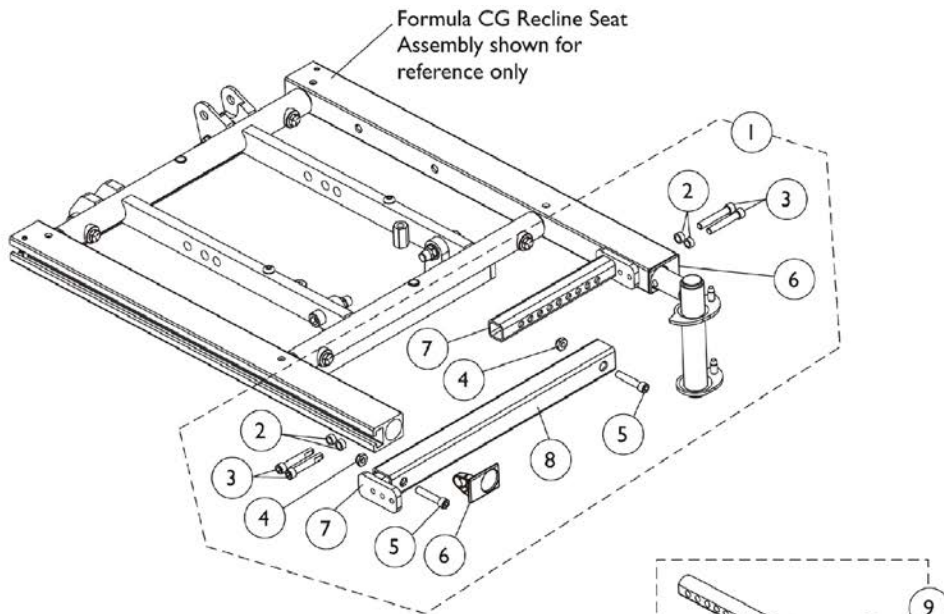


Front Rigging Hangers and Hardware Pin, Sector and Hemi Style (16"-24" Wide) (CGT/CGTE)

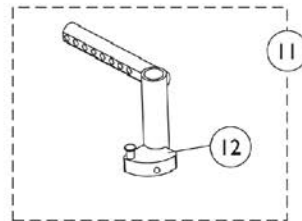
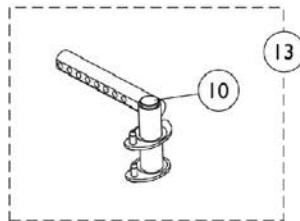
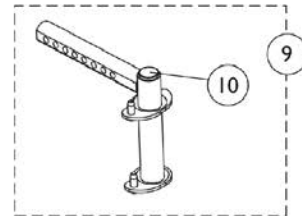
| Item Number | Note | Part Number | Description | Quantity Per | |
|-------------|------|-------------|---|--------------|----------|
| | | | | Package | Assembly |
| 1 | A | 1125726 | Kit, Front Rigging Hanger Mounting Hardware (Pair) | 1 | 1 |
| 2 | | | Screw, Socket Head Cap w/ Patch (1/4-20 x 1-1/2") | 1 | 4 |
| 3 | | | Spacer (1/4 x 3/8 x 3/16") | 1 | 4 |
| 4 | | | Cap, End, Side Rail, Black | 1 | 2 |
| 5 | | | Block, Threaded | 1 | 2 |
| 6 | B | 1124723 | Kit, Side Rail Cap Hardware (Pair) | 1 | 1 |
| 7 | | | Screw, Socket Head Cap w/ Patch (1/4-20 x 1-1/2") | 1 | 4 |
| 8 | | | Spacer (1/4 x 3/8 x 29/32") | 1 | 4 |
| 9 | | | Cap, End, Side Rail, Black | 1 | 2 |
| 10 | | | Plug Button, Black (1") | 1 | 2 |
| 11 | | | Block, Threaded | 1 | 2 |
| 12 | | 1143781 | Front Rigging Hanger Assembly w/ Plug Button, Pin Style, Adult, Black - Right | 1 | 1 |
| 12 | | 1143782 | Front Rigging Hanger Assembly w/ Plug Button, Pin Style, Adult, Black - Left | 1 | 1 |
| 13 | | 1134426 | Package, Plug Button, Black (3/4") | 10 | 1 |
| 14 | C | 1143416 | Front Rigging Hanger Assembly w/ Sector Block, Black - Right | 1 | 1 |
| 14 | C | 1143417 | Front Rigging Hanger Assembly w/ Sector Block, Black - Left | 1 | 1 |
| 15 | D | 1054571 | Kit, Sector Block - Right | 1 | 1 |
| 15 | D | 1054572 | Kit, Sector Block - Left | 1 | 1 |
| 16 | E | 1143783 | Front Rigging Hanger Assembly w/ Plug Button, Hemi, Black - Right | 1 | 1 |
| 16 | E | 1143784 | Front Rigging Hanger Assembly w/ Plug Button, Hemi, Black - Left | 1 | 1 |

NOTE: A - Includes items 2-5
B - Includes items 7-11
C - Includes Front Rigging Hanger and item 15
D - Includes the Sector Block, Screw and Washer
E - Used for TDX SP/SR models only

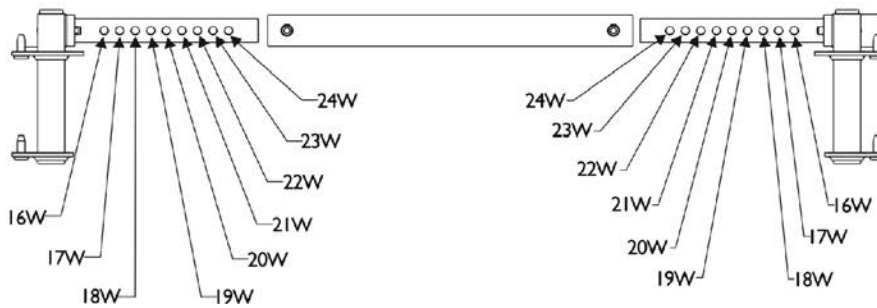
Front Rigging Hangers and Hardware Pin, Sector and Hemi Style (16"-24" Wide) (CGR, CGTR, CGTRE)



**Front Rigging Hanger Mounting Hardware
(For Pin and Sector Style Riggings)**



Width Adjustment Detail



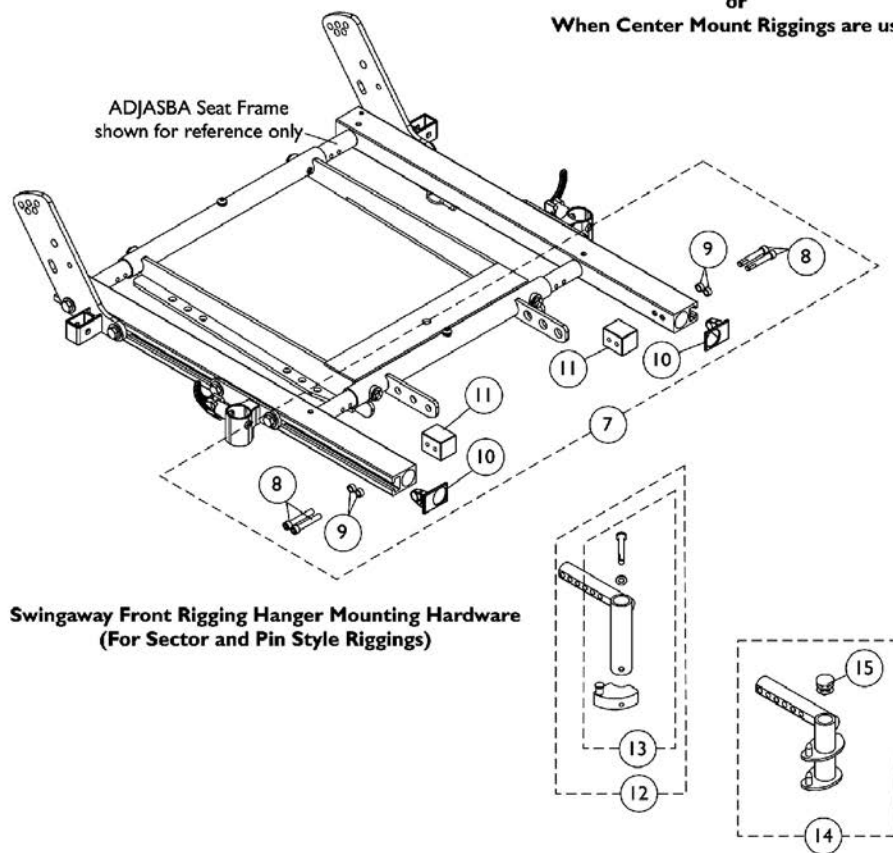
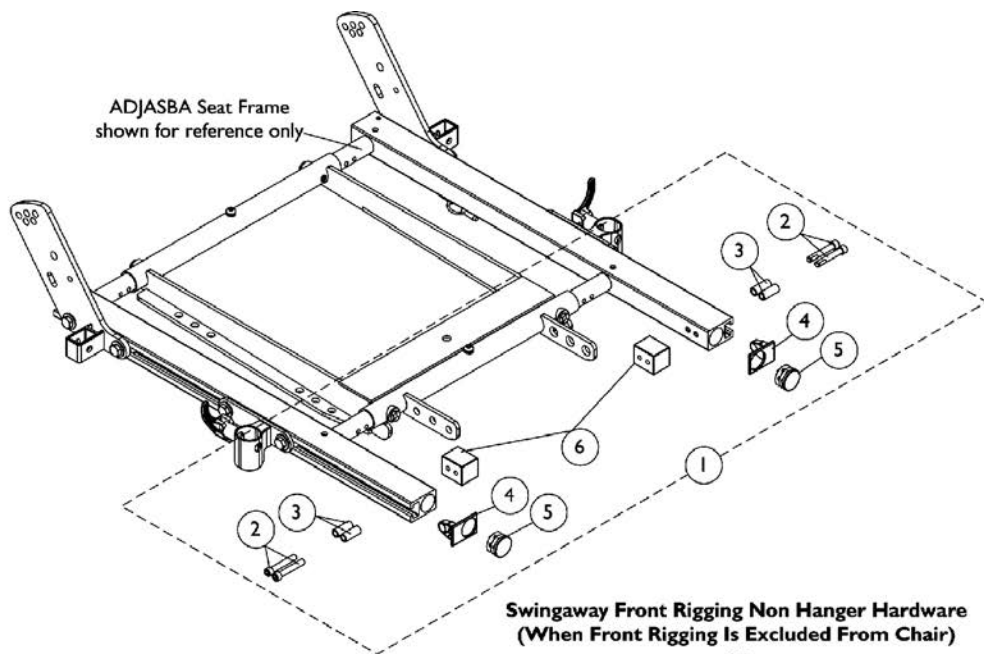
Front Rigging Hangers and Hardware

Pin, Sector and Hemi Style (16"-24" Wide) (CGR, CGTR, CGTRE)

| Item Number | Note | Part Number | Description | Quantity Per | |
|-------------|------|-------------|--|--------------|----------|
| | | | | Package | Assembly |
| 1 | A | 1172005 | Kit, Front Center Seat Frame Crossmember w/ Hardware | 1 | 1 |
| 2 | | | Spacer (1/4 x 3/8 x 3/16") | 1 | 4 |
| 3 | | | Screw, Socket Head Cap w/ Patch (1/4-20 x 1-1/2") | 1 | 4 |
| 4 | | | Locknut (1/4-20) | 1 | 2 |
| 5 | | | Screw, Socket Head (1/4-20 x 1-1/4") | 1 | 2 |
| 6 | | | Cap, End, Side Rail, Black | 1 | 2 |
| 7 | | | Support, Seat Pan (16-24" Wide) | 1 | 2 |
| 8 | | | Crossmember, Front Center Seat Frame, Black | 1 | 1 |
| 2 | | 1047449 | Spacer (1/4 x 3/8 x 3/16") | 1 | 4 |
| 3 | | 1038379 | Screw, Socket Head Cap w/ Patch (1/4-20 x 1-1/2") | 1 | 4 |
| 4 | | 1025195 | Locknut (1/4-20) | 1 | 2 |
| 5 | | 1003545 | Screw, Socket Head (1/4-20 x 1-1/4") | 1 | 2 |
| 6 | | 1120286 | Cap, End, Side Rail, Black | 1 | 2 |
| 7 | | 1121728 | Support, Seat Pan (16-24" Wide) | 1 | 2 |
| 8 | | 1121714 | Crossmember, Front Center Seat Frame, Black | 1 | 1 |
| 9 | | 1143781 | Front Rigging Hanger Assembly w/ Plug Button, Pin Style, Adult, Black - Right | 1 | 1 |
| 9 | | 1143782 | Front Rigging Hanger Assembly w/ Plug Button, Pin Style, Adult, Black - Left | 1 | 1 |
| 10 | | 1134426 | Package, Plug Button, Black (3/4") | 10 | 1 |
| 11 | B | 1143416 | Front Rigging Hanger Assembly w/ Sector Block, Black - Right | 1 | 1 |
| 11 | B | 1143417 | Front Rigging Hanger Assembly w/ Sector Block, Black - Left | 1 | 1 |
| 12 | C | 1054571 | Kit, Sector Block - Right | 1 | 1 |
| 12 | C | 1054572 | Kit, Sector Block - Left | 1 | 1 |
| 13 | D | 1143783 | Front Rigging Hanger Assembly w/ Plug Button, Hemi, Black - Right | 1 | 1 |
| 13 | D | 1143784 | Front Rigging Hanger Assembly w/ Plug Button, Hemi, Black - Left | 1 | 1 |

NOTE: A - Includes items 2-8
B - Includes Front Rigging Hanger and item 12
C - Includes the Sector Block, Screw and Washer
D - Used for TDX SP/SR models only

Front Rigging Hangers and Hardware Pin & Sector Style (16"-22" Wide) (CGE) For TDX SP/SP-GT/SR

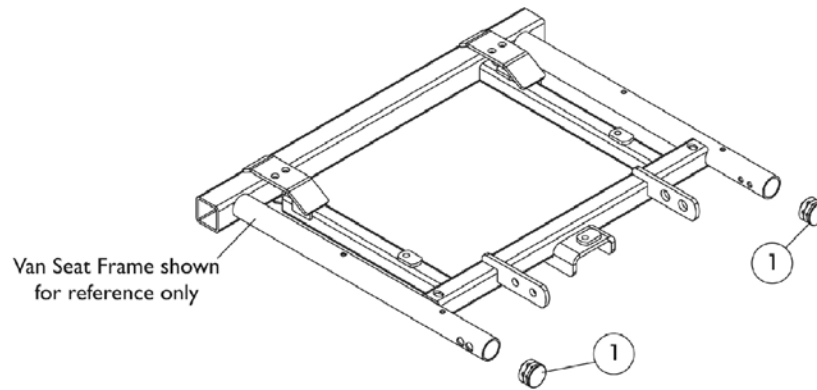


Front Rigging Hangers and Hardware

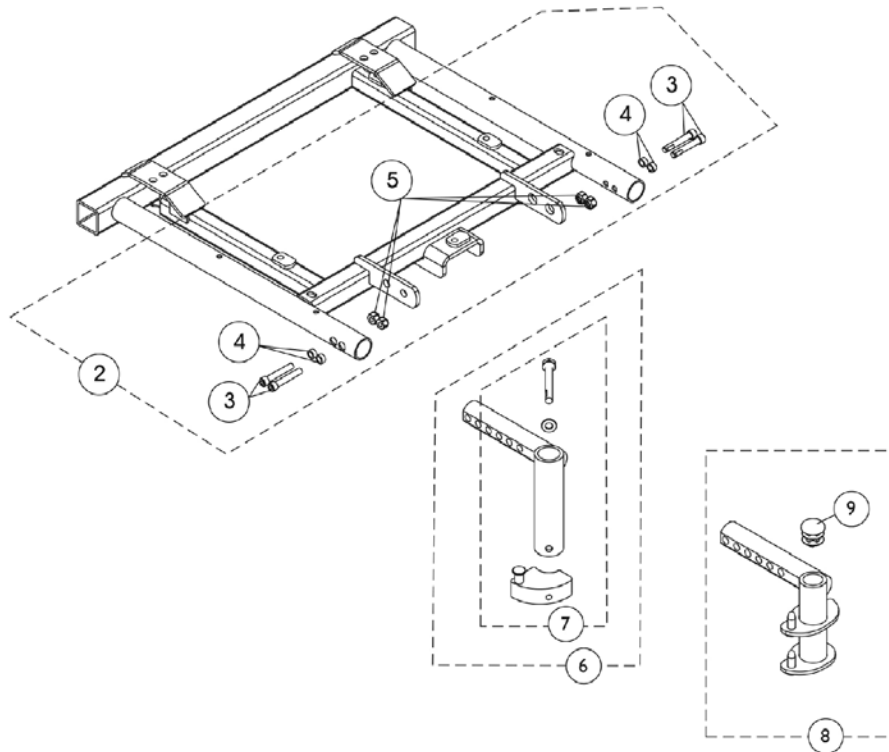
Pin & Sector Style (16"-22" Wide) (CGE) For TDX SP/SP-GT/SR

| Item Number | Note | Part Number | Description | Quantity Per | |
|--|------|-------------|--|--------------|----------|
| | | | | Package | Assembly |
| 1 | A | 1124723 | Kit, Side Rail Cap Hardware (Pair) | 1 | 1 |
| 2 | | | Screw, Socket Head Cap w/ Patch (1/4-20 x 1-1/2") | 1 | 4 |
| 3 | | | Spacer (1/4 x 3/8 x 29/32") | 1 | 4 |
| 4 | | | Cap, End, Side Rail, Black | 1 | 2 |
| 5 | | | Plug Button, Black (1") | 1 | 2 |
| 6 | | | Block, Threaded | 1 | 2 |
| 7 | B | 1125726 | Kit, Front Rigging Hanger Mounting Hardware (Pair) | 1 | 1 |
| 8 | | | Screw, Socket Head Cap w/ Patch (1/4-20 x 1-1/2") | 1 | 4 |
| 9 | | | Spacer (1/4 x 3/8 x 3/16") | 1 | 4 |
| 10 | | | Cap, End, Side Rail, Black | 1 | 2 |
| 11 | | | Block, Threaded | 1 | 2 |
| 12 | C | 1122602 | Front Rigging Hanger Assembly w/ Sector Block, Black - Right | 1 | 1 |
| 12 | C | 1122603 | Front Rigging Hanger Assembly w/ Sector Block, Black - Left | 1 | 1 |
| 13 | D | 1054571 | Kit, Sector Block - Right | 1 | 1 |
| 13 | D | 1054572 | Kit, Sector Block - Left | 1 | 1 |
| 14 | | 1124401 | Front Rigging Hanger Assembly w/ Plug Button, Pin Style, Hemi, Black - Right | 1 | 1 |
| 14 | | 1124402 | Front Rigging Hanger Assembly w/ Plug Button, Pin Style, Hemi, Black - Left | 1 | 1 |
| 15 | | 1134426 | Package, Plug Button, Black (3/4") | 10 | 1 |
| NOTE: A - Includes items 2-6 B - Includes items 8-11 C - Includes item 13 D - Includes Sector Block, Screw and Washer | | | | | |

Front Rigging Hangers and Hardware For Van Seat



Swingaway Front Rigging Non-Hanger Hardware
(When Front Rigging Is Excluded From Chair)
Or
When Center Mount Riggings are used

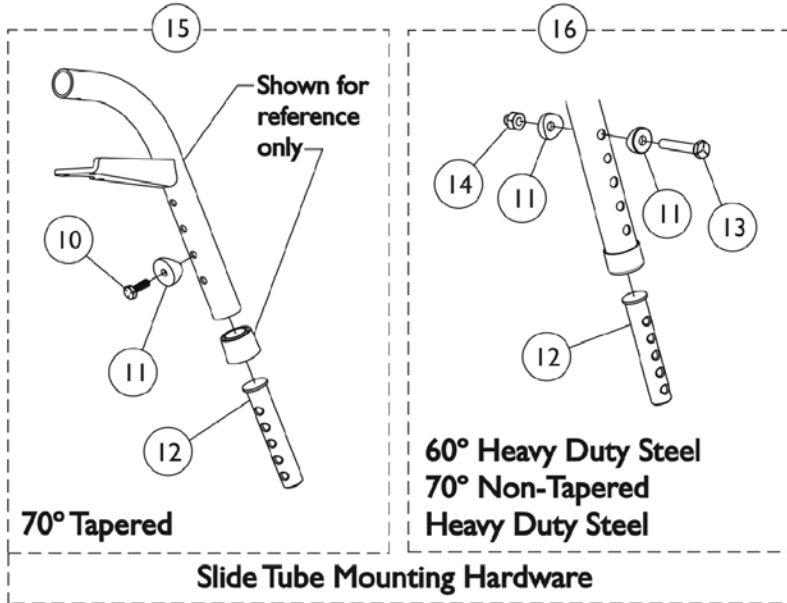
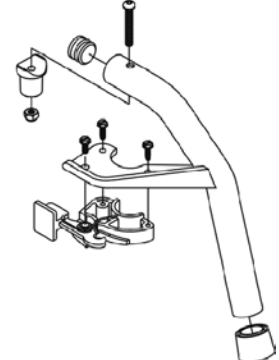
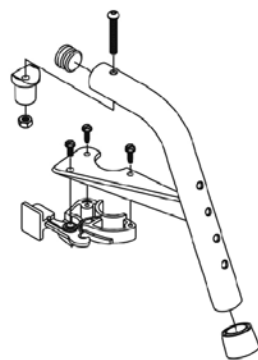
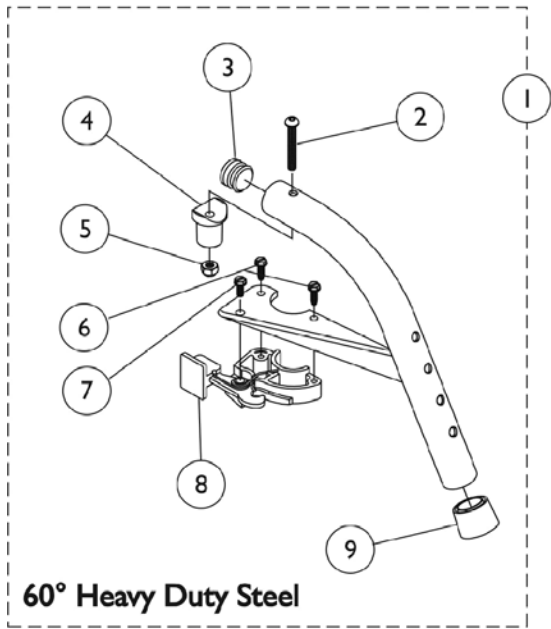


Swingaway Front Rigging Hanger Mounting Hardware
(For Sector and Pin Style riggings)

Front Rigging Hangers and Hardware For Van Seat

| Item Number | Note | Part Number | Description | Quantity Per | |
|---|------|-------------|---|--------------|----------|
| | | | | Package | Assembly |
| 1 | | 1134425 | Package, Plug Button, Black (1") | 10 | 1 |
| 2 | A | 1148228 | Kit, Front Rigging Hanger Hardware For Van Seat | 2 | 1 |
| 3 | | | Screw, Socket Head Cap w/ Patch (1/4-20 x 1-1/2") | 1 | 4 |
| 4 | | | Spacer (1/4 x 3/8 x 3/16") | 1 | 4 |
| 5 | | | Locknut (1/4-20) | 1 | 4 |
| 6 | B | 1143416 | Front Rigging Hanger Assembly w/ Sector Block, Black - Right | 1 | 1 |
| 6 | B | 1143417 | Front Rigging Hanger Assembly w/ Sector Block, Black - Left | 1 | 1 |
| 7 | C | 1054571 | Kit, Sector Block - Right | 1 | 1 |
| 7 | C | 1054572 | Kit, Sector Block - Left | 1 | 1 |
| 8 | D | 1143783 | Front Rigging Hanger Assembly w/ Plug Button, Hemi, Black - Right | 1 | 1 |
| 8 | D | 1143784 | Front Rigging Hanger Assembly w/ Plug Button, Hemi, Black - Left | 1 | 1 |
| 9 | | 1134426 | Package, Plug Button, Black (3/4") | 10 | 1 |
| NOTE: A - Includes items 3-5. B - Includes item 8. C - Includes Sector Block, Screw and Washer. D - Includes item 9 Plug Button. | | | | | |

Footrest Support Assemblies Sector Style

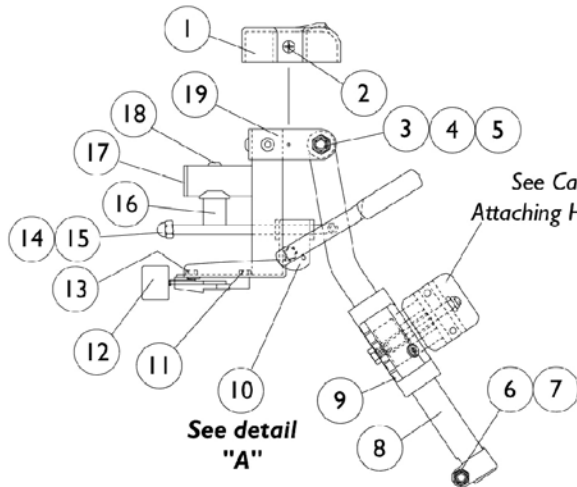


Footrest Support Assemblies Sector Style

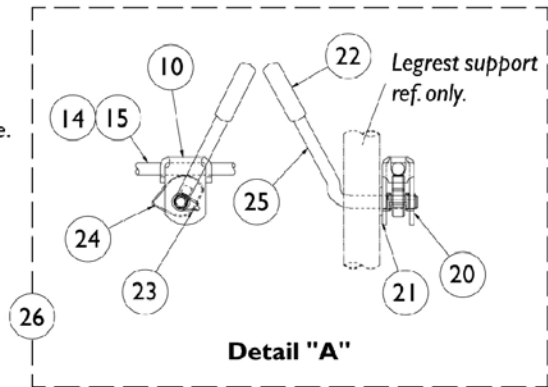
| Item Number | Note | Part Number | Description | Quantity Per | |
|-------------|-------|-------------|--|--------------|----------|
| | | | | Package | Assembly |
| 1 | A,C,G | 8881053158 | Footrest Support Assembly, 60 Degree Heavy Duty, Sector, Color - Right | 1 | 1 |
| 1 | A,C,G | 8881053157 | Footrest Support Assembly, 60 Degree Heavy Duty, Sector, Color - Left | 1 | 1 |
| 1 | A,D,G | 8881053149 | Footrest Support Assembly, 70 Degree Non-Tapered Heavy Duty, Sector, Color - Right | 1 | 1 |
| 1 | A,D,G | 8881053148 | Footrest Support Assembly, 70 Degree Non-Tapered Heavy Duty, Sector, Color - Left | 1 | 1 |
| 1 | A,E,H | 8881026996 | Footrest Support Assembly, 70 Degree Tapered, Sector, Color - Right | 1 | 1 |
| 1 | A,E,H | 8881026997 | Footrest Support Assembly, 70 Degree, Tapered, Sector, Color - Left | 1 | 1 |
| 2 | | 1001762 | Screw, Socket Button Head (1/4-20 x 1-3/4") | 1 | 1 |
| 3 | J | 1029501 | Plug Button, Black (1") | 1 | 1 |
| 3 | J | 1056328 | Plug Button, Black (1") | 1 | 1 |
| 4 | | 1017148 | Pivot, Footrest | 1 | 1 |
| 5 | | 1025736 | Locknut (1/4-20) | 1 | 1 |
| 6 | | 1025451 | Screw, Slotted Hex Washer Head (#10-32 x 5/8") | 1 | 2 |
| 7 | | 1017423 | Screw, Slotted Hex Washer Head w/ Patch (#10-32 x 1/2") | 1 | 1 |
| 8 | | 1025454 | Housing, Latch - Right | 1 | 1 |
| 8 | | 1025455 | Housing, Latch - Left | 1 | 1 |
| 9 | | 1026124 | Collar, Anti-Rattle | 1 | 1 |
| 10 | | 1045267 | Screw, Hex Head w/ Patch (1/4-20 x 3/4") | 1 | 1 |
| 11 | B | 1026099 | Spacer, Coved (1/4 x 11/16 x 1/2") | 1 | 1 |
| 12 | I | 1020534 | Insert, Threaded | 1 | 1 |
| 13 | | 1070759 | Screw, Hex Head (1/4-20 x 1-1/2") | 1 | 1 |
| 14 | | 1044214 | Nut, Hex with Nylon Cap (1/4-20) | 1 | 1 |
| 15 | | 1026703-NLA | NLA - Kit, Pivot/Slide Tube Mounting Hardware (Pair) | 1 | 1 |
| 16 | | 1057846 | Kit, Pivot/Slide Tube Mounting Hardware (Pair) | 1 | 1 |
| | F | 1026987 | Guard, Impact (8" L) | 1 | 1 |

NOTE: A - Specify frame color when ordering. See page titled "Frame Finishes and Touch-Up Paints."
 B - Item 16 takes 2 per assembly
 C - Offered on 3G Storm Series models only
 D - Offered on 3G Storm Series and TDX SP/SR models
 E - Offered on 3G Storm Series and TDX SP/SR models
 F - Not Shown. For 70 deg. Tapered Footrest.
 G - Uses Item Number 3, PLug Button 1029501
 H - Uses Item Number 3, PLug Button 1056328
 I - As of 8/15/03, the Threaded Insert was revised from 3 to 5 Holes. Threaded Insert is Backward Compatible and does not require ordering in Pairs.
 J - See item #1 footnote G or H for Front Rigging Plug Button usage.

AT5544 Legrest Supports (Sector Style) 12"-24" Wide Chairs



See Calf Pads and
Attaching Hardware page.

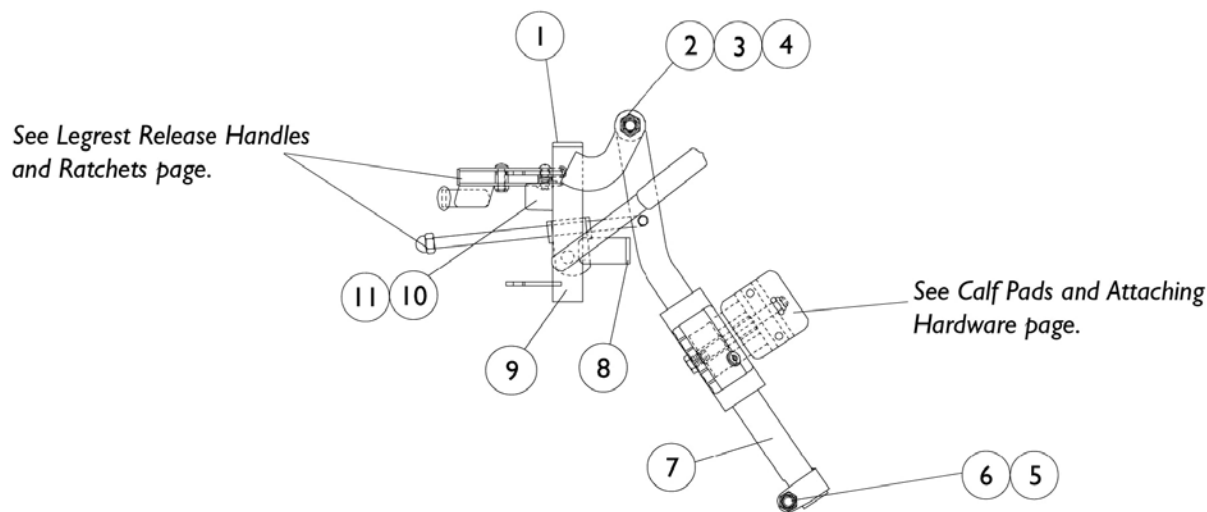


AT5544 Legrest Supports (Sector Style) 12"-24" Wide Chairs

| Item Number | Note | Part Number | Description | Quantity Per | |
|-------------|------|---------------|---|--------------|----------|
| | | | | Package | Assembly |
| 1 | | 1017187 | Cover, Top | 1 | 1 |
| 2 | | 1028529 | Screw, Phillips Pan Head (#8-32 x 3/8") | 1 | 2 |
| 3 | | 40363X000 | Hex Nut (3/8"-16) | 1 | 1 |
| 4 | | 1058636-NLA | NLA - Washer, Nylon (25/64 x 7/8 x 1/32") | 1 | 2 |
| 5 | | 11919X000-NLA | NLA - Screw, Slotted Truss Head (3/8-16 x 1-1/2") | 1 | 1 |
| 6 | | 7930330-NLA | NLA - Locknut (5/16-24) | 25 | 3 |
| 7 | | 1026030 | Bolt, Lug (5/16-24 x 1-3/8") | 1 | 1 |
| 8 | | 1043556-NLA | NLA - Tube, Elevating Adjustable Support, Black - Right | 1 | 1 |
| 8 | | 1043557-NLA | NLA - Tube, Elevating Adjustable Support, Black - Left | 1 | 1 |
| 8 | A | 8881048851 | Tube, Elevating Adjustable Support, Color - Right | 1 | 1 |
| 8 | A | 8881048852 | Tube, Elevating Adjustable Support, Color - Left | 1 | 1 |
| 9 | | 1032266 | Bracket, Legrest Pad Mounting, Black | 1 | 1 |
| 10 | | 04528X002 | Bracket, Release, Black | 1 | 1 |
| 11 | | 1025451 | Screw, Slotted Hex Washer Head (#10-32 x 5/8") | 1 | 2 |
| 12 | | 1025454 | Housing, Latch - Right | 1 | 1 |
| 12 | | 1025455 | Housing, Latch - Left | 1 | 1 |
| 13 | | 7930314 | Package, Screw, Slotted Hex Washer Head (#10-32 x 1/2") | 25 | 1 |
| 14 | | 42326X001 | Bar, Ratchet | 1 | 1 |
| 15 | | 7930336-NLA | NLA - Nut, Acorn (5/16-24) | 25 | 1 |
| 16 | | 1017148 | Pivot, Footrest | 1 | 1 |
| 17 | | 1029501 | Plug Button, Black (1") | 1 | 1 |
| 18 | | 7930301-NLA | NLA - Package, Button Head Cap Screw (1/4-20 x 1-3/4") | 25 | 1 |
| 19 | A | 8881045289 | Bracket, Legrest Support, Color - Right | 1 | 1 |
| 19 | A | 8881045290 | Bracket, Legrest Support, Color - Left | 1 | 1 |
| 20 | | 1040831 | Ring, Snap | 1 | 1 |
| 21 | | 7930310-NLA | NLA - Washer, Nylon (5/16 x 11/16 x 1/16") | 25 | 1 |
| 22 | | 1040060 | Tip, Plastic, Black | 1 | 1 |
| 23 | | 1037485 | Spring, Release | 1 | 1 |
| 24 | | 1037125 | Cam, Legrest | 1 | 1 |
| 25 | | 1037126 | Handle, Release | 1 | 1 |
| 26 | B | 1096974 | Kit, Elevating Legrest Ratchet Hardware (Pair) | 2 | 1 |
| | C,D | 1096943-NLA | NLA - Instruction Sheet, Ratchet Kit | 1 | 1 |
| | A,C | 8881045291 | Legrest Support Assembly, Sector, Color - Right | 1 | 1 |
| | A,C | 8881045292 | Legrest Support Assembly, Sector, Color - Left | 1 | 1 |

NOTE: A - Specify frame color when ordering. See page titled "Frame Finishes and Touch-Up Paints".
B - Includes items 10, 14, 15 and 20-25
C - Not Shown
D - Item is no longer available from the Invacare Service Parts Department. Refer to the Invacare Website under "Product Literature Search". Enter the part number in the "Keywords" field and download a free PDF version copy.

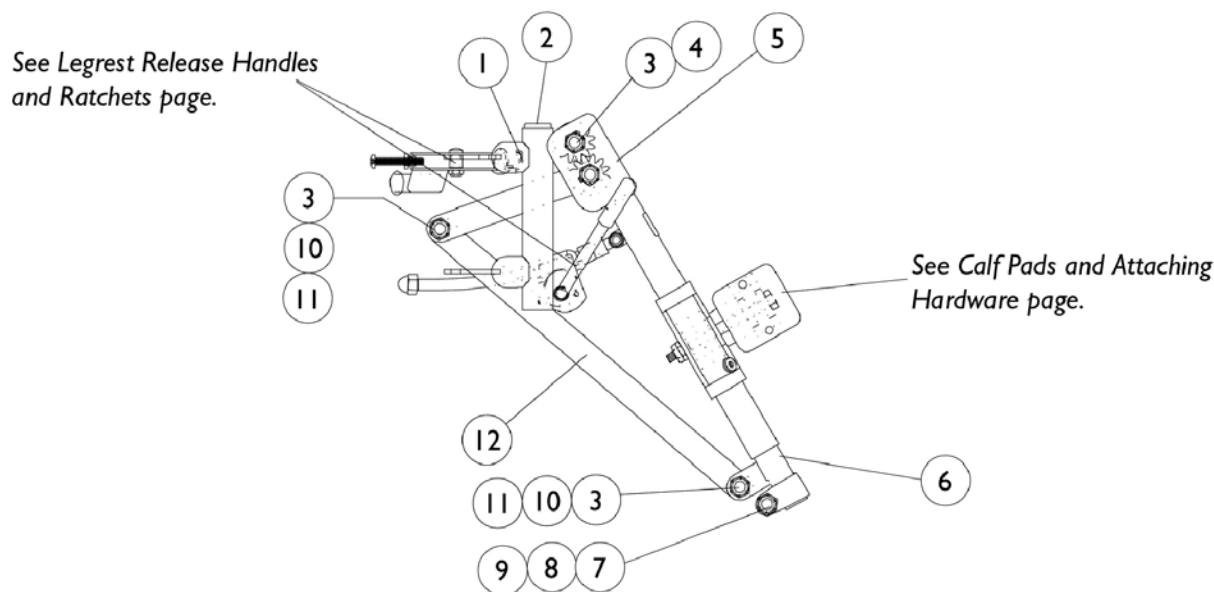
P904A Legrest Supports (Pin Style) Color 14"-24" Wide Chairs



| Item Number | Note | Part Number | Description | Quantity Per | |
|-------------|------|--------------------|--|--------------|----------|
| | | | | Package | Assembly |
| 1 | | 1027095 | Plug Button, Black (7/8") | 1 | 1 |
| 2 | | 11919X000-NLA | NLA - Screw, Slotted Truss Head (3/8-16 x 1-1/2") | 1 | 1 |
| 3 | | 1058636-NLA | NLA - Washer, Nylon (25/64 x 7/8 x 1/32") | 1 | 2 |
| 4 | | 40363X000 | Hex Nut (3/8"-16) | 1 | 1 |
| 5 | | 7930330-NLA | NLA - Locknut (5/16-24) | 25 | 3 |
| 6 | | 1026030 | Bolt, Lug (5/16-24 x 1-3/8") | 1 | 1 |
| 7 | A | 8881048851 | Tube, Elevating Adjustable Support, Color - Right | 1 | 1 |
| 7 | A | 8881048852 | Tube, Elevating Adjustable Support, Color - Left | 1 | 1 |
| 8 | | 1027097 | Plug Button, Black (3/4") | 1 | 1 |
| 9 | A | 8881058664-NL A | NLA - Tube, Legrest Support, Color - Right | 1 | 1 |
| 9 | A | 8881058665-NL A | NLA - Tube, Legrest Support, Color - Left | 1 | 1 |
| 10 | | 1022874 | Bumper | 1 | 1 |
| 11 | | 1030979 | Screw, Phillips Pan Head Tap (#10-32 x 3/4") | 1 | 1 |
| | A,B | 8881058646-NL A | NLA - Legrest Support Assembly, Adult, Color - Right | 1 | 1 |
| | A,B | 8881058647-NL A | NLA - Legrest Support Assembly, Adult, Color - Left | 1 | 1 |

NOTE: A - Specify frame color when ordering. See page titled "Frame Finishes and Touch-Up Paints".
B - Not Shown

PAL4A Articulating Legrest (Pin Style) Chrome 14"-24" Wide Chairs

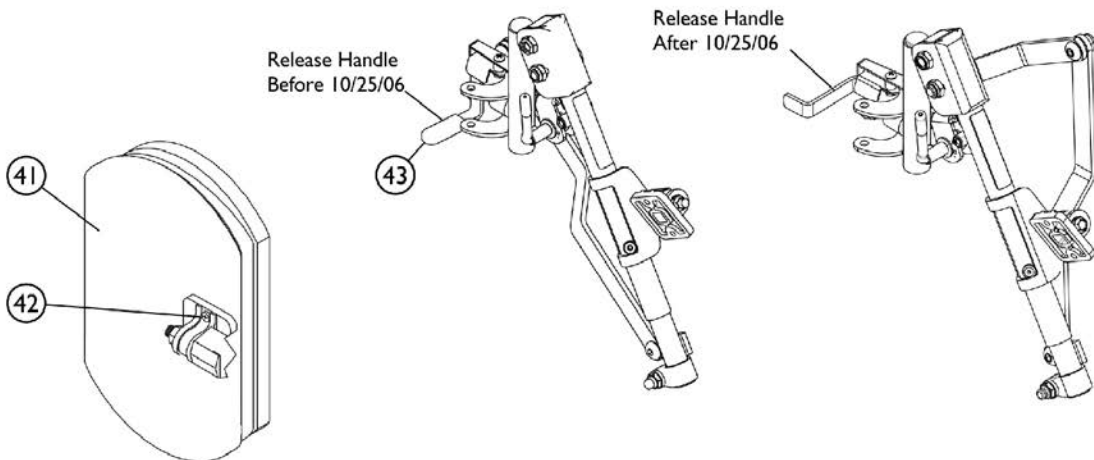
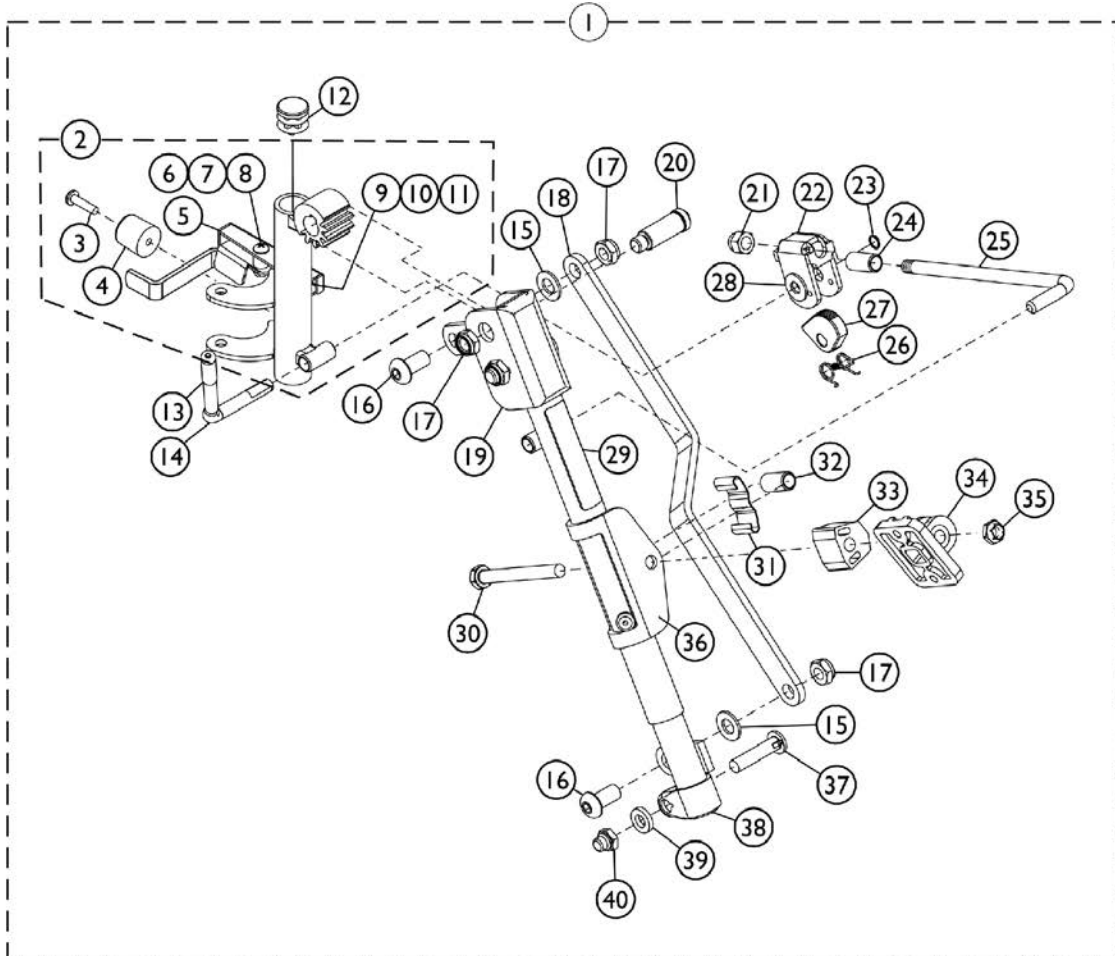


| Item Number | Note | Part Number | Description | Quantity Per | |
|-------------|------|-------------|---|--------------|----------|
| | | | | Package | Assembly |
| 1 | | 1058478-NLA | NLA - Tube, Legrest Support - Right | 1 | 1 |
| 1 | | 1058479-NLA | NLA - Tube, Legrest Support - Left | 1 | 1 |
| 2 | | 1027097 | Plug Button, Black (3/4") | 1 | 1 |
| 3 | | 40363X000 | Hex Nut (3/8"-16) | 1 | 3 |
| 4 | | 1022854-NLA | NLA - Screw, Shoulder Slotted Head (1/2 x 1-1/8", 3/8-16) | 1 | 1 |
| 5 | | 1022877-NLA | NLA - Tube, Support and Drive Link, Chrome - Right | 1 | 1 |
| 5 | | 1022878-NLA | NLA - Tube, Support and Drive Link, Chrome - Left | 1 | 1 |
| 6 | | 1022848 | Tube, Slide, Articulating, Chrome - Right | 1 | 1 |
| 6 | | 1022849 | Tube, Slide, Articulating, Chrome - Left | 1 | 1 |
| 7 | | 1027377 | Washer (#20) | 1 | 1 |
| 8 | | 7930363-NLA | NLA - Package, Locknut (5/16"-24) | 25 | 1 |
| 9 | | 11232X009 | Bolt, Lug (5/16-24 x 1-3/8") | 1 | 1 |
| 10 | | 1022866-NLA | NLA - Screw, Socket Button Head (3/8-16 x 3/4") | 1 | 2 |
| 11 | | 1049527 | Washer, Nylon (3/8 x 3/4 x 1/16") | 1 | 2 |
| 12 | | 1022846-NLA | NLA - Bar, Link, Black | 1 | 1 |
| | A | 1058482-NLA | NLA - Legrest Support Assembly, Articulating, Adult, Chrome - Right | 1 | 1 |
| | A | 1058483-NLA | NLA - Legrest Support Assembly, Articulating, Adult, Chrome - Left | 1 | 1 |

NOTE: A - Not Shown

PHAL4A (Hemi) Articulating Legrest Supports Chrome

Due to a change to the Legrest Calf Pad size made on 4/23/12, you must also order the hardware kit (1068649) when ordering replacement Calf Pads.



PHAL4A (Hemi) Articulating Legrest Supports Chrome

Due to a change to the Legrest Calf Pad size made on 4/23/12, you must also order the hardware kit (1068649) when ordering replacement Calf Pads.

| Item Number | Note | Part Number | Description | Quantity Per | |
|-------------|--------|-------------|--|--------------|----------|
| | | | | Package | Assembly |
| 1 | B,D,D1 | 1031437-NLA | NLA - Legrest Support Assembly, Articulating, Hemi, Chrome - Right | 1 | 1 |
| 1 | B,D,D1 | 1031438-NLA | NLA - Legrest Support Assembly, Articulating, Hemi, Chrome - Left | 1 | 1 |
| 2 | D,D1,H | 1023092-NLA | NLA - Legrest Support Tube Assembly, Hemi, Chrome - Right | 1 | 1 |
| 2 | D,D1,H | 1023093-NLA | NLA - Legrest Support Tube Assembly, Hemi, Chrome - Left | 1 | 1 |
| 3 | | 1030979 | Screw, Phillips Pan Head Tap (#10-32 x 3/4") | 1 | 1 |
| 4 | | 1022874 | Bumper | 1 | 1 |
| 5 | E | 1035539 | Handle, Release, Black - Right | 1 | 1 |
| 5 | E | 1035540 | Handle, Release, Black - Left | 1 | 1 |
| 6 | | 47565X057 | Bushing (7/32 x 3/8 x 11/32") | 1 | 1 |
| 7 | | 60279X003 | Locknut (#10-32) | 1 | 1 |
| 8 | | 40163X008 | Screw, Phillips Pan Head (#10-32 x 11/16") | 1 | 1 |
| 9 | | 1008935 | Spring, Release - Right | 1 | 1 |
| 9 | | 1008936 | Spring, Release - Left | 1 | 1 |
| 10 | | 67005X000 | Rivnut (#10-32) | 1 | 1 |
| 11 | | 40163X002 | Screw, Phillips Round Head (#10-32 x 1/2") | 1 | 1 |
| 12 | | 1027097 | Plug Button, Black (3/4") | 1 | 1 |
| 13 | | 1040060 | Tip, Plastic, Black | 1 | 1 |
| 14 | | 1037126 | Handle, Release | 1 | 1 |
| 15 | | 1049527 | Washer, Nylon (3/8 x 3/4 x 1/16") | 1 | 2 |
| 16 | | 1022866-NLA | NLA - Screw, Socket Button Head (3/8-16 x 3/4") | 1 | 2 |
| 17 | | 40363X000 | Hex Nut (3/8"-16) | 1 | 3 |
| 18 | | 1022846-NLA | NLA - Bar, Link, Black | 1 | 1 |
| 19 | | 1022877-NLA | NLA - Tube, Support and Drive Link, Chrome - Right | 1 | 1 |
| 19 | | 1022878-NLA | NLA - Tube, Support and Drive Link, Chrome - Left | 1 | 1 |
| 20 | | 1022854-NLA | NLA - Screw, Shoulder Slotted Head (1/2 x 1-1/8", 3/8-16) | 1 | 1 |
| 21 | | 10261X000 | Nut, Acorn (5/16-24) | 1 | 1 |
| 22 | | 04528X002 | Bracket, Release, Black | 1 | 1 |
| 23 | | 1040831 | Ring, Snap | 1 | 1 |
| 24 | | 47328X003 | Bushing, Pivot (5/16 x 7/16 x 7/8") | 1 | 1 |
| 25 | | 42326X004 | Bar, Ratchet - Right/Left | 1 | 1 |
| 26 | | 1037485 | Spring, Release | 1 | 1 |
| 27 | | 1037125 | Cam, Legrest | 1 | 1 |
| 28 | | 1013519 | Washer, Nylon (5/16 x 11/16 x 1/16") | 1 | 1 |
| 29 | | 1024911-NLA | NLA - Decal, Smartleg | 1 | 1 |
| 30 | | 1014807 | Screw, Hex Head (5/16-24 x 3-1/4") | 1 | 1 |
| 31 | | 48823X008 | Spring, Leaf | 1 | 1 |
| 32 | | 47328X003 | Bushing, Pivot (5/16 x 7/16 x 7/8") | 1 | 1 |

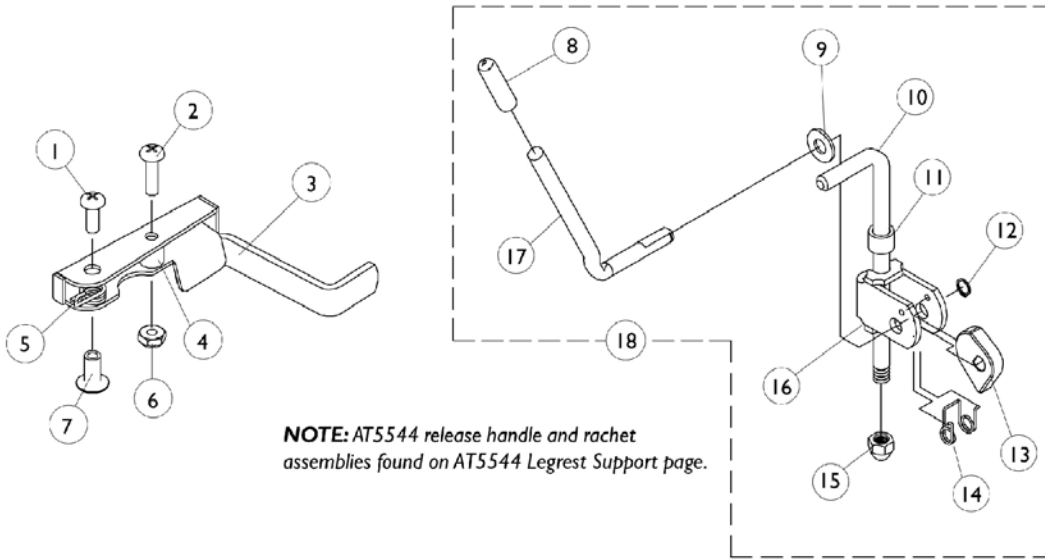
PHAL4A (Hemi) Articulating Legrest Supports Chrome

Due to a change to the Legrest Calf Pad size made on 4/23/12, you must also order the hardware kit (1068649) when ordering replacement Calf Pads.

| Item Number | Note | Part Number | Description | Quantity Per | |
|-------------|-------|-------------|--|--------------|----------|
| | | | | Package | Assembly |
| 33 | | 1025133 | Spacer, Legrest Pad, Black | 1 | 1 |
| 34 | | 04526X019 | Plate, Legrest Pad | 1 | 1 |
| 35 | | 60264X001 | Locknut (5/16-24) | 1 | 1 |
| 36 | | 1025104 | Bracket, Legrest, Chrome | 1 | 1 |
| 37 | | 11232X009 | Bolt, Lug (5/16-24 x 1-3/8") | 1 | 1 |
| 38 | | 1022848 | Tube, Slide, Articulating, Chrome - Right | 1 | 1 |
| 38 | | 1022849 | Tube, Slide, Articulating, Chrome - Left | 1 | 1 |
| 39 | | 1027377 | Washer (#20) | 1 | 1 |
| 40 | | 1107321 | Nut, Low Cap (5/16"-24) | 1 | 1 |
| 41 | A,C,G | 8881091764 | Pad, Legrest, Vinyl - Right/Left | 1 | 1 |
| 42 | F | 1068649 | Hardware, Legrest Pad | 1 | 1 |
| | | | Screw, Phillips Pan Head (#10-32 x 11/16") | 1 | 2 |
| | | | Screw, Phillips Pan Head (#10-32 x 1") | 1 | 2 |
| | | | Instruction Sheet, Legrest Pad Mtg. | 1 | 1 |
| 43 | | 1006490 | Tip, Plastic, Black | 1 | 1 |

NOTE: A - Specify upholstery color U67 black when ordering.
 B - Includes items 3-40.
 C - For 16" and wider seats.
 D - Release Handle revised 10/25/06. When a complete Legrest Assembly item #1 or a Legrest Support Tube Assembly item #2 is ordered for chairs manufactured before 10/25/06, order the opposite side "Release Handle" item #5 to match.
 D1 - Both Release Handles pictured to identify the difference. Release Handle after 10/24/06 does not require a rubber tip
 E - Release Handle revised 10/25/06. For chairs manufactured before 10/25/06, order in pairs to match.
 F - Includes Screws and Instruction Sheet.
 G - Due to a change to the Legrest Calf Pad size made on 4/23/12, you must also order the hardware kit (1068649) when ordering replacement Calf Pads.
 H - Includes the Legrest Support Tube and items 3-11.

Legrest Release Handles and Ratchets



NOTE: AT5544 release handle and ratchet assemblies found on AT5544 Legrest Support page.

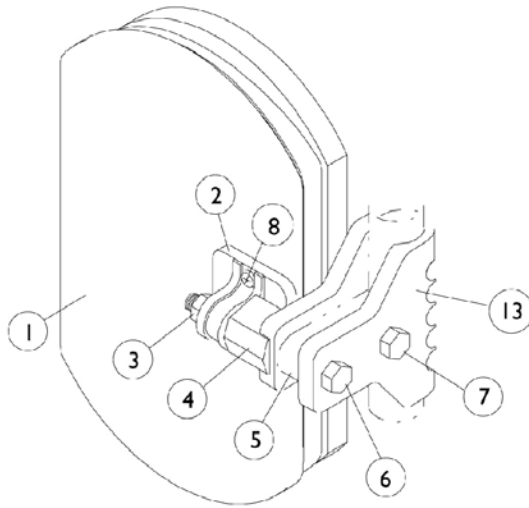
Legrest Release Handles and Ratchets

| Item Number | Note | Part Number | Description | Quantity Per | |
|-------------|------|-------------|---|--------------|----------|
| | | | | Package | Assembly |
| 1 | | 7930328-NLA | NLA - Package, Screw, Phillips Pan Head (#10-32 x 11/16") | 25 | 1 |
| 2 | | 7930335-NLA | NLA - Package, Screw, Phillips Pan Head (#10-32 x 1/2") | 25 | 1 |
| 3 | | 1035539 | Handle, Release, Black - Right | 1 | 1 |
| 3 | | 1035540 | Handle, Release, Black - Left | 1 | 1 |
| 4 | | 47565X057 | Bushing (7/32 x 3/8 x 11/32") | 1 | 1 |
| 5 | | 1028707 | Spring, Release - Right | 1 | 1 |
| 5 | | 1028708 | Spring, Release - Left | 1 | 1 |
| 6 | | 7930332-NLA | NLA - Locknut, High Profile (#10-32) | 25 | 1 |
| 7 | | 1028846-NLA | NLA - Rivnut (#10-32) | 25 | 1 |
| 8 | | 1040060 | Tip, Plastic, Black | 1 | 1 |
| 9 | | 7930310-NLA | NLA - Washer, Nylon (5/16 x 11/16 x 1/16") | 1 | 1 |
| 10 | C | 42326X004 | Bar, Ratchet - Right/Left | 1 | 1 |
| 10 | D | 1023811-NLA | NLA - Bar, Ratchet - Right | 1 | 1 |
| 10 | D | 1023812-NLA | NLA - Bar, Ratchet - Left | 1 | 1 |
| 11 | | 47328X003 | Bushing, Pivot (5/16 x 7/16 x 7/8") | 1 | 1 |
| 12 | | 1040831 | Ring, Snap | 1 | 1 |
| 13 | | 1037125 | Cam, Legrest | 1 | 1 |
| 14 | | 1037485 | Spring, Release | 1 | 1 |
| 15 | | 7930336-NLA | NLA - Nut, Acorn (5/16-24) | 25 | 1 |
| 16 | | 04528X002 | Bracket, Release, Black | 1 | 1 |
| 17 | | 1037126 | Handle, Release | 1 | 1 |
| 18 | A | 1046329 | Kit, Elevating Legrest Ratchet Hardware (Pair) | 2 | 1 |
| 18 | B | 1046331-NLA | NLA - Kit, Articulating Legrest Ratchet Hardware (Pair) | 2 | 1 |

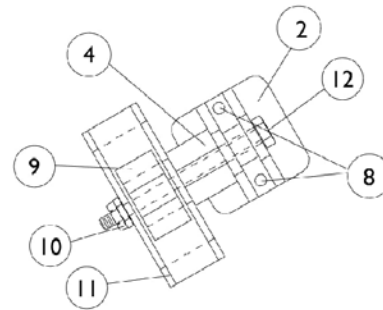
NOTE: A - P904A Legrest
 B - PAS4A and PAL4A Legrest
 C - P904A Legrest
 D - Articulating

Calf Pads and Attaching Hardware

NOTE: For replacement calf pads for Power Articulating Legrest, see Power Articulating Legrest page. Due to a change to the Legrest Calf Pad size made on 4/23/12, you must also order the hardware kit (1066591) when ordering replacement Calf Pads.



P904A, AT5544 Legrest.



PAS4A, PAL4A Legrest

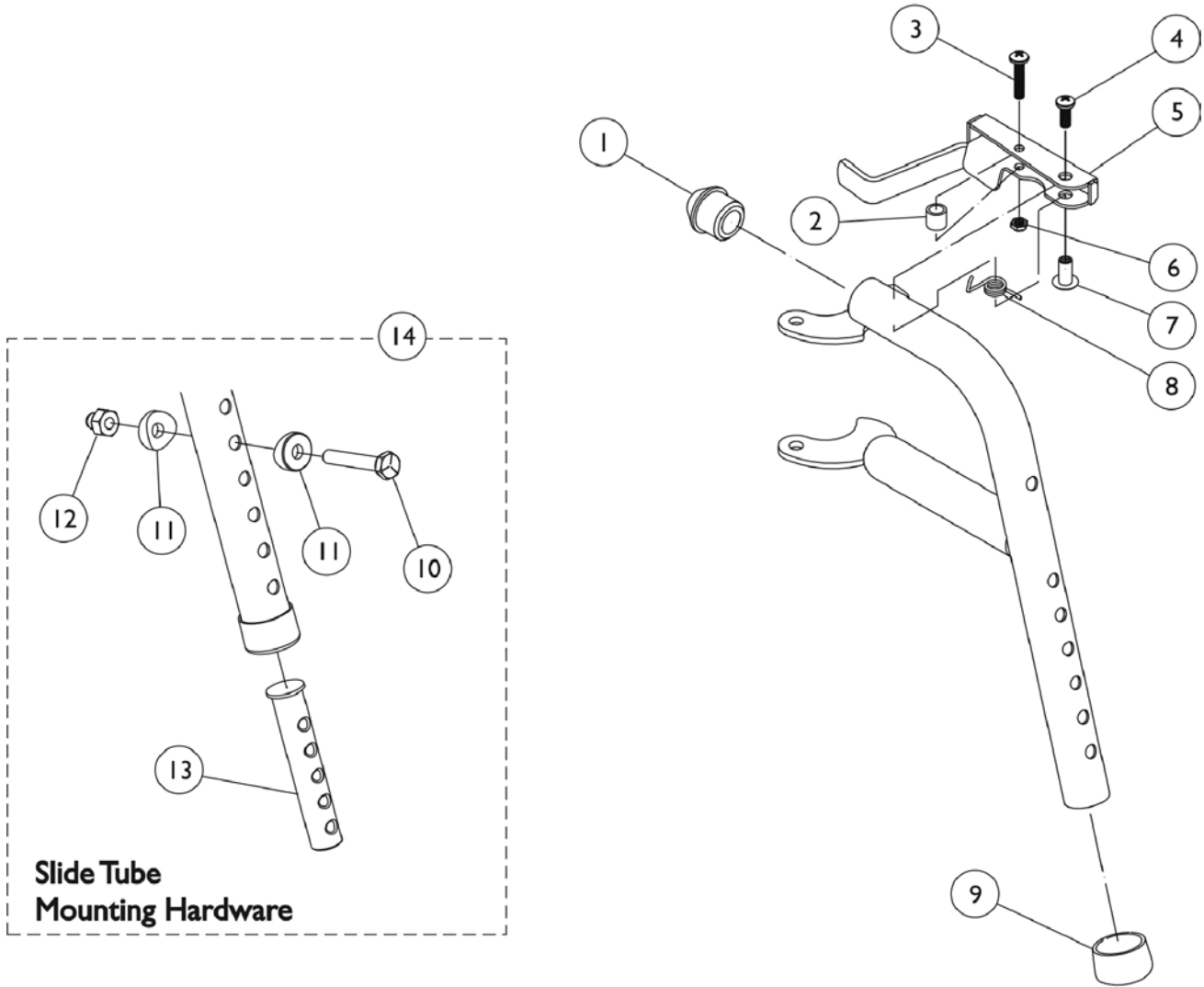
Calf Pads and Attaching Hardware

**NOTE: For replacement calf pads for Power Articulating Legrest, see Power Articulating Legrest page.
Due to a change to the Legrest Calf Pad size made on 4/23/12, you must also order the hardware kit (1066591) when ordering replacement Calf Pads.**

| Item Number | Note | Part Number | Description | Quantity Per | |
|-------------|-------|--------------|---|--------------|----------|
| | | | | Package | Assembly |
| 1 | A,D | 8881091759 | Pad w/ Cover and Screws, Legrest Vinyl (Pair) | 2 | 1 |
| 1 | A,D | 8881091764 | Pad, Legrest, Vinyl - Right/Left | 1 | 1 |
| 1 | A,B,D | 88804529X003 | Pad, Legrest, Vinyl - Right | 1 | 1 |
| 1 | A,B,D | 88804529X004 | Pad, Legrest, Vinyl - Left | 1 | 1 |
| 2 | | 04526X019 | Plate, Legrest Pad | 1 | 1 |
| 3 | | 7930330-NLA | NLA - Locknut (5/16-24) | 25 | 1 |
| 4 | | 1025133 | Spacer, Legrest Pad, Black | 1 | 1 |
| 5 | | 1032267 | Spacer, Legrest Pad Mounting, Black | 1 | 1 |
| 6 | | 1037110 | Screw, Hex Head (5/16-24 x 3-1/2") | 1 | 1 |
| 7 | | 1028514 | Screw, Hex Head (5/16-24 x 1-1/2") | 1 | 1 |
| 8 | C | 1066591 | Hardware, Legrest Pad | 1 | 1 |
| | | | Screw, Phillips Pan Head (#10-32 x 11/16") | 1 | 2 |
| | | | Screw, Phillips Pan Head (#10-32 x 1") | 1 | 2 |
| | | | Instruction Sheet, Legrest Pad Mtg. | 1 | 1 |
| 9 | | 48823X008 | Spring, Leaf | 1 | 1 |
| 10 | | 7930363-NLA | NLA - Package, Locknut (5/16"-24) | 25 | 2 |
| 11 | | 1025104 | Bracket, Legrest, Chrome | 1 | 1 |
| 12 | | 1014807 | Screw, Hex Head (5/16-24 x 3-1/4") | 1 | 1 |
| 13 | | 1032266 | Bracket, Legrest Pad Mounting, Black | 1 | 1 |

NOTE: A - Specify upholstery color. See page titled "Frame Finishes, Touch-Up Paints and Upholstery Options".
 B - 14"-15" Wide Chairs
 C - Includes Screws and Instruction Sheet.
 D - Due to a change to the Legrest Calf Pad size made on 4/23/12, you must also order the hardware kit (1066591) when ordering replacement Calf Pads.

PW93 Footrest Supports (Pin Style) Color



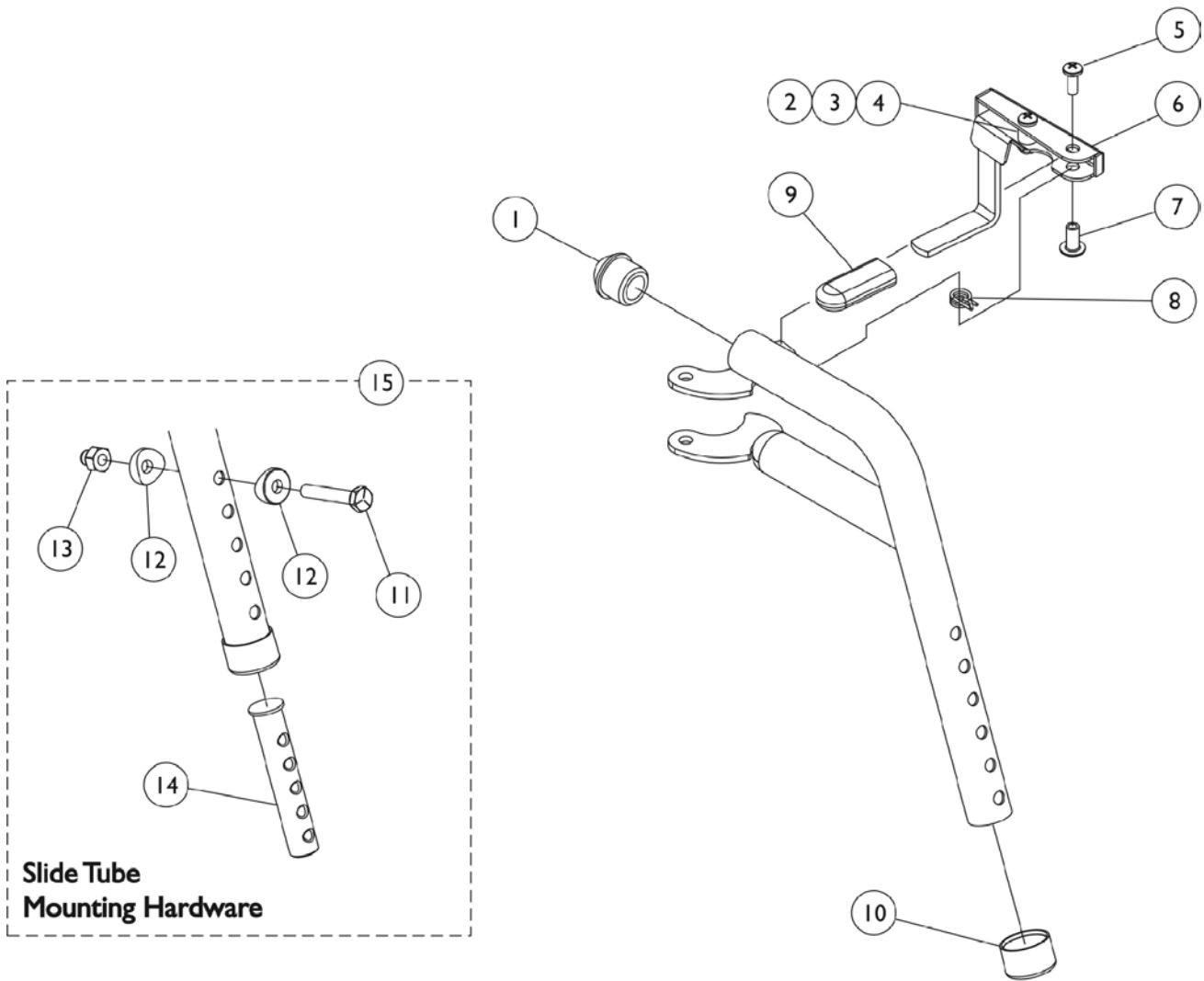
PW93 Footrest Supports (Pin Style) Color

| Item Number | Note | Part Number | Description | Quantity Per | |
|-------------|------|-------------|---|--------------|----------|
| | | | | Package | Assembly |
| 1 | | 1020719 | Anti-Rattle, Black | 1 | 1 |
| 2 | | 47565X057 | Bushing (7/32 x 3/8 x 11/32") | 1 | 1 |
| 3 | | 1025716 | Screw, Phillips Pan Head (#10-32 x 11/16") | 1 | 1 |
| 4 | | 1026114 | Screw, Phillips Pan Head (#10-32 x 1/2") | 1 | 1 |
| 5 | | 1035539 | Handle, Release, Black - Right | 1 | 1 |
| 5 | | 1035540 | Handle, Release, Black - Left | 1 | 1 |
| 6 | | 1025735 | Locknut (#10-32) | 1 | 1 |
| 7 | | 1028846-NLA | NLA - Rivnut (#10-32) | 1 | 1 |
| 8 | | 1028707 | Spring, Release - Right | 1 | 1 |
| 8 | | 1028708 | Spring, Release - Left | 1 | 1 |
| 9 | | 15680X012 | Collar, Anti-Rattle (7/8") | 1 | 1 |
| 10 | | 1070759 | Screw, Hex Head (1/4-20 x 1-1/2") | 1 | 1 |
| 11 | | 1026099 | Spacer, Coved (1/4 x 11/16 x 1/2") | 1 | 2 |
| 12 | | 1044214 | Nut, Hex with Nylon Cap (1/4-20) | 1 | 1 |
| 13 | C | 1020534 | Insert, Threaded | 1 | 1 |
| 14 | | 1074143 | Kit, Slide Tube Mounting Hardware | 1 | 1 |
| | A,B | 8881070776 | Footrest Support Assembly, Adult, Color - Right | 1 | 1 |
| | A,B | 8881070777 | Footrest Support Assembly, Adult, Color - Left | 1 | 1 |

NOTE: A - Specify frame color when ordering. See page titled "Frame Finishes, Touch-Up Paints and Upholstery Options".
 B - Not Shown.
 C - As of 8/15/03, the Threaded Insert was revised from 3 to 5 Holes. Threaded Insert is Backward Compatible and does not require ordering in Pairs.

PHW93 (Hemi) Footrest Supports

Color (Pin Style)



**Slide Tube
Mounting Hardware**

PHW93 (Hemi) Footrest Supports Color (Pin Style)

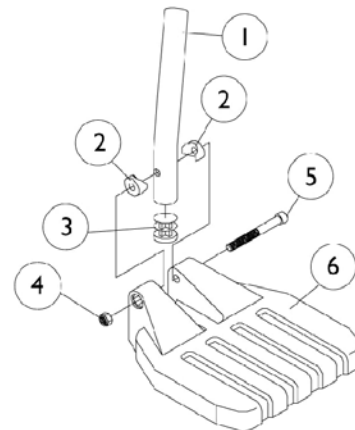
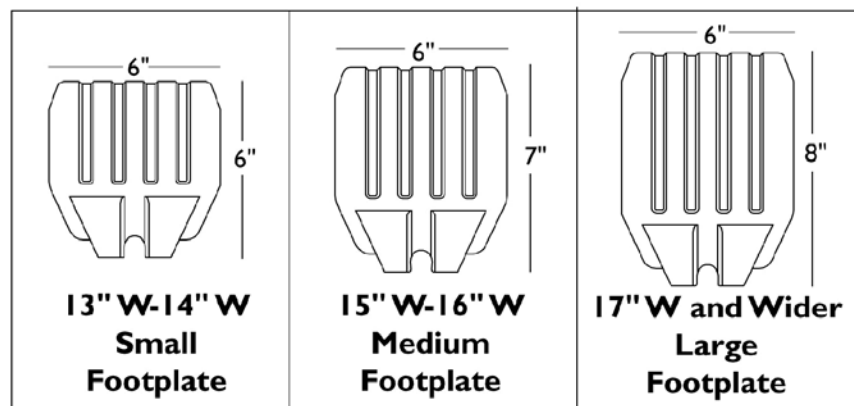
| Item Number | Note | Part Number | Description | Quantity Per | |
|-------------|------|-------------|--|--------------|----------|
| | | | | Package | Assembly |
| 1 | | 1020719 | Anti-Rattle, Black | 1 | 1 |
| 2 | | 1025716 | Screw, Phillips Pan Head (#10-32 x 11/16") | 1 | 1 |
| 3 | | 47565X057 | Bushing (7/32 x 3/8 x 11/32") | 1 | 1 |
| 4 | | 1025735 | Locknut (#10-32) | 1 | 1 |
| 5 | | 1026114 | Screw, Phillips Pan Head (#10-32 x 1/2") | 1 | 1 |
| 6 | A | 1114749-NLA | NLA - Handle, Release, Black - Right | 1 | 1 |
| 6 | A | 1114750-NLA | NLA - Handle, Release, Black - Left | 1 | 1 |
| 7 | | 1028846-NLA | NLA - Rivnut (#10-32) | 1 | 1 |
| 8 | | 1028707 | Spring, Release - Right | 1 | 1 |
| 8 | | 1028708 | Spring, Release - Left | 1 | 1 |
| 9 | | 1006490 | Tip, Plastic, Black | 1 | 1 |
| 10 | | 15680X012 | Collar, Anti-Rattle (7/8") | 1 | 1 |
| 11 | | 1070759 | Screw, Hex Head (1/4-20 x 1-1/2") | 1 | 1 |
| 12 | | 1026099 | Spacer, Coved (1/4 x 11/16 x 1/2") | 1 | 2 |
| 13 | | 1044214 | Nut, Hex with Nylon Cap (1/4-20) | 1 | 1 |
| 14 | C | 1020534 | Insert, Threaded | 1 | 1 |
| 15 | | 1074143 | Kit, Slide Tube Mounting Hardware | 1 | 1 |
| | B | 8881126089 | Footrest Support Assembly, Hemi, Color - Right | 1 | 1 |
| | B | 8881126090 | Footrest Support Assembly, Hemi, Color - Left | 1 | 1 |

NOTE: A - Includes items 2-4
 B - Specify frame color when ordering, see page titled "Frame Finishes and Touch-Up Paints".
 C - As of 8/15/03, the Threaded Insert was revised from 3 to 5 Holes. Threaded Insert is Backward Compatible and does not require ordering in Pairs.

Pivot/Slide Tube w/ Footplate Assy. - Composite - 1651

NOTE: Heel Loops are not included. See footrest and legrest accessories.

NOTE: For complete pivot/slide tube and footplate assemblies, see front riggings reference charts

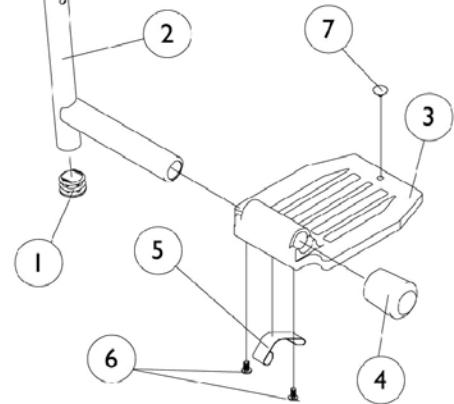
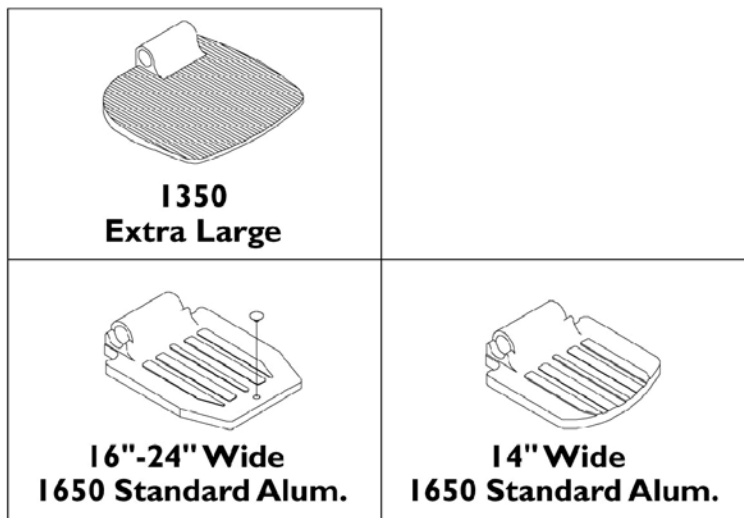


| Item Number | Note | Part Number | Description | Quantity Per | |
|--|------|-------------|--|--------------|----------|
| | | | | Package | Assembly |
| 1 | | 1057852 | Tube, Pivot/Slide, Curved End, Steel, Black (9-7/8") | 1 | 1 |
| 1 | | 1057854 | Tube, Pivot/Slide, Curved End, 2" Longer, Steel, Black | 1 | 1 |
| 1 | | 1058418 | Tube, Pivot/Slide, Curved End, 4" Longer, Steel, Black | 1 | 1 |
| 2 | | 1025457 | Spacer, Coved (1/4 x 3/4 x 1 1/32") | 1 | 2 |
| 3 | | 1027097 | Plug Button, Black (3/4") | 1 | 1 |
| 4 | | 7930323-NLA | NLA - Package, Locknut (1/4-20) | 25 | 1 |
| 5 | | 7930366 | Package, Socket Head Screw (1/4-20 x 2-1/4") | 25 | 1 |
| 6 | A | 1026879 | Footplate, Composite, Small, Black (6" W x 6" L) | 1 | 1 |
| 6 | B | 1026880 | Footplate, Composite, Medium, Black (7" W x 6" L) | 1 | 1 |
| 6 | C | 1026881 | Footplate, Composite, Large, Black (8" W x 6" L) | 1 | 1 |
| 6 | D | 1026879 | Footplate, Composite, Small, Black (6" W x 6" L) | 1 | 1 |
| 6 | E | 1026880 | Footplate, Composite, Medium, Black (7" W x 6" L) | 1 | 1 |
| 6 | F | 1026881 | Footplate, Composite, Large, Black (8" W x 6" L) | 1 | 1 |
| NOTE: A - 13"-14" Wide B - 15"-16" Wide C - 17" and Wider D - 15"-17" Wide E - 18"-19" Wide F - 20" and Wider | | | | | |

Pivot/Slide Tube w/ Footplate Assembly - Aluminum - 1350, 1650

NOTE: Heel Loops are not included. See footrest and legrest accessories

NOTE: For complete pivot/slide tube and footplate assemblies, see front riggings reference charts.



Pivot/Slide Tube w/ Footplate Assembly - Aluminum - 1350, 1650

NOTE: Heel Loops are not included. See footrest and legrest accessories

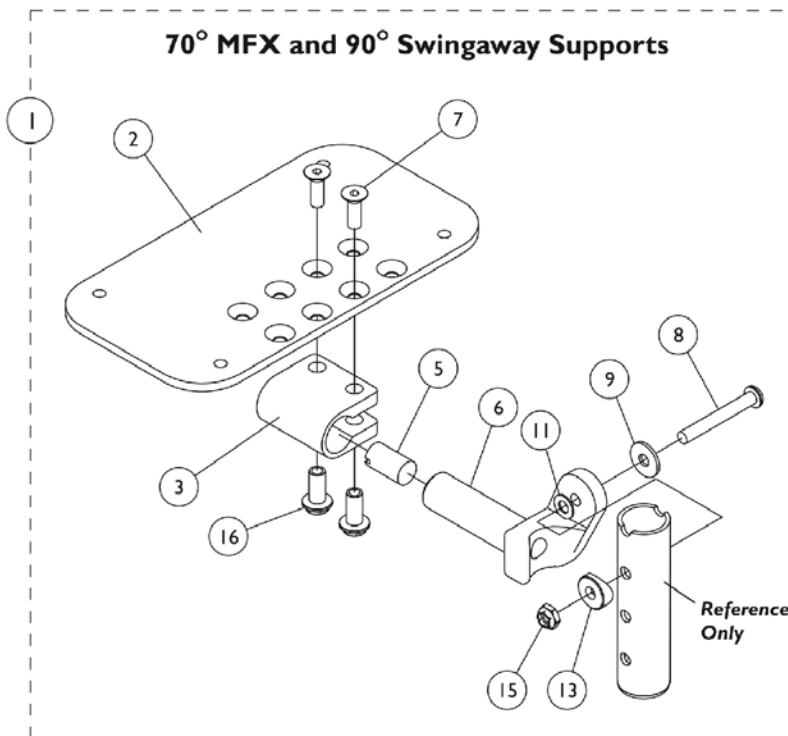
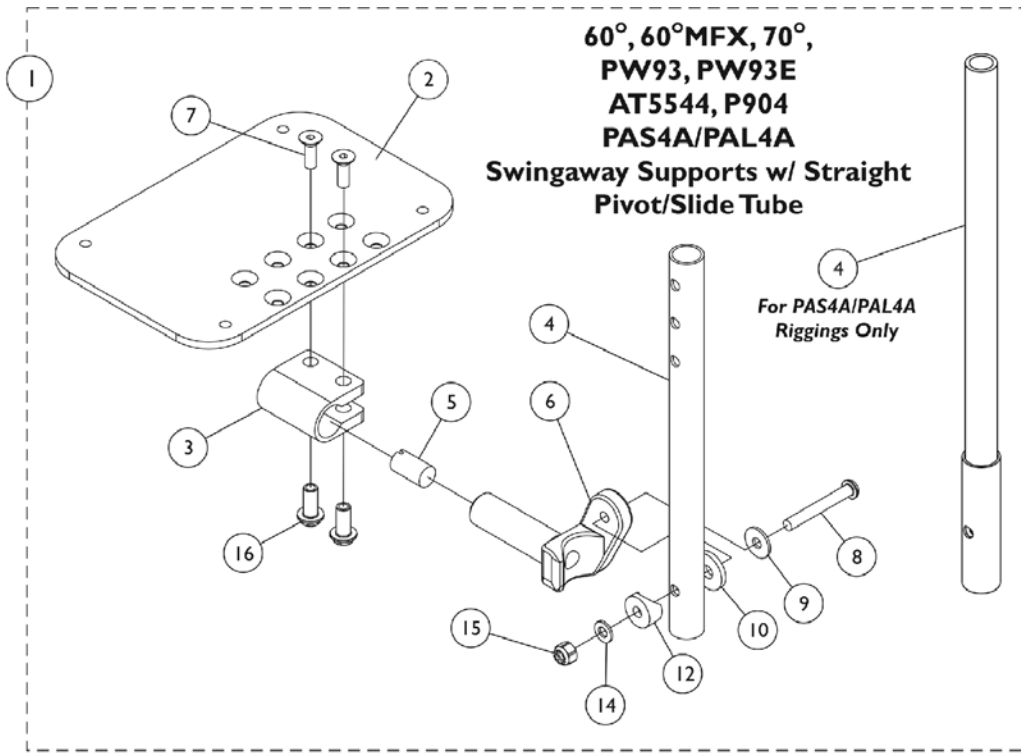
NOTE: For complete pivot/slide tube and footplate assemblies, see front riggings reference charts.

| Item Number | Note | Part Number | Description | Quantity Per | |
|--|------|-------------|---|--------------|----------|
| | | | | Package | Assembly |
| 1 | | 1027097 | Plug Button, Black (3/4") | 1 | 1 |
| 2 | A | 1048834 | Pivot/Slide Tube w/ Plug Button, Black | 1 | 1 |
| 2 | A | 1098906 | Pivot/Slide Tube w/ Plug Button, Black (2" Longer) | 1 | 1 |
| 2 | A | 1086482 | Pivot/Slide Tube w/ Plug Button, Black (4" Longer) | 1 | 1 |
| 2 | B | 1041526 | Pivot/Slide Tube w/ Plug Button Assembly, Chrome | 1 | 1 |
| 2 | C | 1100568-NLA | NLA - Pivot/Slide Tube w/ Plug Button, Black | 1 | 1 |
| 2 | C | 1100569-NLA | NLA - Pivot/Slide Tube Assembly, Extra Large, Standard Aluminium - 2" Longer, Black | 1 | 1 |
| 2 | C | 1100570-NLA | NLA - Pivot/Slide Tube w/ Plug Button, Black (4" Longer) | 1 | 1 |
| 2 | D | 1041526 | Pivot/Slide Tube w/ Plug Button Assembly, Chrome | 1 | 1 |
| 3 | | 44200X059 | Footplate, Aluminum, Small, Black (6-3/4" W x 6" L) | 1 | 1 |
| 3 | | 44200X027 | Footplate, Aluminum, Medium, Black (7-3/4" W x 6" L) | 1 | 1 |
| 3 | | 44200X025 | Footplate, Aluminum, Extra Large, Black - Right (8" W x 8-1/2" L) | 1 | 1 |
| 3 | | 44200X026 | Footplate, Aluminum, Extra Large, Black - Left (8" W x 8-1/2" L) | 1 | 1 |
| 4 | E | 1016346 | Cap, End, Tube, Black (7/8") | 1 | 1 |
| 4 | F | 1027095 | Plug Button, Black (7/8") | 1 | 1 |
| 5 | E | 1006981 | Spring, Tension | 1 | 2 |
| 5 | F,G | 1036123 | Spring, Leaf | 1 | 1 |
| 6 | | 7930354-NLA | NLA - Package, Phillips Head Screw (#8-32 x 3/8") | 25 | 1 |
| 7 | | 1070168 | Plug, Push, Footplate | 1 | 1 |
| <p>NOTE: A - Extra Large footplate for 60MFX, AT5544, 60, 70, PW93, PW93E B - Extra Large footplate for PAL4A C - Extra Large and Standard Aluminum footplate for P904 D - Standard Aluminum footplate for PAL4 E - For Standard Aluminum footplate F - For Extra Large footplate G - Use one or more leaf springs per assembly as required such that footplate may be moved by hand to the up-right position and remain in place.</p> | | | | | |

Adjustable Angle Footplate Assembly - AT5543

90°, 70°, PHW93, AT5544, PH93M2, PHAL4A Swingaway Supports

NOTE: Heel loops are not included. See footrest and legrest accessories.



Adjustable Angle Footplate Assembly - AT5543

90°, 70°, PHW93, AT5544, PH93M2, PHAL4A Swingaway Supports

NOTE: Heel loops are not included. See footrest and legrest accessories.

| Item Number | Note | Part Number | Description | Quantity Per | |
|-------------|------|-------------|---|--------------|----------|
| | | | | Package | Assembly |
| 1 | A | See Chart | Pivot/Slide Tube w/ Footplate Assemblies | 1 | 1 |
| 2 | B,F | 1113572 | Footplate, Adjustable Angle, Medium, Black (4-1/4" W x 8" L) | 1 | 1 |
| 2 | C,F | 1113573 | Footplate, Adjustable Angle, Large, Black (5-1/4" W x 8" L) | 1 | 1 |
| 2 | D,F | 1113574 | Footplate, Adjustable Angle, Extra Large, Black (6-1/4" W x 8" L) | 1 | 1 |
| 3 | | 1058517 | Clamp, Footplate | 1 | 1 |
| 4 | | 1057855 | Tube, Pivot and Slide, Straight, Steel, Black (9-7/8" L) | 1 | 1 |
| 4 | | 1057856 | Tube, Pivot/Slide, Straight, Steel, Black (11-7/8" L) | 1 | 1 |
| 4 | | 1121135 | Tube, Pivot/Slide, Straight, Steel, Black (13-7/8" L) | 1 | 1 |
| 4 | E | 1091745-NLA | NLA - Tube, Pivot/Slide, Straight, Steel, Chrome (13-7/8" L) | 1 | 1 |
| 5 | | 1048816 | Screw, Nylon Adjustment (1/2-13 x 7/8") | 1 | 1 |
| 6 | | 1052102 | Hinge, Footplate - Right | 1 | 1 |
| 6 | | 1052103 | Hinge, Footplate - Left | 1 | 1 |
| 7 | | 1029545 | Screw, Socket Flat Head (1/4-20 x 3/4") | 1 | 2 |
| 8 | | 7930321-NLA | NLA Package, Screw, Socket Button Head (1/4-20 x 1-7/8") | 25 | 1 |
| 9 | | 1026900 | Washer (1/4 x 23/32 x 1/16") | 1 | 1 |
| 10 | | 7930313 | Package, Washer, Nylon (5/16 x 7/8 x 1/8") | 25 | 1 |
| 11 | | 1036435 | Washer, Nylon (1/4 x 7/8 x 1/32") | 1 | 1 |
| 12 | | 1025457 | Spacer, Coved (1/4 x 3/4 x 11/32") | 1 | 1 |
| 13 | | 1026099 | Spacer, Coved (1/4 x 11/16 x 1/2") | 1 | 1 |
| 14 | | 1026907 | Washer (1/4 x 1/2 x 1/16") | 1 | 1 |
| 15 | | 7930333 | Locknut (1/4-20) | 25 | 1 |
| 16 | | 1082686 | Nut, Barrel, Hex Head (1/4-20 x 11/16") | 1 | 2 |

NOTE: A - Includes Items 2 thru 16.
 B - For 12-13" wide chairs.
 C - For 14-15" wide chairs.
 D - For 16" and wider chairs.
 E - For PAS4A and PAL4A only.
 F - This footplate was revised on 9/2/2008 with rounder corners and accessory holes changed from 8 to 4. Recommended to replace footplate in pairs to match sides.

#1 Pivot/Slide Tube w/ Footplate Assemblies

| Rigging Type | 90 and 70MFX (9-7/8" Tube) | 60, 60MFX, 70 PW93, PW93E AT5544, P904 (9-7/8" Tube) | 60, 60MFX, 70 PW93, PW93E AT5544, P904 (11-7/8" Tube) | 60, 60MFX, 70 PW93, PW93E AT5544, P904 (13-7/8" Tube) | PAS4A and PAL4A (13-7/8" Tube) |
|-------------------------------------|----------------------------|--|---|---|--------------------------------|
| 12-13" W - Right (4-1/4" Footplate) | 1060436-NLA | 1060442 | N/A | 1121136-NLA | N/A |

Adjustable Angle Footplate Assembly - AT5543

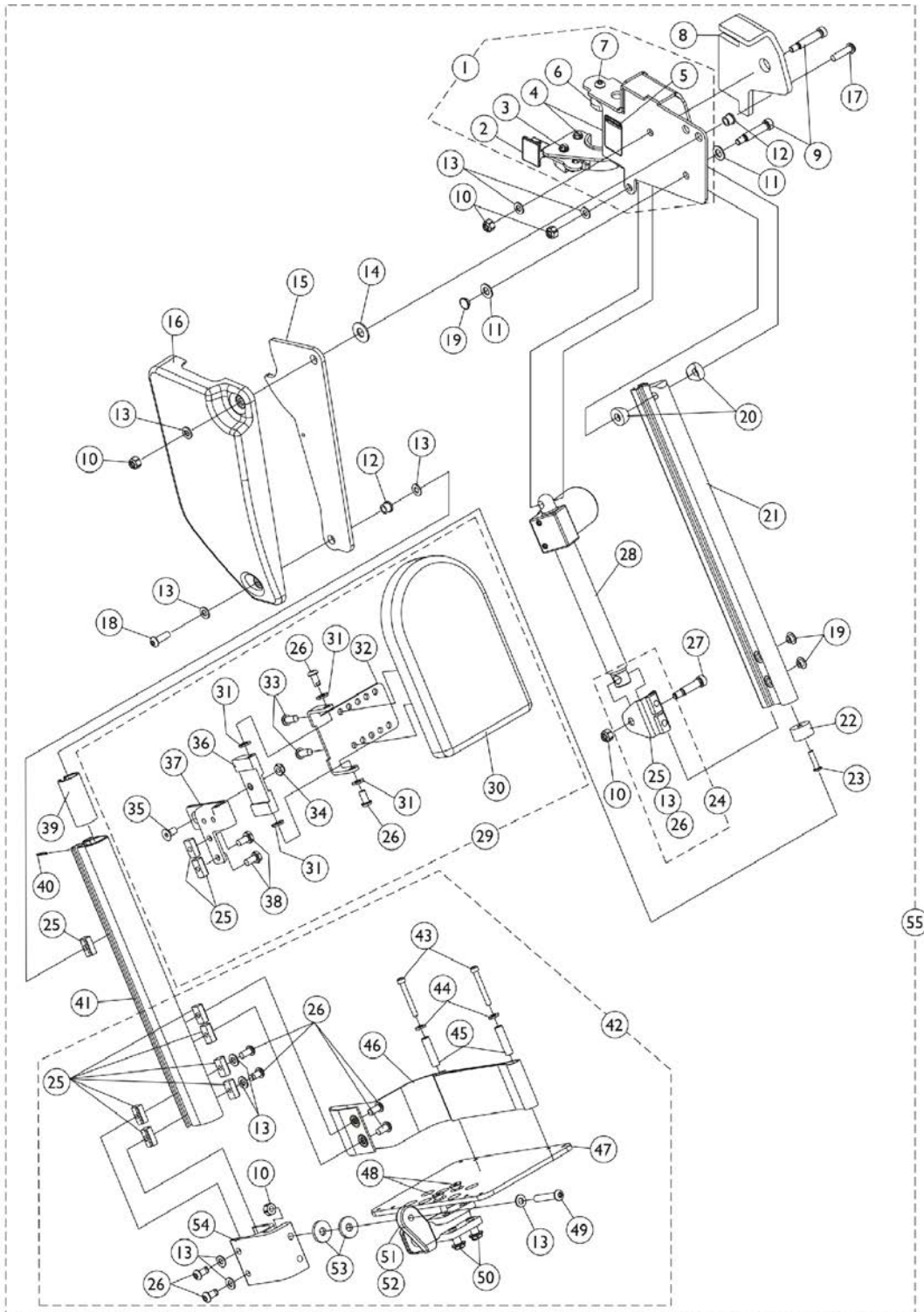
90°, 70°, PHW93, AT5544, PH93M2, PHAL4A Swingaway Supports

NOTE: Heel loops are not included. See footrest and legrest accessories.

#1 Pivot/Slide Tube w/ Footplate Assemblies

| Rigging Type | 90 and 70MFX (9-7/8" Tube) | 60, 60MFX, 70 PW93, PW93E AT5544, P904 (9-7/8" Tube) | 60, 60MFX, 70 PW93, PW93E AT5544, P904 (11-7/8" Tube) | 60, 60MFX, 70 PW93, PW93E AT5544, P904 (13-7/8" Tube) | PAS4A and PAL4A (13-7/8" Tube) |
|--|-------------------------------|---|--|--|--------------------------------------|
| 12-13" W - Left (4-1/4" Footplate) | 1060437 | 1060443 | N/A | 1121137-NLA | N/A |
| 14-15" W - Right (5-1/4" Footplate) | 1060438 | 1060444 | 1062758 | 1121138-NLA | 1091775-NLA |
| 14-15" W - Left (5-1/4" Footplate) | 1060439 | 1060445 | 1062759 | 1121139-NLA | 1091776-NLA |
| 16" and Wider - Right (6-1/4" Footplate) | 1062570 | 1062756 | 1062760 | 1121140 | 1091777-NLA |
| 16" and Wider - Left (6-1/4" Footplate) | 1062571 | 1062757 | 1062761 | 1121141 | 1091778-NLA |

Power Articulating Legrest ELRPW/ELRPW 22



Power Articulating Legrest ELRPW/ELRPW 22

| Item Number | Note | Part Number | Description | Quantity Per | |
|-------------|------|--------------|--|--------------|----------|
| | | | | Package | Assembly |
| 1 | A | 1125436 | Legrest Support Assembly, Sector, Black - Right | 1 | 1 |
| 1 | A | 1125437 | Legrest Support Assembly, Sector, Black - Left | 1 | 1 |
| 2 | | 1025454 | Housing, Latch - Right | 1 | 1 |
| 2 | | 1025455 | Housing, Latch - Left | 1 | 1 |
| 3 | | 1017423 | Screw, Slotted Hex Washer Head w/ Patch (#10-32 x 1/2") | 1 | 1 |
| 4 | | 1025451 | Screw, Slotted Hex Washer Head (#10-32 x 5/8") | 1 | 2 |
| 5 | | 1079203 | Decal, Warning Pinch Point | 1 | 1 |
| 6 | | 1099685 | Plug, Pivot | 1 | 1 |
| 7 | | 1091870 | Screw, Socket Button Head w/ Patch (1/4-20 x 3/4") | 1 | 1 |
| 8 | | 1125433 | Pad, Cushion - Right | 1 | 1 |
| 8 | | 1125434 | Pad, Cushion - Left | 1 | 1 |
| 9 | | 1025351-NLA | NLA - Screw, Shoulder Hex Socket Head (5/16" x 1-1/4", 1/4-20) | 1 | 2 |
| 10 | | 1025736 | Locknut (1/4-20) | 1 | 5 |
| 11 | | 1025704 | Washer, Flat (5/16 x 5/8 x 1/16") | 1 | 1 |
| 12 | | 1099671 | Bearing, Flange (1/4 x 5/16" Long) | 1 | 2 |
| 13 | | 1026907 | Washer (1/4 x 1/2 x 1/16") | 1 | 12 |
| 14 | | 1012371 | Washer, Nylon (3/8 x 7/8 x 1/16") | 1 | 1 |
| 15 | | 1125424 | Plate, Pivot | 1 | 1 |
| 16 | | 1110746 | Cover, Legrest Support - Right | 1 | 1 |
| 16 | | 1110747 | Cover, Legrest Support - Left | 1 | 1 |
| 17 | | 1009837 | Screw, Socket Button Head (1/4-20 x 1") | 1 | 1 |
| 18 | | 1091870 | Screw, Socket Button Head w/ Patch (1/4-20 x 3/4") | 1 | 1 |
| 19 | | 1101883 | Glide | 1 | 2 |
| 20 | | 0175600 | Spacer, Coved (5/16 x 3/4 x 3/8") | 1 | 2 |
| 21 | | 1110741 | Extrusion, Internal Slide (14-1/4" L) | 1 | 1 |
| 22 | | 1099702 | Glide, Internal | 1 | 1 |
| 23 | | 1018846 | Screw, Socket Button Head (#10-24 x 3/4") | 1 | 1 |
| 24 | B | 1110972 | Actuator Motor Bracket Assembly | 1 | 1 |
| 25 | | 1082699 | T-Nut (1/4-20) | 1 | 11 |
| 26 | | 1100023 | Screw, Button Head w/ Patch (1/4-20 x 1/2") | 1 | 10 |
| 27 | | 1087417-NLA | NLA - Screw, Shoulder Hex Socket Head (5/16" x 1", 1/4-20) | 1 | 1 |
| 28 | | 1110724 | Motor, Actuator - Right | 1 | 1 |
| 28 | | 1110725 | Motor, Actuator - Left | 1 | 1 |
| 29 | C | 8881110977 | Calf Pad Assembly with Hardware - Right | 1 | 1 |
| 29 | C | 8881111715 | Calf Pad Assembly with Hardware - Left | 1 | 1 |
| 30 | | 88804529X003 | Pad, Legrest, Vinyl - Right | 1 | 1 |
| 30 | | 88804529X004 | Pad, Legrest, Vinyl - Left | 1 | 1 |
| | D,F | 1110748-NLA | NLA - Hardware, Calf Pad Bracket | 1 | 1 |
| 31 | | 1026033 | Washer, Nylon (1/4 x 1/2 x 1/16") | 1 | 4 |
| 32 | | 1099700-NLA | NLA - Bracket, Calf Pad Mounting, Black | 1 | 1 |
| 33 | | 1029157 | Screw, Phillips Pan Head w/Patch (#10-32 x 7/8") | 1 | 2 |
| 34 | | 1025765 | Locknut (1/4-28) | 1 | 1 |

Power Articulating Legrest ELRPW/ELRPW 22

| Item Number | Note | Part Number | Description | Quantity Per | |
|---|------|-------------|---|--------------|----------|
| | | | | Package | Assembly |
| 35 | | 1074191-NLA | NLA - Screw, Socket Flat Head (1/4-28 x 1/2") | 1 | 1 |
| 36 | | 1099690-NLA | NLA - Block, Calf Pad | 1 | 1 |
| 37 | | 1111716 | Bracket, Calf Pad Block Mounting, Black - Right | 1 | 1 |
| 37 | | 1111717 | Bracket, Calf Pad Block Mounting, Black - Left | 1 | 1 |
| 38 | | 1078214 | Screw, Hex Head w/ Patch (1/4-20 x 1/2") | 1 | 2 |
| 39 | | 1110742 | Bushing, Sleeve | 1 | 1 |
| 40 | | 1079151-NLA | NLA - Pin, Roll (5/64 x 5/8") | 1 | 1 |
| 41 | | 1121026 | Extrusion, External (12-1/2" L) (ELRPW22 Before 7/22/04) and (ELRPW20 After 7/21/04) | 1 | 1 |
| 41 | | 1125435 | Extrusion, External - ELRPW22 (14-1/2" L) | 1 | 1 |
| 42 | E | 1101114 | Footplate Assembly, Adjustable Angle, Black - Right (5-1/4" W) | 1 | 1 |
| 42 | E | 1101115 | Footplate Assembly, Adjustable Angle, Black - Left (5-1/4" W) | 1 | 1 |
| 43 | | 1023965-NLA | NLA - Screw, Socket Head (#10-32 x 1-1/2") | 1 | 2 |
| 44 | | 1028516 | Washer, Steel (3/16 x 7/16 x 1/16") | 1 | 2 |
| 45 | | 1015629-NLA | NLA - Bushing | 1 | 2 |
| 46 | | 1101268 | Heel Loop Assembly - Right | 1 | 1 |
| 46 | | 1101269 | Heel Loop Assembly - Left | 1 | 1 |
| 47 | | 1060427-NLA | NLA - Footplate, Adjustable Angle, Large, Black (5-1/4" W x 8" L) | 1 | 1 |
| 48 | | 1029545 | Screw, Socket Flat Head (1/4-20 x 3/4") | 1 | 2 |
| 49 | | 1008495 | Screw, Socket Button Head (1/4-20 x 1-1/2") | 1 | 1 |
| 50 | | 1082686 | Nut, Barrel, Hex Head (1/4-20 x 11/16") | 1 | 2 |
| 51 | | 1052102 | Hinge, Footplate - Right | 1 | 1 |
| 51 | | 1052103 | Hinge, Footplate - Left | 1 | 1 |
| 52 | | 1048816 | Screw, Nylon Adjustment (1/2-13 x 7/8") | 1 | 1 |
| 53 | | 1016301 | Washer, Nylon (5/16 x 7/8 x 1/8") | 1 | 2 |
| 54 | | 1099678 | Extrusion, Footplate Adapter | 1 | 1 |
| 55 | G | 1126091 | Legrest Assembly, Power Articulating, Sector, Black (13 - 20" Range) - Right | 1 | 1 |
| 55 | G | 1126092 | Legrest Assembly, Power Articulating, Sector, Black (13 - 20" Range) - Left | 1 | 1 |
| 55 | G | 1126093 | Legrest Assembly, Power Articulating, Sector, Black (15 - 22" Range) - Right | 1 | 1 |
| 55 | G | 1126094 | Legrest Assembly, Power Articulating, Sector, Black (15 - 22" Range) - Left | 1 | 1 |
| NOTE: A - Includes items 2-7 B - Includes items 13, 25 and 26 C - Includes Items 25, 26 and 30-38 D - Includes Items 25, 26, 31-36, 38 E - Includes Items 10, 13, 25, 26 and 43-54 F - Not Shown G - Includes items 1, 8-23, 24, 27, 28, 29, 39-41 and 42 | | | | | |

Footrest & Legrest Accessories

NOTE: Heel loop replacements for Power Articulating Legrest can be found on the Power Articulating Legrest page.

| Item Number | Note | Part Number | Description | Quantity Per | |
|-------------|------|-------------|---|--------------|----------|
| | | | | Package | Assembly |
| | A | 1032243 | Strap, Calf w/ Hook and Loop (36" L) | 1 | 1 |
| | A,C | 1032214 | H-Strap (24" L) | 1 | 1 |
| | A,D | 1032215 | H-Strap (26" L) | 1 | 1 |
| | A,E | 1032216 | H-Strap (31" L) | 1 | 1 |
| | A,B | 8881038231 | Kit, 3" Extension w/ Hardware (Pair) | 2 | 1 |
| | A,F | 1026987 | Guard, Impact (8" L) | 1 | 2 |
| | A | See Chart | Heel Loops and Hardware (Not Including AT5043/AT5543) | 1 | 1 |
| | A | See Chart | Attaching Hardware Part Numbers (Not Including AT5043/AT5543) | 1 | 1 |
| | A | See Chart | AT5043 and AT5543 Heel Loops, Heel Loops w/ Ankle Straps and Hardware | 1 | 1 |
| | A | See Chart | Toe Loops and Hardware | 1 | 1 |

NOTE: A - Not Shown
 B - Specify frame color when ordering. See page titled "Frame Finishes and Touch-Up Paints".
 C - 12-14" wide seats
 D - 15-16" wide seats
 E - 17" and wider seats
 F - For 70 deg. Tapered Footrest.

Heel Loops and Hardware (Not Including AT5043/AT5543)

| Footplate Type | Chair Width | Heel Loop Single # | Heel Loop Pair # | Heel Loop w/ Ankle Strap Single # Rt. | Heel Loop w/ Ankle Strap Single # Lt. | Heel Loop w/ Ankle Strap Pair # | Attaching Hardware Pair # |
|--------------------------|---------------------------------------|--------------------|------------------|---------------------------------------|---------------------------------------|---------------------------------|---------------------------|
| Composite Small (1651) | 12-14" W or 15-17" W Tapered | 1028412-NLA | 1035912-NLA | 1035908-NLA | 1035909-NLA | 1035906 | 1035931-NLA |
| Composite Medium (1651) | 15-16" W or 18-19" W Tapered | 1017621 | 1035917 | 1035919 | 1035920 | 1035918 | 1035931-NLA |
| Composite Large (1651) | 17-24" W or 20-24" W Tapered | 1017621 | 1035917 | 1035932-NLA | 1035933-NLA | 1035930 | 1035931-NLA |
| Standard Aluminum (1650) | 14-15" W | 1025234-NLA | 1035905 | 1035908-NLA | 1035909-NLA | 1035906 | 1035907 |
| Standard Aluminum (1650) | 16-24" W | 1017621 | 1035917 | 1035919 | 1035920 | 1035918 | 1035907 |
| X-Large Aluminum (1350) | 16-24" W | 1017621 | 1035917 | 1035919 | 1035920 | 1035918 | 1055241 |

Footrest & Legrest Accessories

NOTE: Heel loop replacements for Power Articulating Legrest can be found on the Power Articulating Legrest page.

Attaching Hardware Part Numbers (Not Including AT5043/AT5543)

| Footplate Type | Part Number | Part Number Consists of |
|-----------------------------|-------------|--|
| Composite (1651) | 1035931-NLA | (2) Screw, Phillips Pan Head (1/4-20 x 2-1/4") (2) Spacer (1/4 x 11/32 x 1-3/4") (2) Hex Nut w/ Nylon Cap (1/4-20) (2) Flat Washer (1/4 x 5/8 x 1/16") |
| Standard Aluminum (1650) | 1035907 | (2) Screw, Phillips Pan Head (1/4-20 x 2-1/2") (2) Spacer (1/4 x 11/32 x 1-3/4") (2) Locknut (1/4-20) |
| X-Large Aluminum (1350) | 1055241 | 2 each Screw, Phillips Pan Head (1/4-20 x 2-1/4") 2 each Spacer (1/4 x 11/32 x 1-3/4") 2 each Locknut (1/4-20) |

Footrest & Legrest Accessories

NOTE: Heel loop replacements for Power Articulating Legrest can be found on the Power Articulating Legrest page.

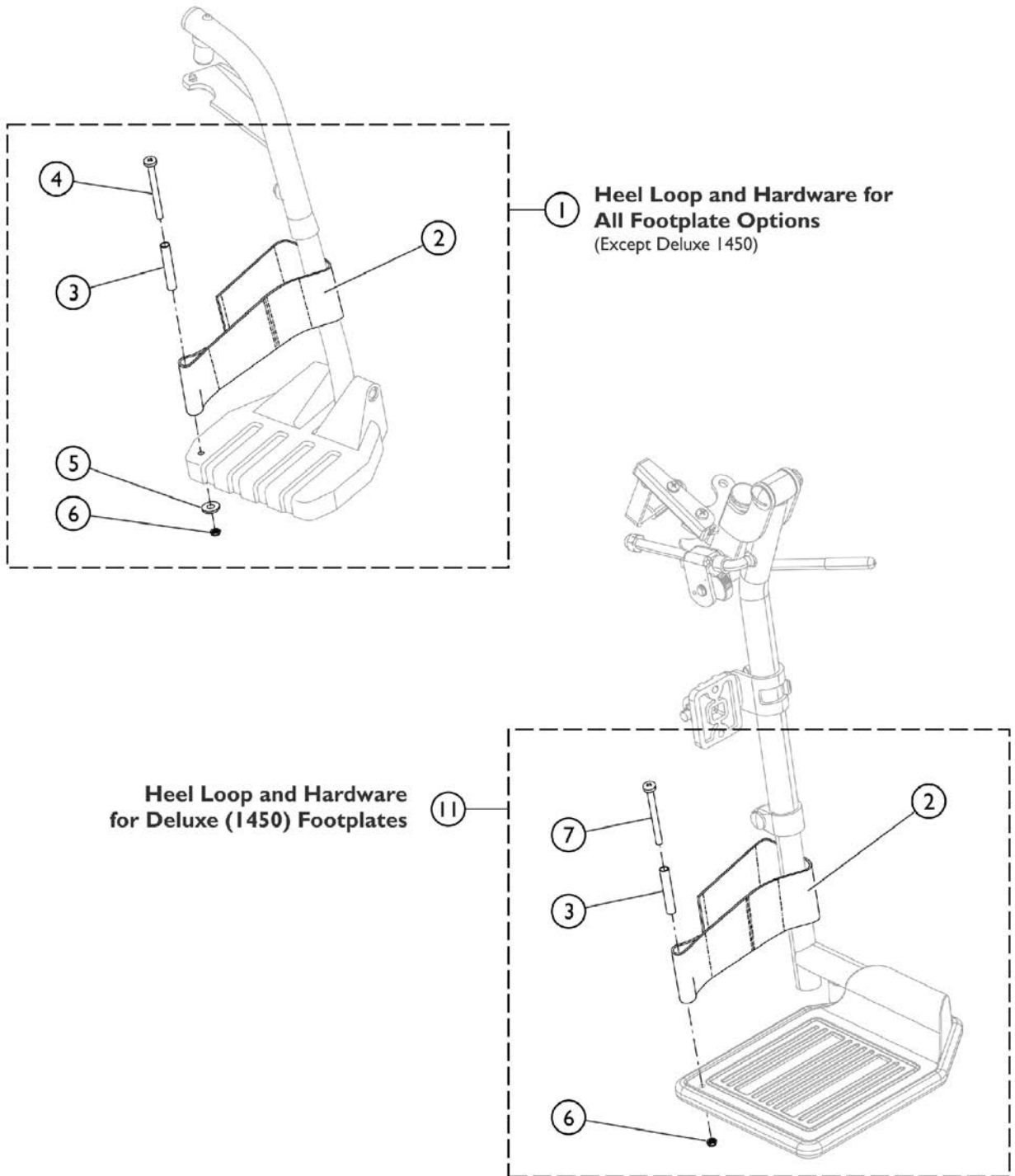
AT5043 and AT5543 Heel Loops, Heel Loops w/ Ankle Straps and Hardware

| Footplate Type | Part Number | Part Number Consists of |
|--------------------------------------|--|---|
| AT5043 Flip-Up and AT5543 Adj. Angle | 1160723 Kit, Heel Loop w/ Hardware, Adjustable Angle Footplate (Pair) | (2) Heel Loops (4) Screw, Phillips Pan Head (1/4-20 x 2-1/4") (4) Spacer (4) Locknut (1/4-20) |
| AT5043 Flip-Up and AT5543 Adj. Angle | 1160724 Kit, Heel Loop w/ Ankle Strap and Hardware, Adjustable Angle Footplate (Pair) | (2) Heel Loops w/ Ankle Straps (4) Screw, Phillips Pan Head (1/4-20 x 2-1/4") (4) Spacer (4) Locknut (1/4-20) |
| Attaching Hardware Only | 1035931-NLA NLA - Kit, Heel Loop Attaching Hardware (Pair) | (2) Screw, Phillips Pan Head (1/4-20 x 2-1/4") (2) Spacer (1/4 x 11/32 x 1-3/4") (2) Hex Nut w/ Nylon Cap (1/4-20) (2) Flat Washer (1/4 x 5/8 x 1/16") |

Toe Loops (1345) and Attaching Hardware

| Footplate Type | Toe Loop w/o Hardware Single # | Toe Loop w/o Hardware Pair # | Attaching Hardware Part Number | Attaching Hardware Consists of |
|------------------------------|--------------------------------|------------------------------|--------------------------------|---|
| 1651, 1650, 1350, Footplates | 04572X025 | 1037087 | 1037089 | 4 each Screw, Phillips Pan Head (10-32 x 7/8") 4 each Washer (1/4 x 3/4 x 3/32") 4 each Locknut (10-32) |
| AT5043 and AT5543 Footplates | 04572X025 | 1037087 | 1104749 | 4 each Screw, Phillips Pan Head (10-32 x 1/2") 4 each Washer (1/4 x 3/4 x 3/32") |

Front Riggings - Adjustable Heel Loops

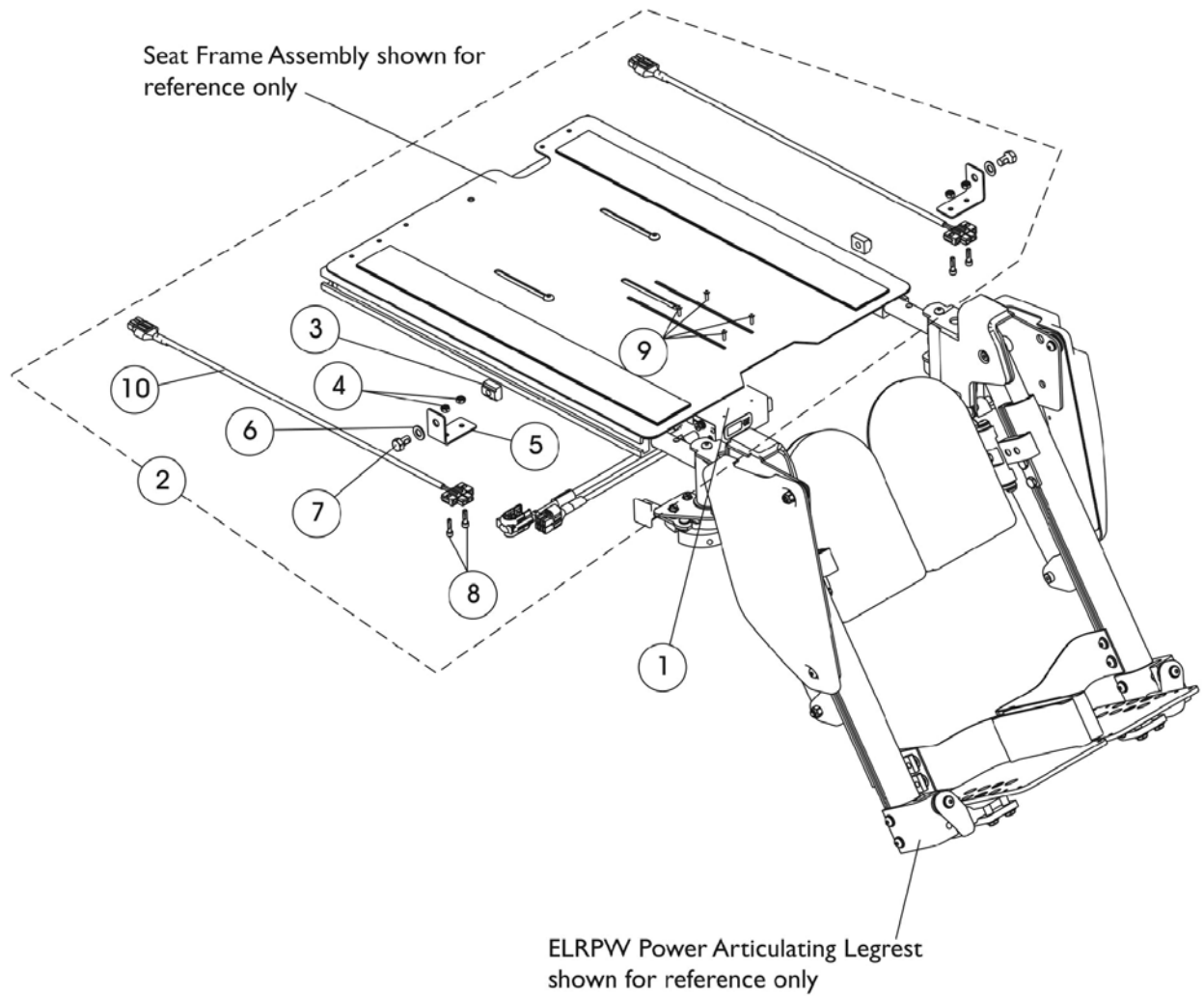


SCM_058A

Front Riggings - Adjustable Heel Loops

| Item Number | Note | Part Number | Description | Quantity Per | |
|--|------|-------------|--|--------------|----------|
| | | | | Package | Assembly |
| 1 | A | 1191117 | Kit, Heel Loop, Adjustable w/ Hardware (Pair) | 1 | 1 |
| 2 | | | Heel Loop | 1 | 2 |
| 3 | | | NLA - Spacer (1/4 x 11/32 x 1-3/4") | 1 | 2 |
| 4 | | | NLA - Screw, Phillips Pan Head (1/4-20 x 2-1/4") | 1 | 2 |
| 5 | | | Washer, Flat (1/4 x 5/8 x 1/16") | 1 | 2 |
| 6 | | | Nut, Hex, Nylon Cap (1/4-20) | 1 | 2 |
| | | | Instruction Sheet, Adjustable Heel Loop | 1 | 1 |
| 11 | B | 1191116 | Kit, Heel Loop, Adjustable w/ Hardware, Deluxe 1450 (Pair) | 1 | 1 |
| 2 | | | Heel Loop | 1 | 2 |
| 3 | | | NLA - Spacer (1/4 x 11/32 x 1-3/4") | 1 | 2 |
| 6 | | | Nut, Hex, Nylon Cap (1/4-20) | 1 | 2 |
| 7 | | | NLA - Screw, Phillips Pan Head (1/4-20 x 2-1/2") | 1 | 2 |
| | | | Instruction Sheet, Adjustable Heel Loop | 1 | 1 |
| NOTE: A - Kit includes items 2 - 6. Used with all Footplates except Deluxe (1450). B - Kit includes items 2, 3, 6, and item 7. Used with Deluxe (1450) Footplates only. | | | | | |

Power Articulating Legrest ELRPW Harness, Hdwr. and DLIAM (Dual Legs Integrated Actuator Module)



Power Articulating Legrest ELRPW Harness, Hdwr. and DLIAM (Dual Legs Integrated Actuator Module)

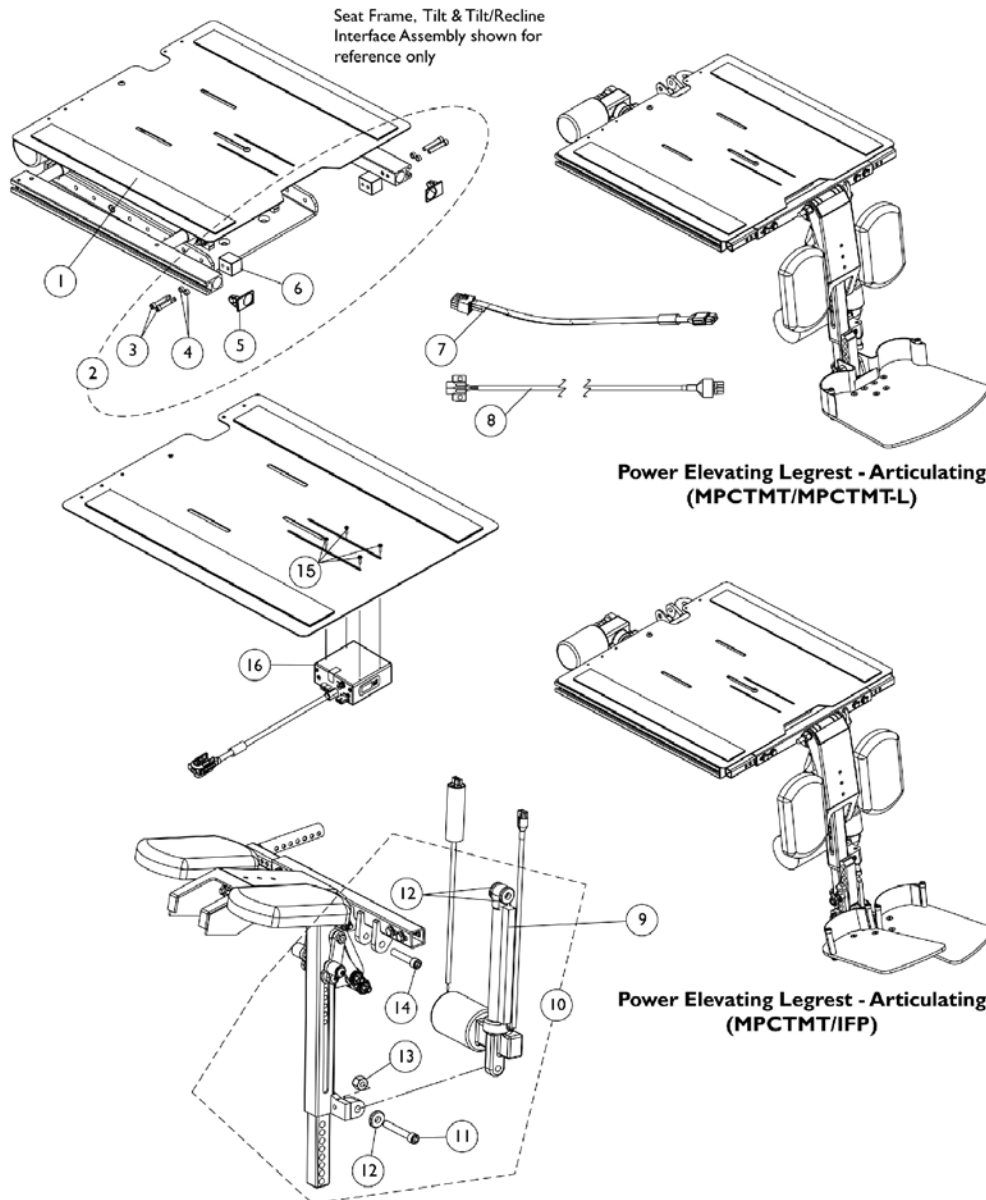
| Item Number | Note | Part Number | Description | Quantity Per | |
|-------------|------|-------------|--|--------------|----------|
| | | | | Package | Assembly |
| 1 | B | 1140032 | Module, Dual Legs Integrated Actuator (DLIAM) - MK6i (54" L) | 1 | 1 |
| 2 | A,B | 1144585 | Kit, ELRPW Power Articulating Legrest Harnesses and Mtg. Hdwr. For Formula CG (Pair) | 2 | 1 |
| 3 | | | T-Nut (5/16-18) | 1 | 2 |
| 4 | | | Locknut (#8-32) | 1 | 4 |
| 5 | | | NLA - Bracket, Wire Harness, Black | 1 | 2 |
| 6 | | | Washer, Flat (5/16 x 5/8 x 1/16") | 1 | 2 |
| 7 | | | NLA - Screw, Hex Head w/ Patch (5/16-18 x 1/2") | 1 | 2 |
| 8 | | | NLA - Screw, Socket Head (#8-32 x 5/8") | 1 | 4 |
| 9 | | | Screw, Phillips Pan Head (#4-40 x 3/8") | 1 | 4 |
| 10 | | | Harness, ELRPW Power Legrest - Right | 1 | 1 |
| 10 | | | Harness, ELRPW Power Legrest - Left | 1 | 1 |

NOTE: A - Includes items 3-10
 B - On 2/28/07 the Dual Leg Actuator Module (DLIAM) harness cable that plugs into item #10 RLRPW Power Legrest Harness Assembly was lengthened from approximately 3" to 20" long to eliminate the need for the ELRPW Power Legrest Harness Assemblies.

Power Elevating Legrest - Articulating (MPCTMT/MPCTMT-L)

For TDX SP/SP-GT/SR (Before 01/01/09)

NOTE: A complete set of Power Elevating Legrest-Articulating must be ordered thru Invacare's Equipment Configurator. Request Customer Service to review their reference document "Parts Pal" first before ordering.



NOTE: The Smart Actuator Motor and Mounting Hardware called out is available thru Invacare Corporation only. For all other individual replacement parts for the Power Elevating Legrest call Motion Concepts at 1-888-433-6818

Power Elevating Legrest - Articulating (MPCTMT/MPCTMT-L)

For TDX SP/SP-GT/SR (Before 01/01/09)

NOTE: A complete set of Power Elevating Legrest-Articulating must be ordered thru Invacare's Equipment Configurator. Request Customer Service to review their reference document "Parts Pal" first before ordering.

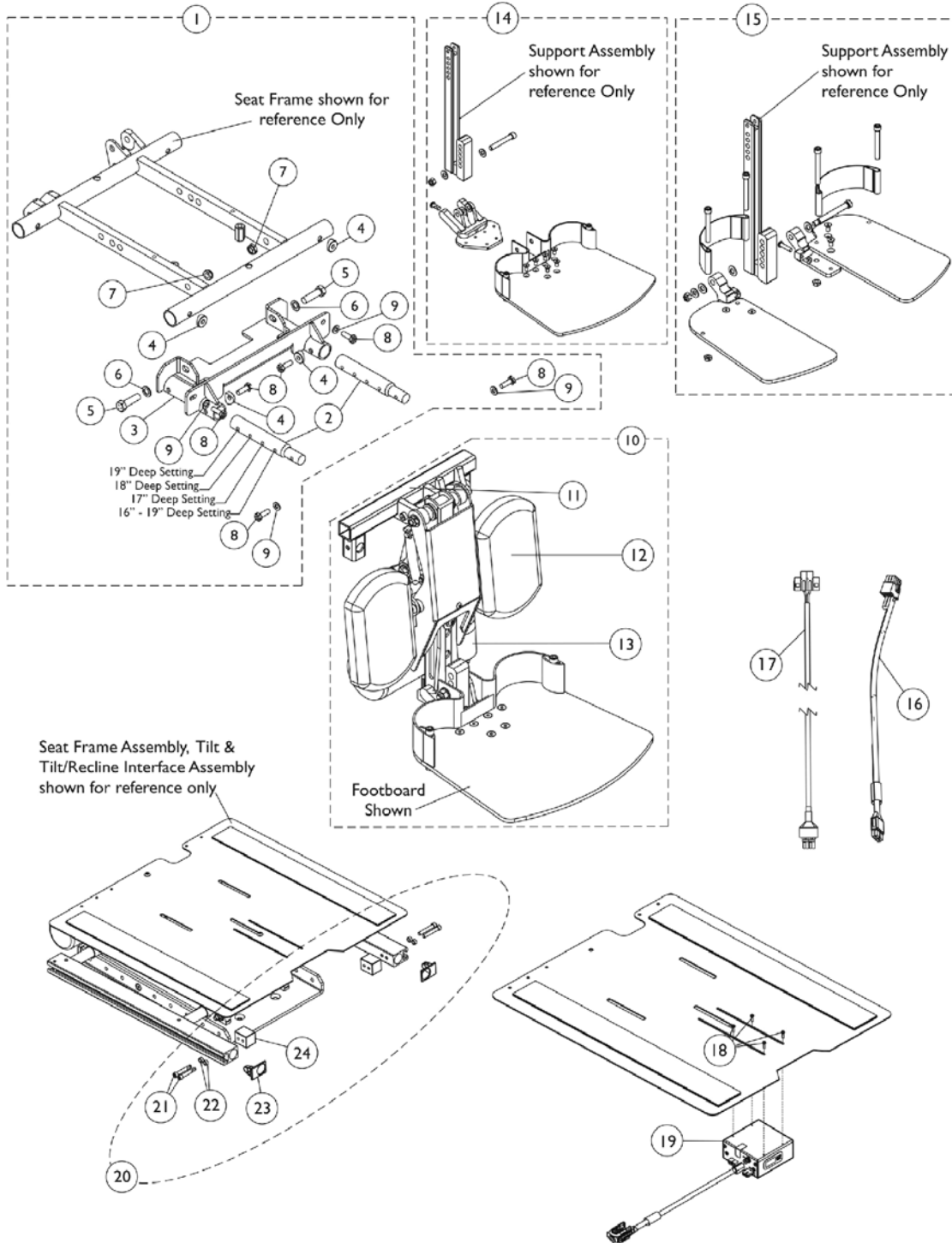
| Item Number | Note | Part Number | Description | Quantity Per | |
|-------------|------|-------------|---|--------------|----------|
| | | | | Package | Assembly |
| 1 | A,B | 1143748 | Pan, Seat, with Hook and Loop Fasteners (16 - 20" W x 16 - 19" D) | 1 | 1 |
| 1 | A,B | 1143789 | Pan, Seat, with Hook and Loop Fasteners (16 - 20" W x 19 - 22" D) | 1 | 1 |
| 1 | A,B | 1143790 | Pan, Seat with Hook and Loop Fasteners (20 - 24" W x 16 - 19" D) | 1 | 1 |
| 1 | A,B | 1143791 | Pan, Seat, with Hook and Loop Fasteners (20 - 24" W x 19 - 22" D) | 1 | 1 |
| 2 | B | 1147045 | Kit, Power Elevating Legrest-Articulating Mtg. Hdwr. (MPCTMT/MPCTMT-L) | 1 | 1 |
| 3 | | | Screw, Socket Head Cap w/ Patch (1/4-20 x 1-1/2") | 1 | 4 |
| 4 | | | Spacer (1/4 x 3/8 x 3/16") | 1 | 4 |
| 5 | | | Cap, End, Side Rail, Black | 1 | 2 |
| 6 | | | Block, Threaded | 1 | 2 |
| 7 | E | 1148708 | Harness, Power Elevating Legrest-Articulating (MPCTMT/MPCTMT-L) | 1 | 1 |
| 8 | E | 1101401 | Harness, ELRPW Power Legrest - Left | 1 | 1 |
| 9 | G | 1142235-NLA | NLA - Motor, MPCTMT Smart Actuator | 1 | 1 |
| 10 | C | 1153719-NLA | NLA - Kit, MPCTMT Actuator Motor Mounting Hardware | 1 | 1 |
| 11 | | | Screw, Socket Head (3/8-16 x 2-1/2") | 1 | 1 |
| 12 | | | Spacer (3/8 x 1 x 1/2") | 1 | 3 |
| 13 | | | NLA - Locknut (3/8-16) | 1 | 1 |
| 14 | | | Screw, Socket Head w/ Patch (3/8-16 x 2") | 1 | 1 |
| 15 | | 1021742 | Screw, Phillips Pan Head (#4-40 x 1/2") | 1 | 4 |
| 16 | F | 1151959 | Center Mount Leg Integrated Actuator Module (CMLIAM) for MPCTMT Legrest w/ Smart Actuator (54" L) | 1 | 1 |
| | D,D1 | 1142951 | Rail, Seat Frame (For 12 - 19" D Conventional) | 1 | 1 |
| | D,D1 | 1142952 | Rail, Seat Frame (For 19 - 22" D Conventional) | 1 | 1 |

NOTE: A - When ordering a complete set of Power Elevating Legrest-Articulating for the first time for chairs manufactured before 3/5/07, a frontal notched out Seat Pan must be ordered separately.
 B - Includes items 3-6
 C - Includes items 11-14. Part # 1153719 Mounting Hardware can be used for both MPCTMT Conventional and Smart Actuator Motors
 D - Not Shown. When a customer is ordering Power Elevating Legrest for the first time and a Contoura Seating System is used, the shorter seat rails used for Conventional Backs must be ordered also.
 D1 - This will prevent the legrest from being positioned to far forward
 E - Items 7 and 8 are used for a MPCTMT Conventional Actuator Motor only. Item #8 is used for both ELRPW and MPCTMT Power Legrest applications.
 F - Item 16 is not used when MPCTMT Legrest are ordered with a MPCTMT Conventional Actuator Motor
 G - Refer to Motion Concepts at 1-888-433-6818 when replacing the MPCTMT Conventional Actuator Motor

Power Elevating Legrest - Articulating (MPCTMT/MPCTMT-L)

For TDX SP/SP-GT/SR (After 12/31/08)

Replacement parts for chairs with MPCTMT built after 12/31/08.



Power Elevating Legrest - Articulating (MPCTMT/MPCTMT-L)

For TDX SP/SP-GT/SR (After 12/31/08)

Replacement parts for chairs with MPCTMT built after 12/31/08.

| Item Number | Note | Part Number | Description | Quantity Per | |
|-------------|------|-------------|---|--------------|----------|
| | | | | Package | Assembly |
| 1 | A | 1141667 | Kit, Power Elevating Legrest Mounting Hardware (16-19" D) | 1 | 1 |
| 2 | | | Bar, Extension, Power Center Mount (16 - 19" D) | 1 | 2 |
| 3 | | | Bracket, Rear, Power Center Mount | 1 | 1 |
| 4 | | | Spacer, Coved (1/4 x 11/16 x 1/2") | 1 | 4 |
| 5 | | | NLA - Screw, Hex Head (3/8-16 x 1-1/4") | 1 | 2 |
| 6 | | | Washer, Plain (1/4 x 9/16 x 1/16") | 1 | 2 |
| 7 | | | Locknut, Low Profile (3/8-16) | 1 | 2 |
| 8 | | | Screw, Hex Head w/ Patch (1/4-20 x 3/4") | 1 | 6 |
| 9 | | | Washer (1/4 x 1/2 x 1/16") | 1 | 4 |
| 1 | A | 1141668 | Kit, Power Elevating Legrest Mounting Hardware (19-20" D) | 1 | 1 |
| 2 | | | Bar, Extension, Power Center Mount (19 - 20" D) | 1 | 2 |
| 3 | | | Bracket, Rear, Power Center Mount | 1 | 1 |
| 4 | | | Spacer, Coved (1/4 x 11/16 x 1/2") | 1 | 4 |
| 5 | | | NLA - Screw, Hex Head (3/8-16 x 1-1/4") | 1 | 2 |
| 6 | | | Washer, Plain (1/4 x 9/16 x 1/16") | 1 | 2 |
| 7 | | | Locknut, Low Profile (3/8-16) | 1 | 2 |
| 8 | | | Screw, Hex Head w/ Patch (1/4-20 x 3/4") | 1 | 6 |
| 9 | | | Washer (1/4 x 1/2 x 1/16") | 1 | 4 |
| 1 | A | 1141669 | Kit, Power Elevating Legrest Mounting Hardware (21-22" D) | 1 | 1 |
| 2 | | | Bar, Extension, Power Center Mount (21-22" D) | 1 | 2 |
| 3 | | | Bracket, Rear, Power Center Mount | 1 | 1 |
| 4 | | | Spacer, Coved (1/4 x 11/16 x 1/2") | 1 | 4 |
| 5 | | | NLA - Screw, Hex Head (3/8-16 x 1-1/4") | 1 | 2 |
| 6 | | | Washer, Plain (1/4 x 9/16 x 1/16") | 1 | 2 |
| 7 | | | Locknut, Low Profile (3/8-16) | 1 | 2 |
| 8 | | | Screw, Hex Head w/ Patch (1/4-20 x 3/4") | 1 | 6 |
| 9 | | | Washer (1/4 x 1/2 x 1/16") | 1 | 4 |
| 10 | B | 1162010 | Power Center Mount Assembly w/ Footboard | 1 | 1 |
| 10 | B | 1162011 | Power Center Mount Assembly w/ Footboard - Long | 1 | 1 |
| 10 | B | 1162012 | Power Center Mount Assembly w/ Footplate (Pair) | 1 | 1 |
| 10 | B | 1162013 | Power Center Mount Assembly w/ Footplate - Long (Pair) | 1 | 1 |
| 10 | C | 1162018 | Power Center Mount Assembly w/ Footboard | 1 | 1 |
| 10 | C | 1162019-NLA | NLA - Power Center Mount Assembly w/ Footboard - Long | 1 | 1 |
| 10 | C | 1162020 | Power Center Mount Assembly w/ Footplate (Pair) | 1 | 1 |
| 10 | C | 1162021 | Power Center Mount Assembly w/ Footplate - Long (Pair) | 1 | 1 |
| 11 | J | 1141665 | Bracket, MPCTMT Power Center Mount, Black | 1 | 1 |

Power Elevating Legrest - Articulating (MPCTMT/MPCTMT-L)

For TDX SP/SP-GT/SR (After 12/31/08)

Replacement parts for chairs with MPCTMT built after 12/31/08.

| Item Number | Note | Part Number | Description | Quantity Per | |
|-------------|------|-------------|---|--------------|----------|
| | | | | Package | Assembly |
| | F | 1162805 | Kit, Power Center Mount Hardware | 1 | 1 |
| 4 | | | Spacer, Coved (1/4 x 11/16 x 1/2") | 1 | 4 |
| 5 | | | NLA - Screw, Hex Head (3/8-16 x 1-1/4") | 1 | 2 |
| 6 | | | Washer, Plain (1/4 x 9/16 x 1/16") | 1 | 2 |
| 7 | | | Locknut, Low Profile (3/8-16) | 1 | 2 |
| 8 | | | Screw, Hex Head w/ Patch (1/4-20 x 3/4") | 1 | 6 |
| 9 | | | Washer (1/4 x 1/2 x 1/16") | 1 | 4 |
| 12 | G | 1163373 | Kit, Calf Pad (Pair) | 1 | 1 |
| | | | Pad, Calf (4-1/2" W x 7-1/4" L) | 1 | 2 |
| | | | Screw, Socket Button Head w/ Patch (1/4-20 x 3/4") | 1 | 4 |
| 13 | K | 1162452 | Motor, MPCTMT Smart Actuator | 1 | 1 |
| 13 | L | 1168449 | Kit, MPCTMT Conventional Actuator Motor and Mounting Hardware | 1 | 1 |
| | M | 1168410 | Kit, MPCTMT Actuator Motor Mounting Hardware | 1 | 1 |
| 14 | D | 1164849 | Footboard w/ Hardware Assembly, MPCTMT/MPCTMT-L | 1 | 1 |
| 15 | E | 1164309 | Footplate w/ Hardware Assembly, MPCTMT/MPCTMT-L | 1 | 1 |
| 16 | H | 1148708 | Harness, Power Elevating Legrest-Articulating (MPCTMT/MPCTMT-L) | 1 | 1 |
| 17 | H | 1101401 | Harness, ELRPW Power Legrest - Left | 1 | 1 |
| 18 | | 1021742 | Screw, Phillips Pan Head (#4-40 x 1/2") | 1 | 4 |
| 19 | I | 1151959 | Center Mount Leg Integrated Actuator Module (CMLIAM) for MPCTMT Legrest w/ Smart Actuator (54" L) | 1 | 1 |
| 20 | | 1147045 | Kit, Power Elevating Legrest-Articulating Mtg. Hdwr. (MPCTMT/MPCTMT-L) | 1 | 1 |
| 21 | | | Screw, Socket Head Cap w/ Patch (1/4-20 x 1-1/2") | 1 | 4 |
| 22 | | | Spacer (1/4 x 3/8 x 3/16") | 1 | 4 |
| 23 | | | Cap, End, Side Rail, Black | 1 | 2 |
| 24 | | | Block, Threaded | 1 | 2 |

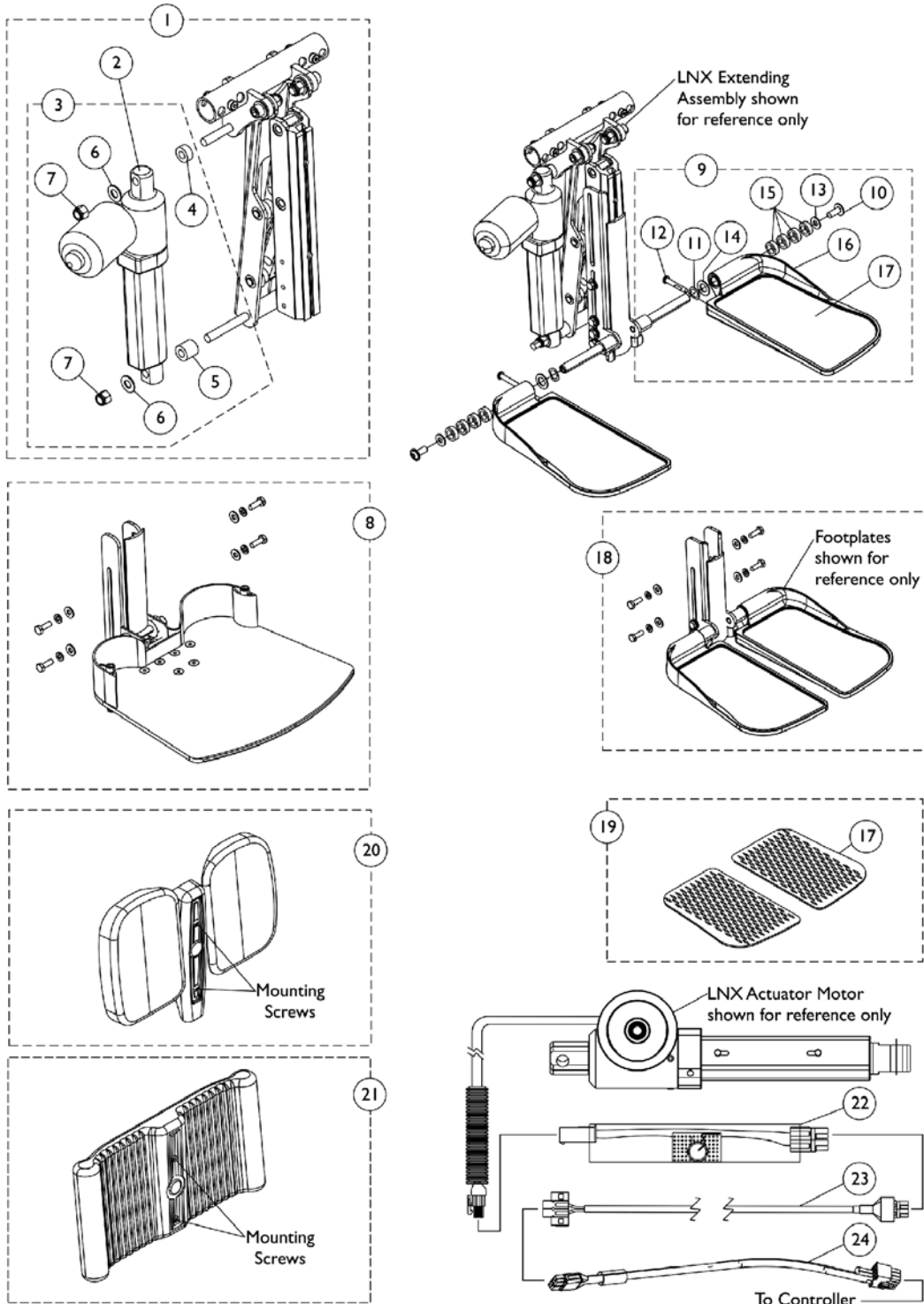
Power Elevating Legrest - Articulating (MPCTMT/MPCTMT-L) For TDX SP/SP-GT/SR (After 12/31/08)

Replacement parts for chairs with MPCTMT built after 12/31/08.

NOTE: A - Includes items 2-9.
B - For use with MPCTMT Conventional Actuator Motor.
C - For use with MPCTMT Smart Actuator Motor.
D - Includes Footboard and attaching hardware.
E - Includes Footplates and attaching hardware.
F - Not shown. Includes items 4-9.
G - Includes Calf Pads and hardware.
H - Items 16 and 17 are used for a MPCTMT Conventional Actuator Motor only. Item #17 is used for both ELRPW and MPCTMT Power Legrest applications.
I - Item 18 is not used when MPCTMT Power Elevating-Articulating Legrest are ordered with a MPCTMT Conventional Actuator Motor
J - Use existing mounting hardware to attach the mounting bracket.
K - The MPCTMT Smart Actuator Motor does not include the MPCTMT Actuator Motor Mounting Hardware part #1168410.
L - The MPCTMT Conventional Actuator Motor includes the MPCTMT Actuator Motor Mounting Hardware part #1168410.
M - Not Shown. MPCTMT Actuator Motor Mounting Hardware can be used for Conventional and Smart MPCTMT Actuator Motors. Individual components are non-saleable.

Power Center Mount Elevating Legrest - Articulating w/o Mounting Hardware (LNX/LNX-L)

Replacement components/Kits are for existing LNX/LNX-L Front Riggings already in the field. A customer cannot retrofit LNX/LNX-L Front Riggings in the field. The wheelchair must be returned to Invacare Technical Service Department for installation. Wheelchairs equipped with smart actuators cannot retrofit to LNX/LNX-L Front Riggings at all.



Power Center Mount Elevating Legrest - Articulating w/o Mounting Hardware (LNX/LNX-L)

Replacement components/Kits are for existing LNX/LNX-L Front Riggings already in the field. A customer cannot retrofit LNX/LNX-L Front Riggings in the field. The wheelchair must be returned to Invacare Technical Service Department for installation. Wheelchairs equipped with smart actuators cannot retrofit to LNX/LNX-L Front Riggings at all.

| Item Number | Note | Part Number | Description | Quantity Per | |
|-------------|------|-------------|---|--------------|----------|
| | | | | Package | Assembly |
| 1 | A | 1166939 | Extending Assembly, LNX/LNX-L | 1 | 1 |
| 2 | | 1167935 | Actuator Motor Assembly, LNX/LNX-L | 1 | 1 |
| 3 | B | 1168993 | Kit, LNX/LNX-L Actuator Motor Mounting Hardware | 1 | 1 |
| 4 | | | Spacer | 1 | 1 |
| 5 | | | Spacer | 1 | 1 |
| 6 | | | Washer, Flat (3/8") | 1 | 2 |
| 7 | | | Locknut (3/8-16) | 1 | 2 |
| 8 | C | 1166942 | Footboard Assembly w/ Mounting Hardware, LNX | 1 | 1 |
| 8 | C | 1166943 | Footboard Assembly w/ Mounting Hardware, LNX-L | 1 | 1 |
| 9 | | See Chart | #9 Footplate Kits | 1 | 1 |
| 18 | D | 1166940 | Legrest Extension Bracket w/ Mounting Hardware, LNX | 1 | 1 |
| 18 | D | 1166941 | Legrest Extension Bracket w/ Mounting Hardware, LNX-L | 1 | 1 |
| 19 | E | 1163374 | Kit, Footrest Pad - Small (Pair) | 1 | 1 |
| 17 | | | Pad, Footplate, Small - Right | 1 | 1 |
| 17 | | | Pad, Footplate, Small - Left | 1 | 1 |
| 19 | E | 1163375 | Kit, Footrest Pad - Medium (Pair) | 1 | 1 |
| 17 | | | Pad, Footplate, Medium - Right | 1 | 1 |
| 17 | | | Pad, Footplate, Medium - Left | 1 | 1 |
| 19 | E | 1163376 | Kit, Footrest Pad - Large (Pair) | 1 | 1 |
| 17 | | | Pad, Footplate, Large - Right | 1 | 1 |
| 17 | | | Pad, Footplate, Large - Left | 1 | 1 |
| 20 | F | 1166945 | Individual Calf Pad Assembly, LNX/LNX-L (6" W x 8-1/2" H) | 2 | 1 |
| 21 | G | 1166944 | One Piece Calf Pad Assembly, LNX/LNX-L | 1 | 1 |
| 22 | | 1173265 | Adapter, LNX PTC, TDX SP | 1 | 1 |
| 23 | H | 1101401 | Harness, ELRPW Power Legrest - Left | 1 | 1 |
| 24 | H | 1148708 | Harness, Power Elevating Legrest-Articulating (MPCTMT/MPCTMT-L) | 1 | 1 |

NOTE: A - Includes the Extending Assembly, items 2 and 4-7.
 B - Includes items 4-7.
 C - Footboard Assembly includes the Legrest Extension Bracket and Hardware to mount to the Extending Assembly. Individual components are non-saleable.
 D - Item #18 only includes the Legrest Extension Bracket and Hardware to mount to the Extending Assembly. Individual Footplate Kits are ordered separately.
 E - Includes a pair of item #17.
 F - Includes both Calf Pads, Hardware and (2) each 1/4-20 x 7/8" Button Socket Head Screws to attach the Calf Pad Assembly. Individual components are non-saleable.
 G - Includes the One Piece Calf Pad, Hardware and (2) each 1/4-20 x 3/4" Button Socket Head Screws to attach the One Piece Calf Pad Assembly. Individual components are non-saleable.
 H - Item #23 and 24 are used for LNX/LNX-L application also.

Power Center Mount Elevating Legrest - Articulating w/o Mounting Hardware (LNX/LNX-L)

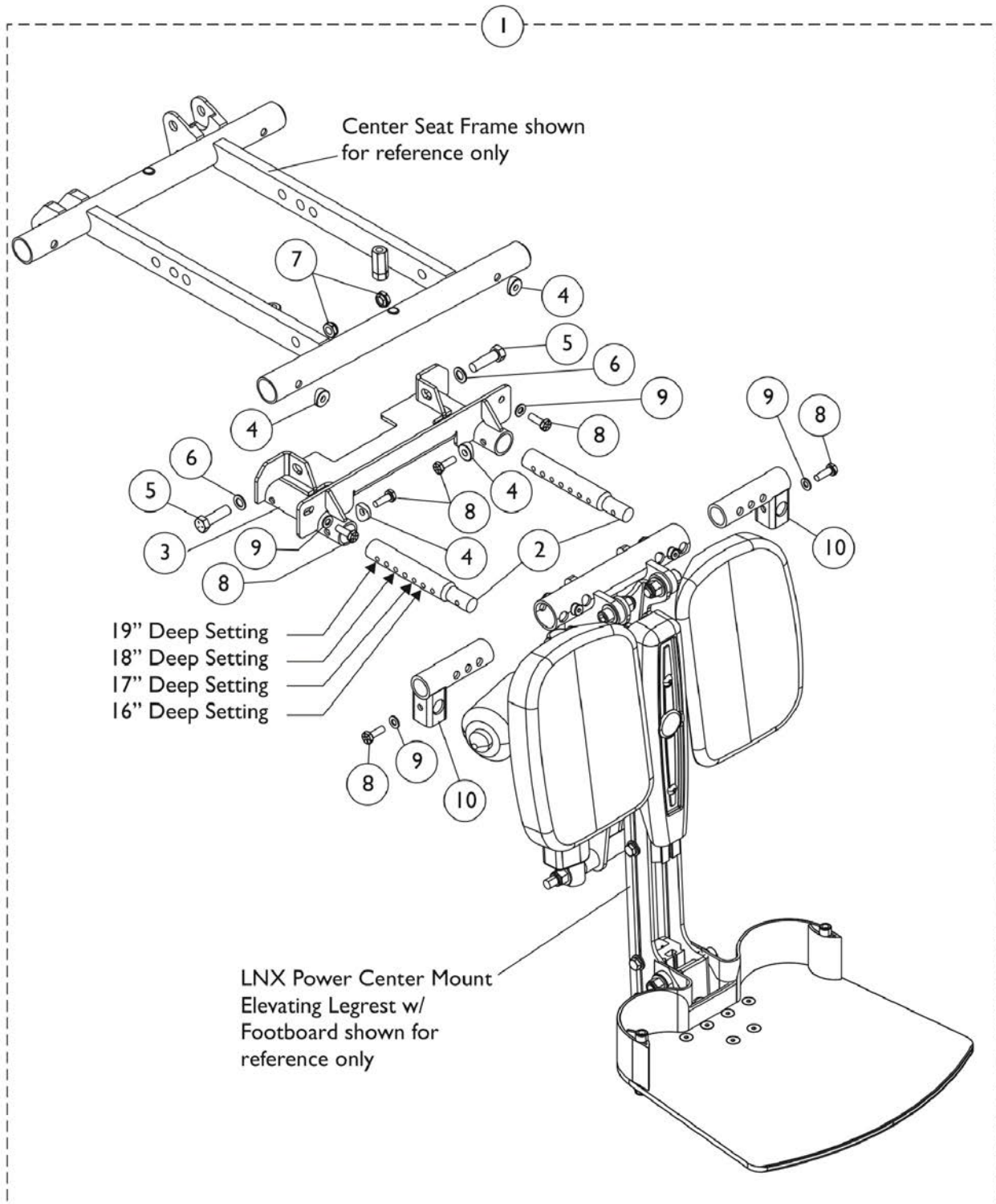
Replacement components/Kits are for existing LNX/LNX-L Front Riggings already in the field. A customer cannot retrofit LNX/LNX-L Front Riggings in the field. The wheelchair must be returned to Invacare Technical Service Department for installation. Wheelchairs equipped with smart actuators cannot retrofit to LNX/LNX-L Front Riggings at all.

#9 Footplate Kits

| Footplate Side | Small 5-1/4" W x 7-1/2" L | Medium 5-1/2" W x 9-1/2" L | Large 5-7/8" W x 11-1/2" L |
|---|------------------------------|-------------------------------|-------------------------------|
| Right | 1170683 See Note(s) A | 1170685 See Note(s) A | 1170687 See Note(s) A |
| Left | 1170684 See Note(s) A | 1170686 See Note(s) A | 1170688 See Note(s) A |
| NOTE: A - Includes items 10-17. The Footplate Mounting Hardware is for adjustable width Footplates. | | | |

Power Center Mount Elevating Legrest - Articulating Mounting Hardware (LNX/LNX-L)

Replacement components/Kits are for existing LNX/LNX-L Front Riggings already in the field. A customer cannot retrofit LNX/LNX-L Front Riggings in the field. The wheelchair must be returned to Invacare Technical Service Department for installation. Wheelchairs equipped with smart actuators cannot retrofit to LNX/LNX-L Front Riggings at all.



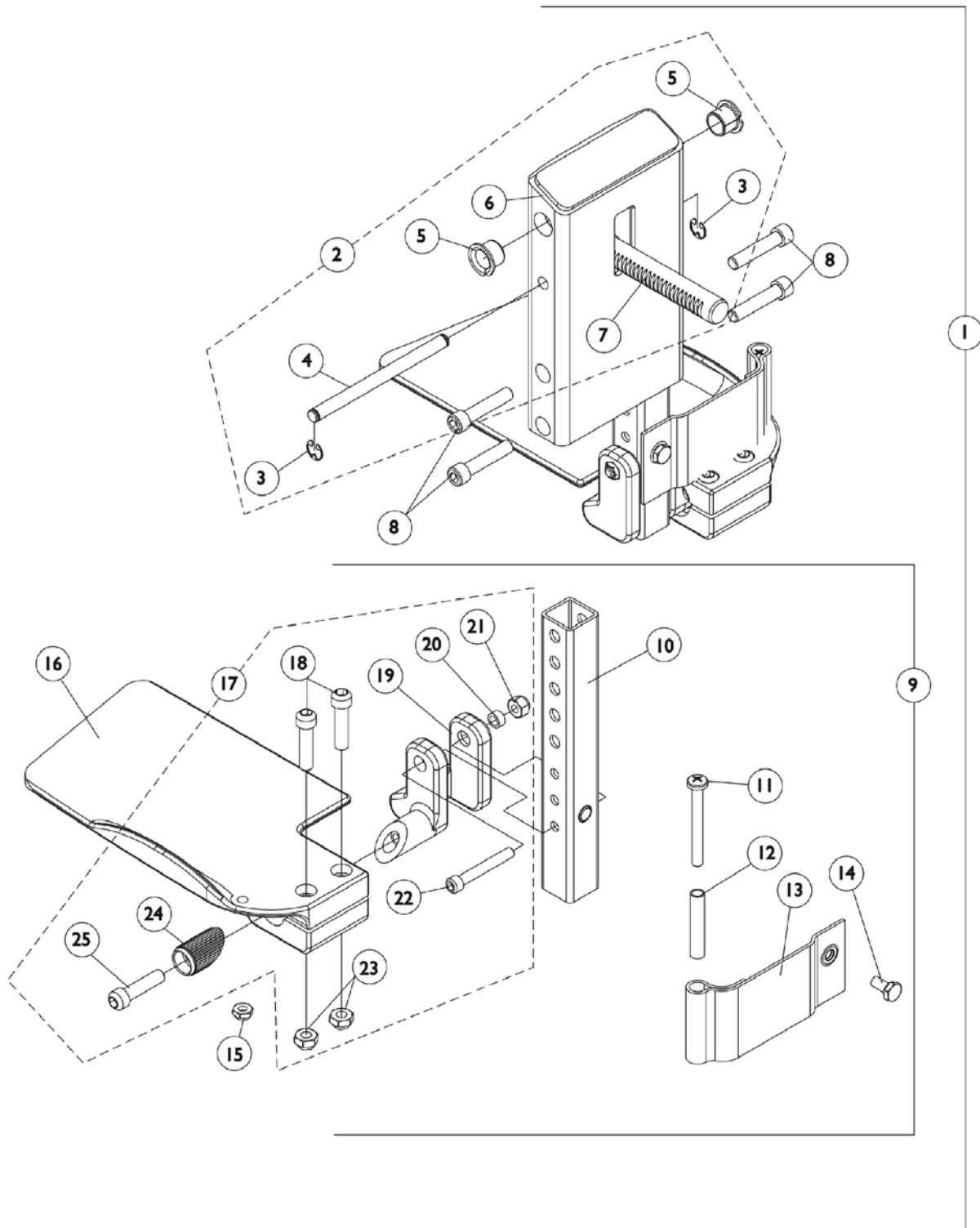
Power Center Mount Elevating Legrest - Articulating Mounting Hardware (LNX/LNX-L)

Replacement components/Kits are for existing LNX/LNX-L Front Riggings already in the field. A customer cannot retrofit LNX/LNX-L Front Riggings in the field. The wheelchair must be returned to Invacare Technical Service Department for installation. Wheelchairs equipped with smart actuators cannot retrofit to LNX/LNX-L Front Riggings at all.

| Item Number | Note | Part Number | Description | Quantity Per | |
|-------------|------|-------------|---|--------------|----------|
| | | | | Package | Assembly |
| 1 | A | 1168685 | Kit, LNX/LNX-L Power Center Mount Elevating Legrest Mounting Hardware (16" - 19" D) | 1 | 1 |
| 2 | | | Bar, Extension, Power Center Mount (16 - 19" D) | 1 | 2 |
| 3 | | | Bracket, Rear, Power Center Mount | 1 | 1 |
| 4 | | | Spacer, Coved (1/4 x 11/16 x 1/2") | 1 | 4 |
| 5 | | | NLA - Screw, Hex Head (3/8-16 x 1-1/4") | 1 | 2 |
| 6 | | | Washer, Plain (1/4 x 9/16 x 1/16") | 1 | 2 |
| 7 | | | Locknut, Low Profile (3/8-16) | 1 | 2 |
| 8 | | | Screw, Hex Head w/ Patch (1/4-20 x 3/4") | 1 | 6 |
| 9 | | | Washer (1/4 x 1/2 x 1/16") | 1 | 4 |
| 10 | | | Bracket, LNX/LNX-L Mounting, Black - Right | 1 | 1 |
| 10 | | | Bracket, LNX/LNX-L Mounting, Black - Left | 1 | 1 |
| 1 | A | 1168686 | Kit, LNX/LNX-L Power Center Mount Elevating Legrest Mounting Hardware (19" - 20" D) | 1 | 1 |
| 2 | | | Bar, Extension, Power Center Mount (19 - 20" D) | 1 | 2 |
| 3 | | | Bracket, Rear, Power Center Mount | 1 | 1 |
| 4 | | | Spacer, Coved (1/4 x 11/16 x 1/2") | 1 | 4 |
| 5 | | | NLA - Screw, Hex Head (3/8-16 x 1-1/4") | 1 | 2 |
| 6 | | | Washer, Plain (1/4 x 9/16 x 1/16") | 1 | 2 |
| 7 | | | Locknut, Low Profile (3/8-16) | 1 | 2 |
| 8 | | | Screw, Hex Head w/ Patch (1/4-20 x 3/4") | 1 | 6 |
| 9 | | | Washer (1/4 x 1/2 x 1/16") | 1 | 4 |
| 10 | | | Bracket, LNX/LNX-L Mounting, Black - Right | 1 | 1 |
| 10 | | | Bracket, LNX/LNX-L Mounting, Black - Left | 1 | 1 |
| 1 | A | 1168687 | Kit, LNX/LNX-L Power Center Mount Elevating Legrest Mounting Hardware (21" - 22" D) | 1 | 1 |
| 2 | | | Bar, Extension, Power Center Mount (21-22" D) | 1 | 2 |
| 3 | | | Bracket, Rear, Power Center Mount | 1 | 1 |
| 4 | | | Spacer, Coved (1/4 x 11/16 x 1/2") | 1 | 4 |
| 5 | | | NLA - Screw, Hex Head (3/8-16 x 1-1/4") | 1 | 2 |
| 6 | | | Washer, Plain (1/4 x 9/16 x 1/16") | 1 | 2 |
| 7 | | | Locknut, Low Profile (3/8-16) | 1 | 2 |
| 8 | | | Screw, Hex Head w/ Patch (1/4-20 x 3/4") | 1 | 6 |
| 9 | | | Washer (1/4 x 1/2 x 1/16") | 1 | 4 |
| 10 | | | Bracket, LNX/LNX-L Mounting, Black - Right | 1 | 1 |
| 10 | | | Bracket, LNX/LNX-L Mounting, Black - Left | 1 | 1 |

NOTE: A - Includes items 2-10

Front Riggings - Center Mount Rigging CTMT-FJ - Before 12/10/08 (CTMT-FJ = 9-1/4" - 12" Range) For TDX SP/SP-GT/SR



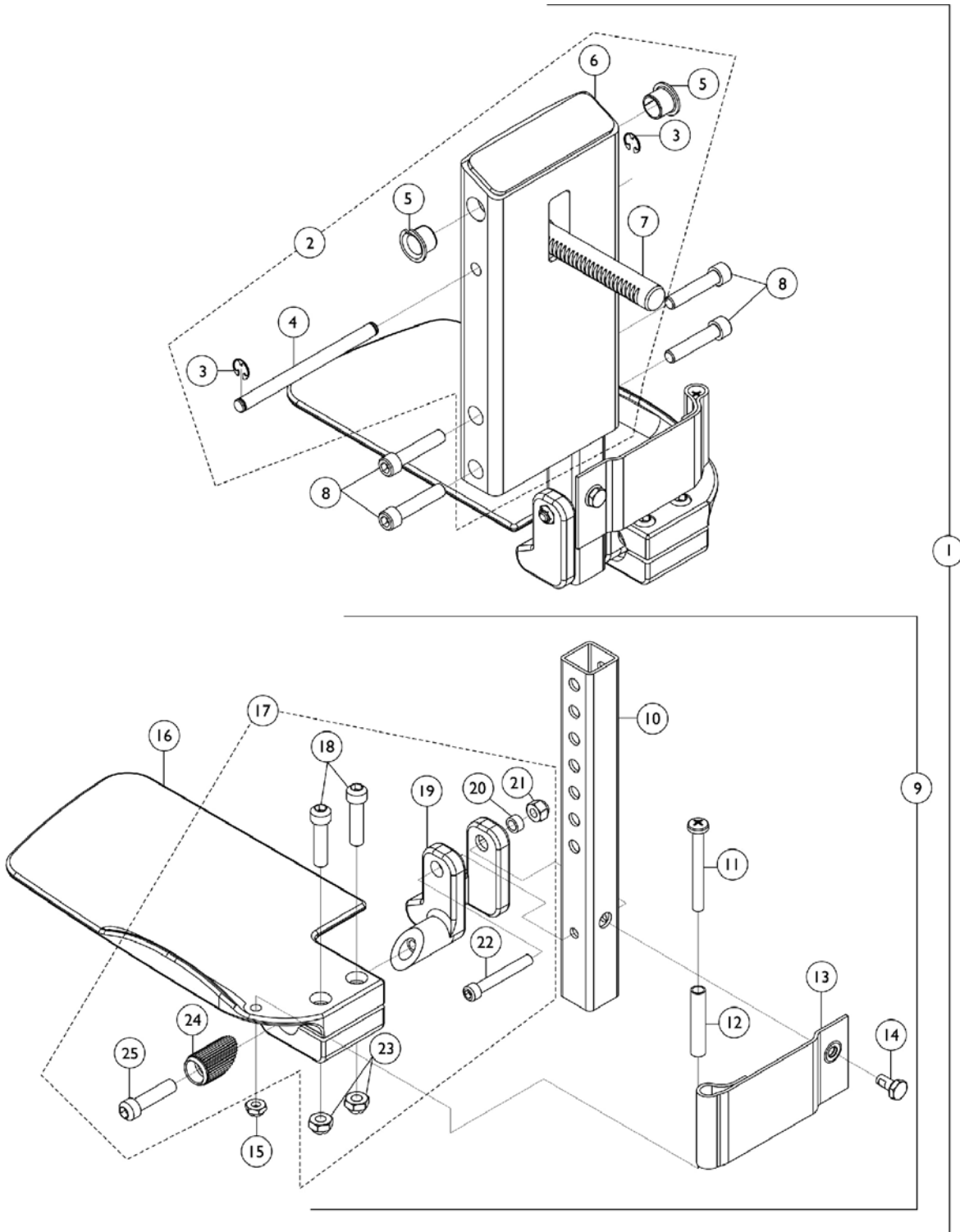
Front Riggings - Center Mount Rigging CTMT-FJ - Before 12/10/08 (CTMT-FJ = 9-1/4" - 12" Range) For TDX SP/SP-GT/SR

| Item Number | Note | Part Number | Description | Quantity Per | |
|-------------|------|-------------|---|--------------|----------|
| | | | | Package | Assembly |
| 1 | A | See Note | See Footnote | 1 | 1 |
| 2 | B | 1123021-NLA | NLA - Legrest Support Assembly, Center Mount, Junior, Black | 1 | 1 |
| 3 | | 1113376-NLA | NLA - Ring, Retainer (1/4 x 1/2 x 1/64") | 1 | 2 |
| 4 | | 1113373-NLA | NLA - Pin, Angle, Adjustable, ASBA | 1 | 1 |
| 5 | | 1110669 | Bearing, Flange (1/2 x 13/16 x 1/2") | 1 | 2 |
| 6 | | 1121984-NLA | NLA - Support, Junior Legrest (CTMTJ/CTMT-FJ) | 1 | 1 |
| 7 | | 1113372 | Rack, Center Mount Rigging Angle Adjustable | 1 | 1 |
| 8 | | 1021344 | Screw, Socket Head (5/16-18 x 1-1/2") | 1 | 4 |
| 9 | C | 1123042-NLA | NLA - Extension Tube and Footplate Assembly w/ Heel Loop, Junior - Right | 1 | 1 |
| 9 | C | 1123043-NLA | NLA - Extension Tube and Footplate Assembly w/ Heel Loop, Junior - Left | 1 | 1 |
| 10 | | 1123044 | Tube, Footrest Extension, Short (CTMTJ/CTMT-FJ = 9-1/4 - 12") (CTMT/CTMT-F = 12-1/4 - 15") (PCTMT = 10 - 13") | 1 | 1 |
| 11 | | 1021421-NLA | NLA - Screw, Phillips Pan Head (1/4-20 x 2-1/4") | 1 | 2 |
| 12 | | 1006477-NLA | NLA - Spacer (1/4 x 11/32 x 1-3/4") | 1 | 2 |
| 13 | | 1121996-NLA | NLA - Heel Loop, Center Mount Rigging | 1 | 2 |
| 14 | | 1078214 | Screw, Hex Head w/ Patch (1/4-20 x 1/2") | 1 | 2 |
| 15 | | 1025195 | Locknut (1/4-20) | 1 | 2 |
| 16 | E | 1121988-NLA | NLA - Footplate, CTMTJ/CTMT-FJ - Right (5-1/4" W x 8-13/16" L) | 1 | 1 |
| 16 | E | 1121989-NLA | NLA - Footplate, CTMTJ/CTMT-FJ - Left (5-1/4" W x 8-13/16" L) | 1 | 1 |
| 17 | D | 1120345-NLA | NLA - Center Mount Rigging Footplate Mounting Hardware - Right | 1 | 1 |
| 17 | D | 1121123-NLA | NLA - Center Mount Rigging Footplate Mounting Hardware - Left | 1 | 1 |
| 18 | | 1021343 | Screw, Socket Head (5/16-18 x 1-1/4") | 1 | 2 |
| 19 | | 1113384-NLA | NLA - Hinge, Adjustable Angle - Right | 1 | 1 |
| 19 | | 1113385-NLA | NLA - Hinge, Adjustable Angle - Left | 1 | 1 |
| 20 | | 1047449 | Spacer (1/4 x 3/8 x 3/16") | 1 | 1 |
| 21 | | 1065362 | Locknut (1/4-28) | 1 | 1 |
| 22 | | 1096810 | Screw, Socket Head (1/4-28 x 1-3/4") | 1 | 1 |
| 23 | | 1108122-NLA | NLA - Locknut (5/16-18) | 1 | 2 |
| 24 | | 1113530 | Attachment, Hinge | 1 | 1 |
| 25 | | 1021343 | Screw, Socket Head (5/16-18 x 1-1/4") | 1 | 1 |

NOTE: A - As of 12/10/08, item 1 is no longer available. Individual parts may be ordered separately.
B - Includes items 3-7
C - Includes items 10-16 & 17
D - Includes items 18-25
E - Item #16 - Footplate design revised 2/28/07 to accommodate items 18 & 23. Replace footplates in pairs and order new footplate hardware for chairs mfg. before 2/28/07.

Front Rigging - Center Mount Rigging (CTMT-F) (Before 12/10/08)

(CTMT-F = 12-1/4" - 15" Range) For TDX SP/SP-GT/SR



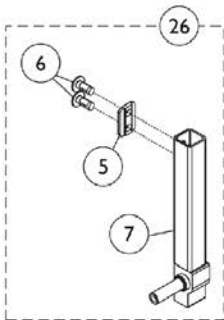
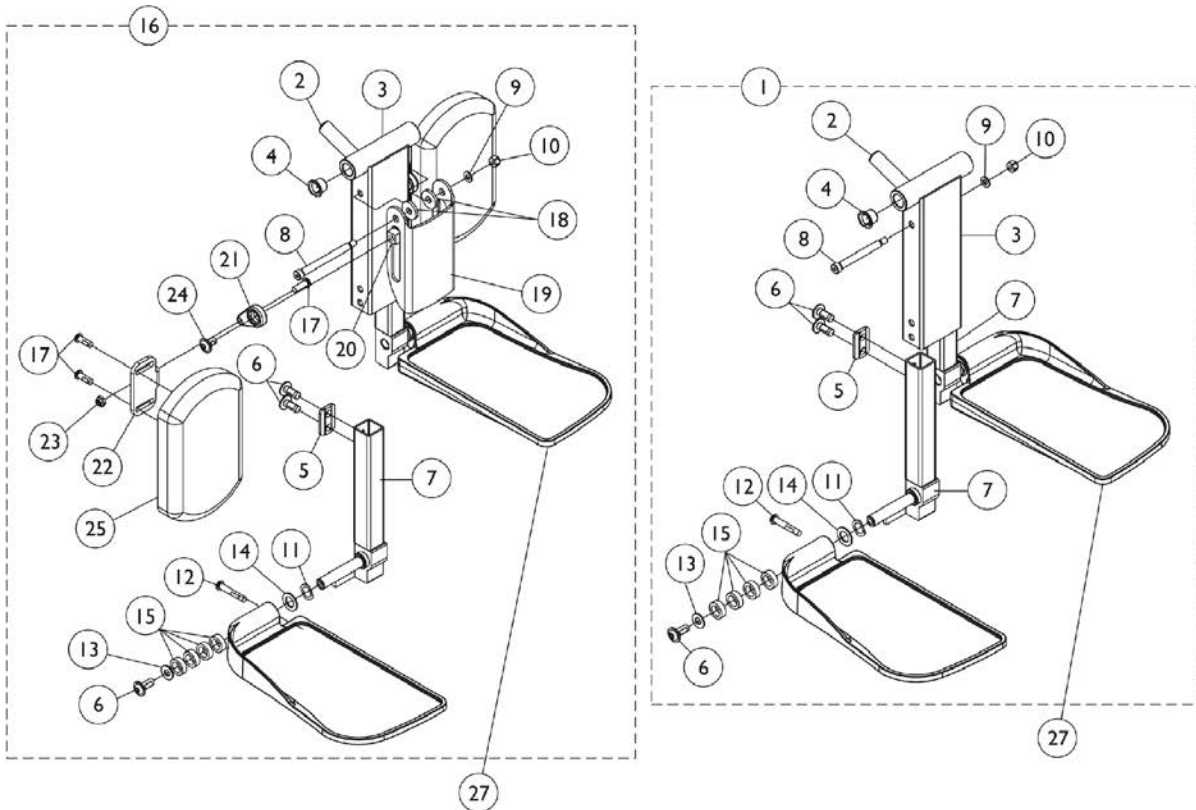
Front Rigging - Center Mount Rigging (CTMT-F) (Before 12/10/08) (CTMT-F = 12-1/4" - 15" Range) For TDX SP/SP-GT/SR

| Item Number | Note | Part Number | Description | Quantity Per | |
|-------------|------|-------------|---|--------------|----------|
| | | | | Package | Assembly |
| 1 | A | See Note | See Footnote | 1 | 1 |
| 2 | B | 1120346-NLA | NLA - Legrest Support Assembly, Center Mount, Black | 1 | 1 |
| 3 | | 1113376-NLA | NLA - Ring, Retainer (1/4 x 1/2 x 1/64") | 1 | 2 |
| 4 | | 1113373-NLA | NLA - Pin, Angle, Adjustable, ASBA | 1 | 1 |
| 5 | | 1110669 | Bearing, Flange (1/2 x 13/16 x 1/2") | 1 | 2 |
| 6 | F | 1113609-NLA | NLA - Support, Center Mount Rigging Legrest, Black | 1 | 1 |
| 7 | | 1113372 | Rack, Center Mount Rigging Angle Adjustable | 1 | 1 |
| 8 | | 1021344 | Screw, Socket Head (5/16-18 x 1-1/2") | 1 | 4 |
| 9 | C | 1123034-NLA | NLA - Extension Tube and Footplate Assembly w/ Heel Loop, Short - Right | 1 | 1 |
| 9 | C | 1123035-NLA | NLA - Extension Tube and Footplate Assembly w/ Heel Loop, Short - Left | 1 | 1 |
| 10 | | 1123044 | Tube, Footrest Extension, Short (CTMTJ/CTMT-FJ = 9-1/4 - 12") (CTMT/CTMT-F = 12-1/4 - 15") (PCTMT = 10 - 13") | 1 | 1 |
| 11 | | 1021421-NLA | NLA - Screw, Phillips Pan Head (1/4-20 x 2-1/4") | 1 | 2 |
| 12 | | 1006477-NLA | NLA - Spacer (1/4 x 11/32 x 1-3/4") | 1 | 2 |
| 13 | | 1121996-NLA | NLA - Heel Loop, Center Mount Rigging | 1 | 2 |
| 14 | | 1078214 | Screw, Hex Head w/ Patch (1/4-20 x 1/2") | 1 | 2 |
| 15 | | 1025195 | Locknut (1/4-20) | 1 | 2 |
| 16 | E | 1113606-NLA | NLA - Footplate, Center Mount Rigging, Black - Right (5-1/4" W x 9-5/8" L) | 1 | 1 |
| 16 | E | 1113607-NLA | NLA - Footplate, Center Mount Rigging, Black - Left (5-1/4" W x 9-5/8" L) | 1 | 1 |
| 17 | D | 1120345-NLA | NLA - Center Mount Rigging Footplate Mounting Hardware - Right | 1 | 1 |
| 17 | D | 1121123-NLA | NLA - Center Mount Rigging Footplate Mounting Hardware - Left | 1 | 1 |
| 18 | | 1021343 | Screw, Socket Head (5/16-18 x 1-1/4") | 1 | 2 |
| 19 | | 1113384-NLA | NLA - Hinge, Adjustable Angle - Right | 1 | 1 |
| 19 | | 1113385-NLA | NLA - Hinge, Adjustable Angle - Left | 1 | 1 |
| 20 | | 1047449 | Spacer (1/4 x 3/8 x 3/16") | 1 | 1 |
| 21 | | 1065362 | Locknut (1/4-28) | 1 | 1 |
| 22 | | 1096810 | Screw, Socket Head (1/4-28 x 1-3/4") | 1 | 1 |
| 23 | | 1108122-NLA | NLA - Locknut (5/16-18) | 1 | 2 |
| 24 | | 1113530 | Attachment, Hinge | 1 | 1 |
| 25 | | 1021343 | Screw, Socket Head (5/16-18 x 1-1/4") | 1 | 1 |

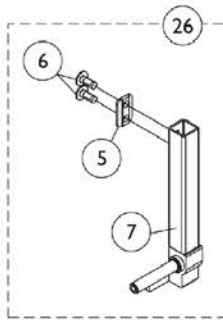
Front Rigging - Center Mount Rigging (CTMT-F) (Before 12/10/08) (CTMT-F = 12-1/4" - 15" Range) For TDX SP/SP-GT/SR

NOTE: A - As of 12/10/08, item 1 is no longer available. Individual parts may be ordered separately.
B - Includes items 3-7
C - Includes items 10-16 & 17
D - Includes items 18-25
E - Item #16 - Footplate design revised 2/28/07 to accommodate items 18 & 23. Replace footplates in pairs and order new footplate hardware for chairs mfg. before 2/28/07.
F - No Longer Available individually. See part # 1123046 for replacement.

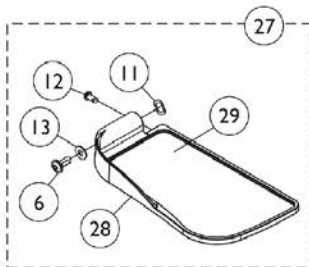
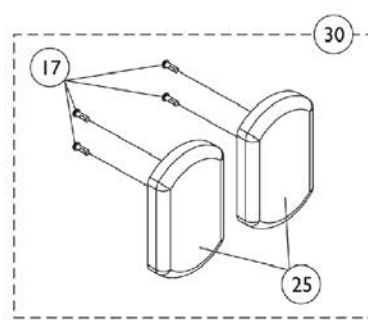
Center Mount Front Rigging (After 12/09/08) (CTMT-J/CTMT-FJ/CTMT/CTMT-F/CTMT-L/CTMT-FL)



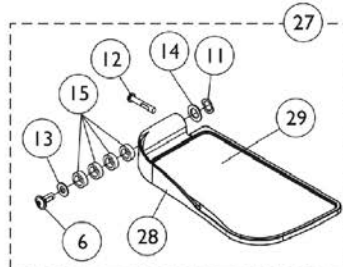
Before 12/15/10



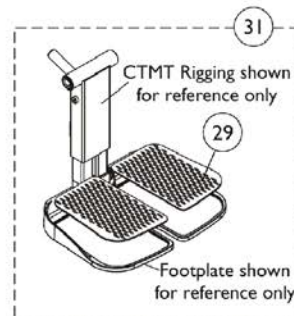
After 12/14/10



Before 12/15/10



After 12/14/10



CTMT Rigging shown
for reference only

Footplate shown
for reference only

Center Mount Front Rigging (After 12/09/08) (CTMT-J/CTMT-FJ/CTMT/CTMT-F/CTMT-L/CTMT-FL)

| Item Number | Note | Part Number | Description | Quantity Per | |
|-------------|------|-------------|---|--------------|----------|
| | | | | Package | Assembly |
| 1 | A | 1121990 | Kit, Center Mount Front Rigging, Junior (CTMTJ/CTMT-FJ) ASBA/ADJASBA (9-1/2" - 11" Range) | 1 | 1 |
| 2 | | | Rack, Center Mount Rigging Angle Adjustable | 1 | 1 |
| 3 | | | Support, Footrest, Center Mount, Black - Short | 1 | 1 |
| 4 | | | Bearing, Flange (1/2 x 13/16 x 1/2") | 1 | 2 |
| 5 | | | Cleat, Button Head | 1 | 2 |
| 6 | | | Screw, Socket, Button Head w/ Patch (5/16-18 x 3/4") | 1 | 6 |
| 7 | | | Tube, Extension, Footrest, Short, Black - Right | 1 | 1 |
| 7 | | | Tube, Extension, Footrest, Short, Black - Left | 1 | 1 |
| 8 | | | Screw, Shoulder Hex Socket Head (5/16" x 2-1/2", 1/4-20) | 1 | 1 |
| 9 | | | Washer (1/4 x 1/2 x 1/16") | 1 | 1 |
| 10 | | | Locknut (1/4-20) | 1 | 1 |
| 11 | | | NLA - Washer, Wave (17/32 x 3/4 x 1/64") | 1 | 2 |
| 12 | | | Screw, Socket Button Head (1/4-20 x 1-1/2") | 1 | 2 |
| 13 | | | Washer, Nylon (5/16 x 11/16 x 1/16") | 1 | 2 |
| 14 | | | Washer (1/2 x 7/8 x 3/64") | 1 | 2 |
| 15 | | | Spacer, Nylon (1/2 x 3/4 x 1/4") | 1 | 8 |
| 1 | A | 1117262 | Kit, Center Mount Front Rigging (CTMT) (CTMT-F), ASBA/ADJASBA (11" - 15" Range) | 1 | 1 |
| 2 | | | Rack, Center Mount Rigging Angle Adjustable | 1 | 1 |
| 3 | | | Support, Footrest, Center Mount, Black - Regular | 1 | 1 |
| 4 | | | Bearing, Flange (1/2 x 13/16 x 1/2") | 1 | 2 |
| 5 | | | Cleat, Button Head | 1 | 2 |
| 6 | | | Screw, Socket, Button Head w/ Patch (5/16-18 x 3/4") | 1 | 6 |
| 7 | | | Tube, Extension, Footrest, Medium, Black - Right | 1 | 1 |
| 7 | | | Tube, Extension, Footrest, Medium, Black - Left | 1 | 1 |
| 8 | | | Screw, Shoulder Hex Socket Head (5/16" x 2-1/2", 1/4-20) | 1 | 1 |
| 9 | | | Washer (1/4 x 1/2 x 1/16") | 1 | 1 |
| 10 | | | Locknut (1/4-20) | 1 | 1 |
| 11 | | | NLA - Washer, Wave (17/32 x 3/4 x 1/64") | 1 | 2 |
| 12 | | | Screw, Socket Button Head (1/4-20 x 1-1/2") | 1 | 2 |
| 13 | | | Washer, Nylon (5/16 x 11/16 x 1/16") | 1 | 2 |
| 14 | | | Washer (1/2 x 7/8 x 3/64") | 1 | 2 |
| 15 | | | Spacer, Nylon (1/2 x 3/4 x 1/4") | 1 | 8 |
| 1 | A | 1117263 | Kit, Center Mount Front Rigging (CTMT-L) (CTMT-FL), ASBA/ADJASBA (14" - 18" Range) | 1 | 1 |
| 2 | | | Rack, Center Mount Rigging Angle Adjustable | 1 | 1 |
| 3 | | | Support, Footrest, Center Mount, Black - Regular | 1 | 1 |

Center Mount Front Rigging (After 12/09/08) (CTMT-J/CTMT-FJ/CTMT/CTMT-F/CTMT-L/CTMT-FL)

| Item Number | Note | Part Number | Description | Quantity Per | |
|-------------|------|-------------|--|--------------|----------|
| | | | | Package | Assembly |
| 4 | | | Bearing, Flange (1/2 x 13/16 x 1/2") | 1 | 2 |
| 5 | | | Cleat, Button Head | 1 | 2 |
| 6 | | | Screw, Socket, Button Head w/ Patch (5/16-18 x 3/4") | 1 | 6 |
| 7 | | | Tube, Extension, Footrest, Long, Black - Right | 1 | 1 |
| 7 | | | Tube, Extension, Footrest, Long, Black - Left | 1 | 1 |
| 8 | | | Screw, Shoulder Hex Socket Head (5/16" x 2-1/2", 1/4-20) | 1 | 1 |
| 9 | | | Washer (1/4 x 1/2 x 1/16") | 1 | 1 |
| 10 | | | Locknut (1/4-20) | 1 | 1 |
| 11 | | | NLA - Washer, Wave (17/32 x 3/4 x 1/64") | 1 | 2 |
| 12 | | | Screw, Socket Button Head (1/4-20 x 1-1/2") | 1 | 2 |
| 13 | | | Washer, Nylon (5/16 x 11/16 x 1/16") | 1 | 2 |
| 14 | | | Washer (1/2 x 7/8 x 3/64") | 1 | 2 |
| 15 | | | Spacer, Nylon (1/2 x 3/4 x 1/4") | 1 | 8 |
| 16 | B | 1161428 | Kit, Center Mount Front Rigging w/Calf Pad - Short (CTMTJ/CTMT-FJ) ASBA/ADJASBA (9-1/2" - 11" Range) | 1 | 1 |
| 2 | | | Rack, Center Mount Rigging Angle Adjustable | 1 | 1 |
| 3 | | | Support, Footrest, Center Mount, Black - Short | 1 | 1 |
| 4 | | | Bearing, Flange (1/2 x 13/16 x 1/2") | 1 | 2 |
| 5 | | | Cleat, Button Head | 1 | 2 |
| 6 | | | Screw, Socket, Button Head w/ Patch (5/16-18 x 3/4") | 1 | 6 |
| 7 | | | Tube, Extension, Footrest, Short, Black - Right | 1 | 1 |
| 7 | | | Tube, Extension, Footrest, Short, Black - Left | 1 | 1 |
| 8 | | | Screw, Shoulder Hex Socket Head (5/16" x 3", 1/4-20) | 1 | 1 |
| 9 | | | Washer (1/4 x 1/2 x 1/16") | 1 | 1 |
| 10 | | | Locknut (1/4-20) | 1 | 1 |
| 11 | | | NLA - Washer, Wave (17/32 x 3/4 x 1/64") | 1 | 2 |
| 12 | | | Screw, Socket Button Head (1/4-20 x 1-1/2") | 1 | 2 |
| 13 | | | Washer, Nylon (5/16 x 11/16 x 1/16") | 1 | 2 |
| 14 | | | Washer (1/2 x 7/8 x 3/64") | 1 | 2 |
| 15 | | | Spacer, Nylon (1/2 x 3/4 x 1/4") | 1 | 8 |
| 17 | | | Screw, Socket Button Head w/ Patch (1/4-20 x 3/4") | 1 | 6 |
| 18 | | | Washer, Nylon (5/16 x 7/8 x 1/8") | 1 | 2 |
| 19 | | | Bracket, Calf Pad, Black | 1 | 1 |
| 20 | | | Nut, T (5/16-18) | 1 | 2 |
| 21 | | | Adjuster, Calf Pad | 1 | 2 |
| 22 | | | Bracket, Mounting, Calf Pad | 1 | 2 |
| 23 | | | Locknut (1/4-20) | 1 | 2 |

Center Mount Front Rigging (After 12/09/08) (CTMT-J/CTMT-FJ/CTMT/CTMT-F/CTMT-L/CTMT-FL)

| Item Number | Note | Part Number | Description | Quantity Per | |
|-------------|------|-------------|--|--------------|----------|
| | | | | Package | Assembly |
| 24 | | | Screw, Socket, Button Head w/ Patch (5/16-18 x 1/2") | 1 | 2 |
| 25 | | | Pad, Calf (4-1/2" W x 7-1/4" L) | 1 | 2 |
| 16 | B | 1161429 | Kit, Center Mount Front Rigging w/Calf Pad - Medium (CTMT) (CTMT-F), ASBA/ADJASBA (11" - 15" Range) | 1 | 1 |
| 2 | | | Rack, Center Mount Rigging Angle Adjustable | 1 | 1 |
| 3 | | | Support, Footrest, Center Mount, Black - Regular | 1 | 1 |
| 4 | | | Bearing, Flange (1/2 x 13/16 x 1/2") | 1 | 2 |
| 5 | | | Cleat, Button Head | 1 | 2 |
| 6 | | | Screw, Socket, Button Head w/ Patch (5/16-18 x 3/4") | 1 | 6 |
| 7 | | | Tube, Extension, Footrest, Medium, Black - Right | 1 | 1 |
| 7 | | | Tube, Extension, Footrest, Medium, Black - Left | 1 | 1 |
| 8 | | | Screw, Shoulder Hex Socket Head (5/16" x 3", 1/4-20) | 1 | 1 |
| 9 | | | Washer (1/4 x 1/2 x 1/16") | 1 | 1 |
| 10 | | | Locknut (1/4-20) | 1 | 1 |
| 11 | | | NLA - Washer, Wave (17/32 x 3/4 x 1/64") | 1 | 2 |
| 12 | | | Screw, Socket Button Head (1/4-20 x 1-1/2") | 1 | 2 |
| 13 | | | Washer, Nylon (5/16 x 11/16 x 1/16") | 1 | 2 |
| 14 | | | Washer (1/2 x 7/8 x 3/64") | 1 | 2 |
| 15 | | | Spacer, Nylon (1/2 x 3/4 x 1/4") | 1 | 8 |
| 17 | | | Screw, Socket Button Head w/ Patch (1/4-20 x 3/4") | 1 | 6 |
| 18 | | | Washer, Nylon (5/16 x 7/8 x 1/8") | 1 | 2 |
| 19 | | | Bracket, Calf Pad, Black | 1 | 1 |
| 20 | | | Nut, T (5/16-18) | 1 | 2 |
| 21 | | | Adjuster, Calf Pad | 1 | 2 |
| 22 | | | Bracket, Mounting, Calf Pad | 1 | 2 |
| 23 | | | Locknut (1/4-20) | 1 | 2 |
| 24 | | | Screw, Socket, Button Head w/ Patch (5/16-18 x 1/2") | 1 | 2 |
| 25 | | | Pad, Calf (4-1/2" W x 7-1/4" L) | 1 | 2 |
| 16 | B | 1161430 | Kit, Center Mount Front Rigging w/Calf Pad - Long (CTMT-L) (CTMT-FL), ASBA/ADJASBA (14" - 18" Range) | 1 | 1 |
| 2 | | | Rack, Center Mount Rigging Angle Adjustable | 1 | 1 |
| 3 | | | Support, Footrest, Center Mount, Black - Regular | 1 | 1 |
| 4 | | | Bearing, Flange (1/2 x 13/16 x 1/2") | 1 | 2 |
| 5 | | | Cleat, Button Head | 1 | 2 |
| 6 | | | Screw, Socket, Button Head w/ Patch (5/16-18 x 3/4") | 1 | 6 |

Center Mount Front Rigging
(After 12/09/08)
(CTMT-J/CTMT-FJ/CTMT/CTMT-F/CTMT-L/CTMT-FL)

| Item Number | Note | Part Number | Description | Quantity Per | |
|-------------|------|-------------|--|--------------|----------|
| | | | | Package | Assembly |
| 7 | | | Tube, Extension, Footrest, Long, Black - Right | 1 | 1 |
| 7 | | | Tube, Extension, Footrest, Long, Black - Left | 1 | 1 |
| 8 | | | Screw, Shoulder Hex Socket Head (5/16" x 3", 1/4-20) | 1 | 1 |
| 9 | | | Washer (1/4 x 1/2 x 1/16") | 1 | 1 |
| 10 | | | Locknut (1/4-20) | 1 | 1 |
| 11 | | | NLA - Washer, Wave (17/32 x 3/4 x 1/64") | 1 | 2 |
| 12 | | | Screw, Socket Button Head (1/4-20 x 1-1/2") | 1 | 2 |
| 13 | | | Washer, Nylon (5/16 x 11/16 x 1/16") | 1 | 2 |
| 14 | | | Washer (1/2 x 7/8 x 3/64") | 1 | 2 |
| 15 | | | Spacer, Nylon (1/2 x 3/4 x 1/4") | 1 | 8 |
| 17 | | | Screw, Socket Button Head w/ Patch (1/4-20 x 3/4") | 1 | 6 |
| 18 | | | Washer, Nylon (5/16 x 7/8 x 1/8") | 1 | 2 |
| 19 | | | Bracket, Calf Pad, Black | 1 | 1 |
| 20 | | | Nut, T (5/16-18) | 1 | 2 |
| 21 | | | Adjuster, Calf Pad | 1 | 2 |
| 22 | | | Bracket, Mounting, Calf Pad | 1 | 2 |
| 23 | | | Locknut (1/4-20) | 1 | 2 |
| 24 | | | Screw, Socket, Button Head w/ Patch (5/16-18 x 1/2") | 1 | 2 |
| 25 | | | Pad, Calf (4-1/2" W x 7-1/4" L) | 1 | 2 |
| 26 | G | See Chart | #26 Extension Tube Kits Before 12/15/10 | 1 | 1 |
| 26 | | See Chart | #26 Extension Tube Kits After 12/14/10 | 1 | 1 |
| 27 | G | See Chart | #27 Footplate Kits Before 12/15/10 | 1 | 1 |
| 27 | | See Chart | #27 Footplate Kits After 12/14/10 | 1 | 1 |
| 30 | C | 1163373 | Kit, Calf Pad (Pair) | 1 | 1 |
| 17 | | | Screw, Socket Button Head w/ Patch (1/4-20 x 3/4") | 1 | 4 |
| 25 | | | Pad, Calf (4-1/2" W x 7-1/4" L) | 1 | 2 |
| 31 | D | 1163374 | Kit, Footrest Pad - Small (Pair) | 1 | 1 |
| 29 | | | Pad, Footplate, Small - Right | 1 | 1 |
| 29 | | | Pad, Footplate, Small - Left | 1 | 1 |
| 31 | D | 1163375 | Kit, Footrest Pad - Medium (Pair) | 1 | 1 |
| 29 | | | Pad, Footplate, Medium - Right | 1 | 1 |
| 29 | | | Pad, Footplate, Medium - Left | 1 | 1 |
| 31 | D | 1163376 | Kit, Footrest Pad - Large (Pair) | 1 | 1 |
| 29 | | | Pad, Footplate, Large - Right | 1 | 1 |
| 29 | | | Pad, Footplate, Large - Left | 1 | 1 |
| | E | 1165505 | Kit, Hardware, Calf Pad Adjustment | 1 | 1 |
| 17 | | | Screw, Socket Button Head w/ Patch (1/4-20 x 3/4") | 1 | 2 |
| 20 | | | Nut, T (5/16-18) | 1 | 2 |
| 21 | | | Adjuster, Calf Pad | 1 | 2 |
| 22 | | | Bracket, Mounting, Calf Pad | 1 | 2 |

Center Mount Front Rigging (After 12/09/08) (CTMT-J/CTMT-FJ/CTMT/CTMT-F/CTMT-L/CTMT-FL)

| Item Number | Note | Part Number | Description | Quantity Per | |
|--|------|-------------|--|--------------|----------|
| | | | | Package | Assembly |
| 23 | | | Locknut (1/4-20) | 1 | 2 |
| 24 | | | Screw, Socket, Button Head w/ Patch (5/16-18 x 1/2") | 1 | 2 |
| | F | 1165506 | Kit, Bracket, Calf Pad Mounting w/ Hardware | 1 | 1 |
| 8 | | | Screw, Shoulder Hex Socket Head (5/16" x 3", 1/4-20) | 1 | 1 |
| 9 | | | Washer (1/4 x 1/2 x 1/16") | 1 | 1 |
| 10 | | | Locknut (1/4-20) | 1 | 1 |
| 18 | | | Washer, Nylon (5/16 x 7/8 x 1/8") | 1 | 2 |
| 19 | | | Bracket, Calf Pad, Black | 1 | 1 |
| <p>NOTE: A - Includes items 2-15. As of 12/15/10 item #1 was revised to accommodate adjustable width footplate hardware. If footplates are needed see item #27. B - Includes items 2-15 and 17-25. As of 12/15/10 item #16 was revised to accommodate adjustable width footplate hardware. If footplates are needed see item #27. C - Includes items 17 and 25. D - Includes a pair of item 29. E - Not shown. Includes items 17 and 20-24. F - Not shown. Includes items 8-10, 18 and 19. G - Chairs built before 12/15/10 will require items 26 and 27 in order to convert to the new CTMT Front Rigging design.</p> | | | | | |

**Center Mount Front Rigging
(After 12/09/08)
(CTMT-J/CTMT-FJ/CTMT/CTMT-F/CTMT-L/CTMT-FL)**

#26 Extension Tube Kits Before 12/15/10

| Front Rigging Side | Short 9-1/2" - 11" Range | Medium 11" - 15" Range | Long 14" - 18" Range |
|--------------------|------------------------------|------------------------------|------------------------------|
| Right | 1161984-NLA See Note(s) A | 1161986-NLA See Note(s) A | 1169821-NLA See Note(s) A |
| Left | 1161985-NLA See Note(s) A | 1161987-NLA See Note(s) A | 1169822-NLA See Note(s) A |

NOTE: A - Includes items 5-7. The Extension Tube Kits are used for non-adjustable width footplate hardware only.

#26 Extension Tube Kits After 12/14/10

| Front Rigging Side | Short 9-1/2" - 11" Range | Medium 11" - 15" Range | Long 14" - 18" Range |
|--------------------|-----------------------------|---------------------------|--------------------------|
| Right | 1170677 See Note(s) A | 1170679 See Note(s) A | 1170681 See Note(s) A |
| Left | 1170678 See Note(s) A | 1170680 See Note(s) A | 1170682 See Note(s) A |

NOTE: A - Includes items 5-7. The Extension Tube Kits are used for adjustable width footplate hardware only.

**Center Mount Front Rigging
(After 12/09/08)
(CTMT-J/CTMT-FJ/CTMT/CTMT-F/CTMT-L/CTMT-FL)**

#27 Footplate Kits Before 12/15/10

| Footplate Side | Small 5-1/4" W x 7-1/2" L | Medium 5-1/2" W x 9-1/2" L | Large 5-7/8" W x 11-1/2" L |
|----------------|------------------------------|-------------------------------|-------------------------------|
| Right | 1161988 See Note(s) A | 1161990 See Note(s) A | 1161992 See Note(s) A |
| Left | 1161989 See Note(s) A | 1161991 See Note(s) A | 1161993 See Note(s) A |

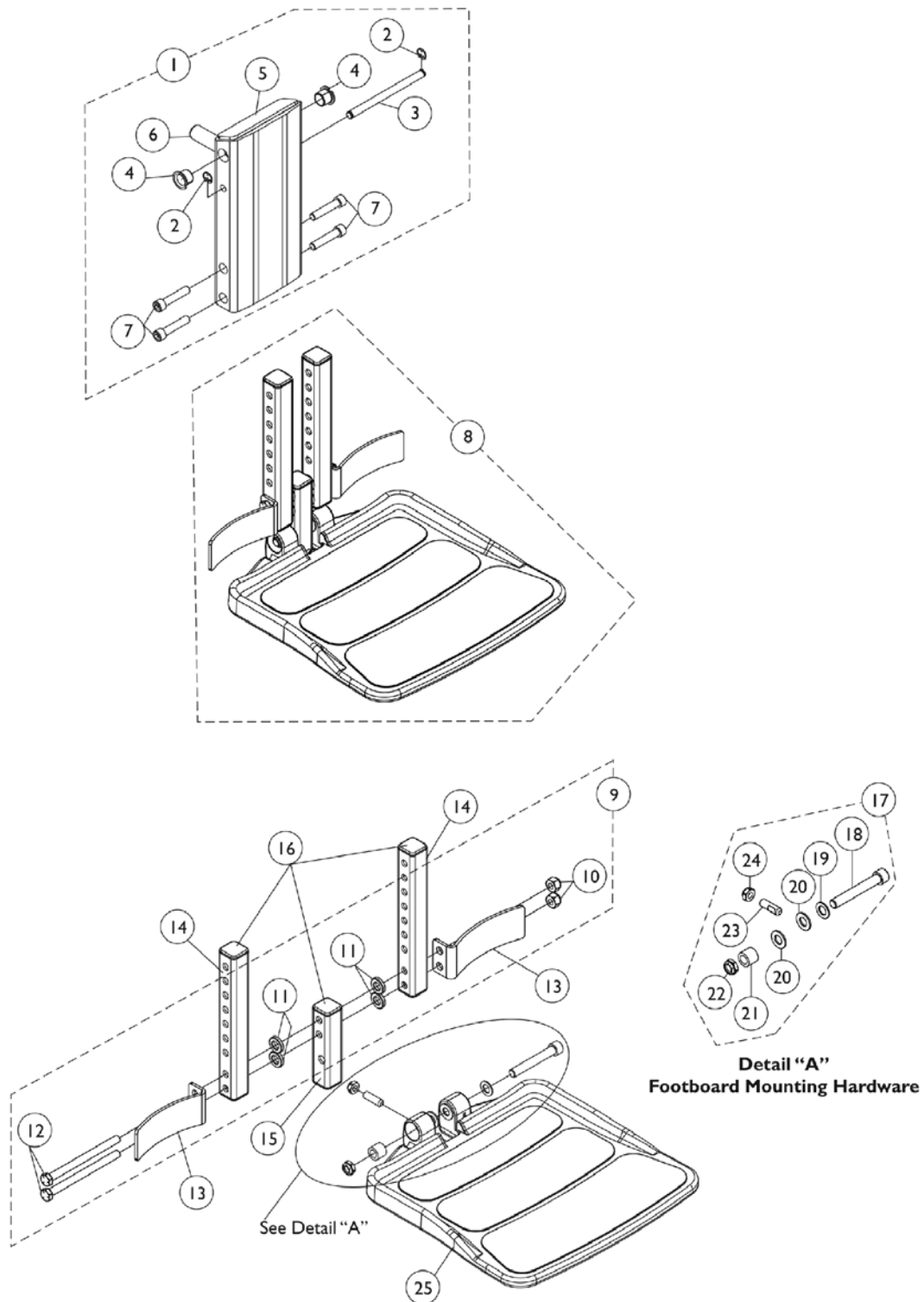
NOTE: A - Includes items 10-13 and 16-18. The footplate mounting hardware included is for non-adjustable width only.

#27 Footplate Kits After 12/14/10

| Footplate Side | Small 5-1/4" W x 7-1/2" L | Medium 5-1/2" W x 9-1/2" L | Large 5-7/8" W x 11-1/2" L |
|----------------|------------------------------|-------------------------------|-------------------------------|
| Right | 1170683 See Note(s) A | 1170685 See Note(s) A | 1170687 See Note(s) A |
| Left | 1170684 See Note(s) A | 1170686 See Note(s) A | 1170688 See Note(s) A |

NOTE: A - Includes items 10-18 and the Adjustable Width Footplate Instruction Sheet (Not Shown). The footplate mounting hardware included is for adjustable width only.

Front Rigging - Center Mount Rigging (CTMT-F w/ CTMTFB One PC Flip-Up Footboard) TDX SP/SP-GT/SR (CTMT-F = 12-1/4" - 15" Range)

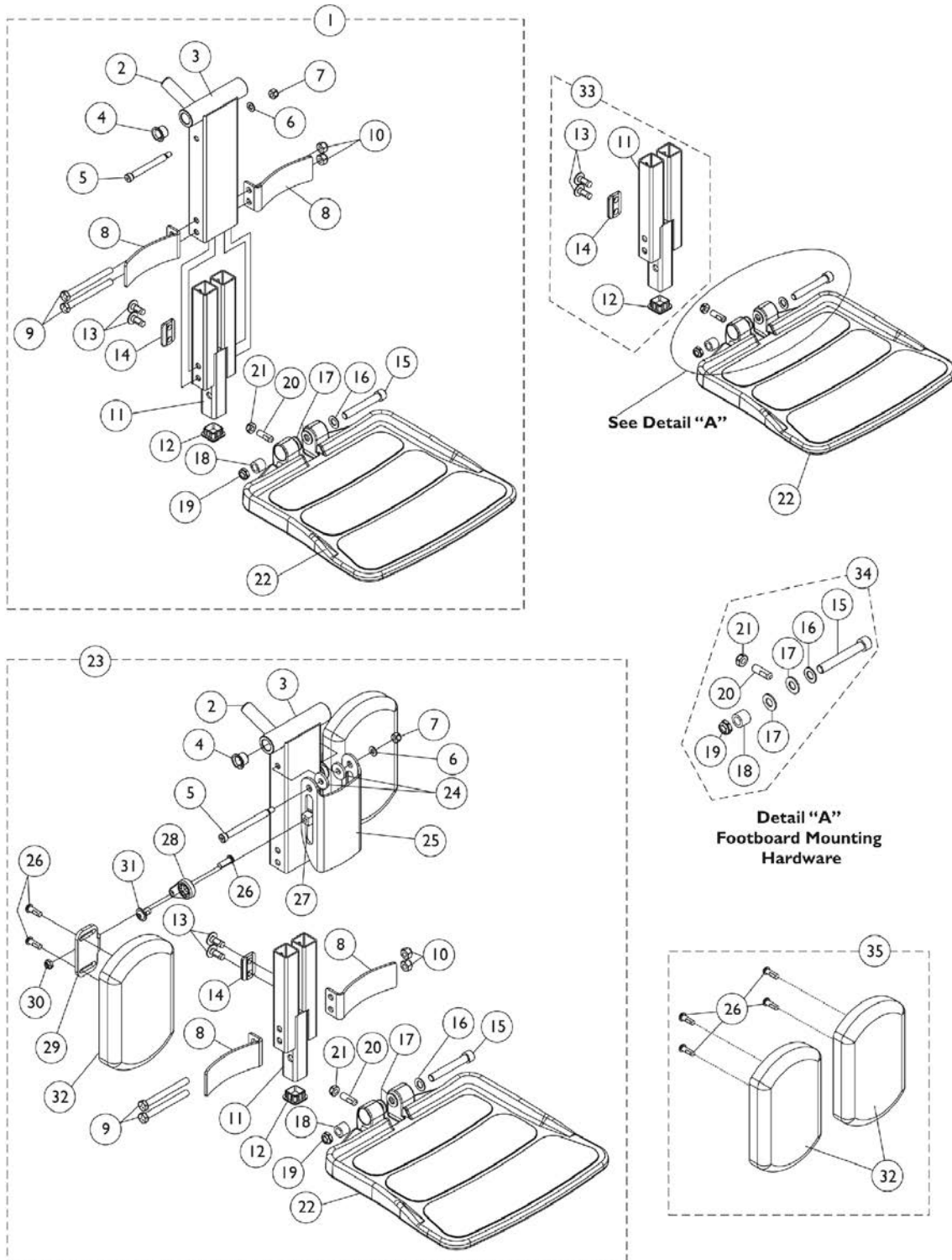


Front Rigging - Center Mount Rigging (CTMT-F w/ CTMTFB One PC Flip-Up Footboard) TDX SP/SP-GT/SR (CTMT-F = 12-1/4" - 15" Range)

| Item Number | Note | Part Number | Description | Quantity Per | |
|-------------|------|-------------|---|--------------|----------|
| | | | | Package | Assembly |
| 1 | A | 1148725-NLA | NLA - Legrest Support Assembly, Center Mount Rigging | 1 | 1 |
| 2 | | | NLA - Ring, Retainer (1/4 x 1/2 x 1/64") | 1 | 2 |
| 3 | | | NLA - Pin, Angle, Adjustable, ASBA | 1 | 1 |
| 4 | | | Bearing, Flange (1/2 x 13/16 x 1/2") | 1 | 2 |
| 5 | | | NLA - Support, Center Mount Rigging Legrest, Black | 1 | 1 |
| 6 | | | Rack, Center Mount Rigging Angle Adjustable | 1 | 1 |
| 7 | | | Screw, Socket Head (5/16-18 x 1-1/2") | 1 | 4 |
| 7 | | 1021344 | Screw, Socket Head (5/16-18 x 1-1/2") | 1 | 4 |
| 8 | B | 1148722-NLA | NLA - Footboard Assembly, CTMTFB (For CTMT-F 12-1/4 - 15" & PCTMT 10 - 13") | 1 | 1 |
| 9 | C | 1144608-NLA | NLA - Kit, Heel Stop and Extension Tube Mounting Hardware | 1 | 1 |
| 10 | | | Locknut (5/16-18) | 1 | 2 |
| 11 | | | NLA - Bushing, Actuator Motor (3/8 x 3/4 x 5/32") | 1 | 4 |
| 12 | | | NLA - Screw, Hex Head (5/16-18 x 4") | 1 | 2 |
| 13 | F | 1153789 | Bracket, Heel Stop, Black | 1 | 2 |
| 14 | G | 1148711-NLA | NLA - Tube, Extension, Black 104355- Short (For CTMT-F 12-1/4" - 15" Range & PCTMT 10"-13" Range) | 1 | 2 |
| 15 | D | 1144607-NLA | NLA - Tube, Vertical Support with Caps | 1 | 1 |
| 16 | | 1144609 | Package, End Cap (1" Square) | 10 | 1 |
| 17 | E | 1147134 | Kit, Footboard Mounting Hardware | 1 | 1 |
| 18 | | | Screw, Socket Head (3/8-16 x 2-1/2") | 1 | 1 |
| 19 | | | Washer, Flat (3/8 x 11/16 x 1/16") | 1 | 1 |
| 20 | | | Washer, Nylon (3/8 x 3/4 x 1/16") | 1 | 2 |
| 21 | | | Bushing (3/8 x 5/8 x 1/2") | 1 | 1 |
| 22 | | | Locknut, Low Profile (3/8-16) | 1 | 1 |
| 23 | | | Screw, Set Socket Flat Point (5/16-18 x 1") | 1 | 1 |
| 24 | | | Locknut (5/16-18) | 1 | 1 |
| 25 | | 1114311 | Footboard w/ Cover (11-1/4" W x 11-1/2" L) | 1 | 1 |

NOTE: A - Includes items 2-7
B - Includes items 9, 13, 14, 15, 17 and 25
C - Includes items 10-12
D - Extension Tube and Vertical Support Tube includes Tube Caps at both ends
E - Includes items 18-24
F - Heel Stop Bracket was revised 2/6/08. It is recommended to order in pairs to match for chairs manufactured before 2/6/08.
G - End Caps are no longer used or required for the extension tube as of 4/9/08

Front Rigging - Center Mount Rigging (CTMT-F with CTMTFB One PC Flip-Up Footboard) TDX SP/SP-GT/SR (CTMT-F = 11" - 15" Range)



Front Rigging - Center Mount Rigging (CTMT-F with CTMTFB One PC Flip-Up Footboard) TDX SP/SP-GT/SR (CTMT-F = 11" - 15" Range)

| Item Number | Note | Part Number | Description | Quantity Per | |
|-------------|------|-------------|--|--------------|----------|
| | | | | Package | Assembly |
| 1 | A | 1165388 | Center Mount Front Rigging w/ One PC Footboard (11" - 15" Range) | 1 | 1 |
| 2 | | | Rack, Center Mount Rigging Angle Adjustable | 1 | 1 |
| 3 | | | Support, Footrest, Center Mount, Black - Regular | 1 | 1 |
| 4 | | | Bearing, Flange (1/2 x 13/16 x 1/2") | 1 | 2 |
| 5 | | | Screw, Shoulder Hex Socket Head (5/16" x 2-1/2", 1/4-20) | 1 | 1 |
| 6 | | | Washer (1/4 x 1/2 x 1/16") | 1 | 1 |
| 7 | | | Locknut (1/4-20) | 1 | 1 |
| 8 | | | Bracket, Heel Stop, Black | 1 | 2 |
| 9 | | | NLA - Screw, Hex Head (5/16-18 x 3-1/4") | 1 | 2 |
| 10 | | | Locknut (5/16-18) | 1 | 2 |
| 11 | | | Footboard Extension Assembly, Black (11" - 15" Range) | 1 | 1 |
| 12 | | | Plug Button, Black (1" Square) | 1 | 1 |
| 13 | | | Screw, Socket, Button Head w/ Patch (5/16-18 x 3/4") | 1 | 4 |
| 14 | | | Cleat, Button Head | 1 | 2 |
| 15 | | | Screw, Socket Head (3/8-16 x 2-1/2") | 1 | 1 |
| 16 | | | Washer, Flat (3/8 x 11/16 x 1/16") | 1 | 1 |
| 17 | | | Washer, Nylon (3/8 x 3/4 x 1/16") | 1 | 2 |
| 18 | | | Bushing (3/8 x 5/8 x 1/2") | 1 | 1 |
| 19 | | | Locknut, Low Profile (3/8-16) | 1 | 1 |
| 20 | | | Screw, Set Socket Flat Point (5/16-18 x 1") | 1 | 1 |
| 21 | | | Locknut (5/16-18) | 1 | 1 |
| 22 | | | Footboard w/ Cover (11-1/4" W x 11-1/2" L) | 1 | 1 |
| 23 | B | 1165389 | Center Mount Front Rigging w/ One PC Footboard & Calf Pads (11" - 15" Range) | 1 | 1 |
| 2 | | | Rack, Center Mount Rigging Angle Adjustable | 1 | 1 |
| 3 | | | Support, Footrest, Center Mount, Black - Regular | 1 | 1 |
| 4 | | | Bearing, Flange (1/2 x 13/16 x 1/2") | 1 | 2 |
| 5 | | | Screw, Shoulder Hex Socket Head (5/16" x 3", 1/4-20) | 1 | 1 |
| 6 | | | Washer (1/4 x 1/2 x 1/16") | 1 | 1 |
| 7 | | | Locknut (1/4-20) | 1 | 1 |
| 8 | | | Bracket, Heel Stop, Black | 1 | 2 |
| 9 | | | NLA - Screw, Hex Head (5/16-18 x 3") | 1 | 2 |
| 10 | | | Locknut (5/16-18) | 1 | 2 |
| 11 | | | Footboard Extension Assembly, Black (11" - 15" Range) | 1 | 1 |
| 12 | | | Plug Button, Black (1" Square) | 1 | 1 |
| 13 | | | Screw, Socket, Button Head w/ Patch (5/16-18 x 3/4") | 1 | 4 |

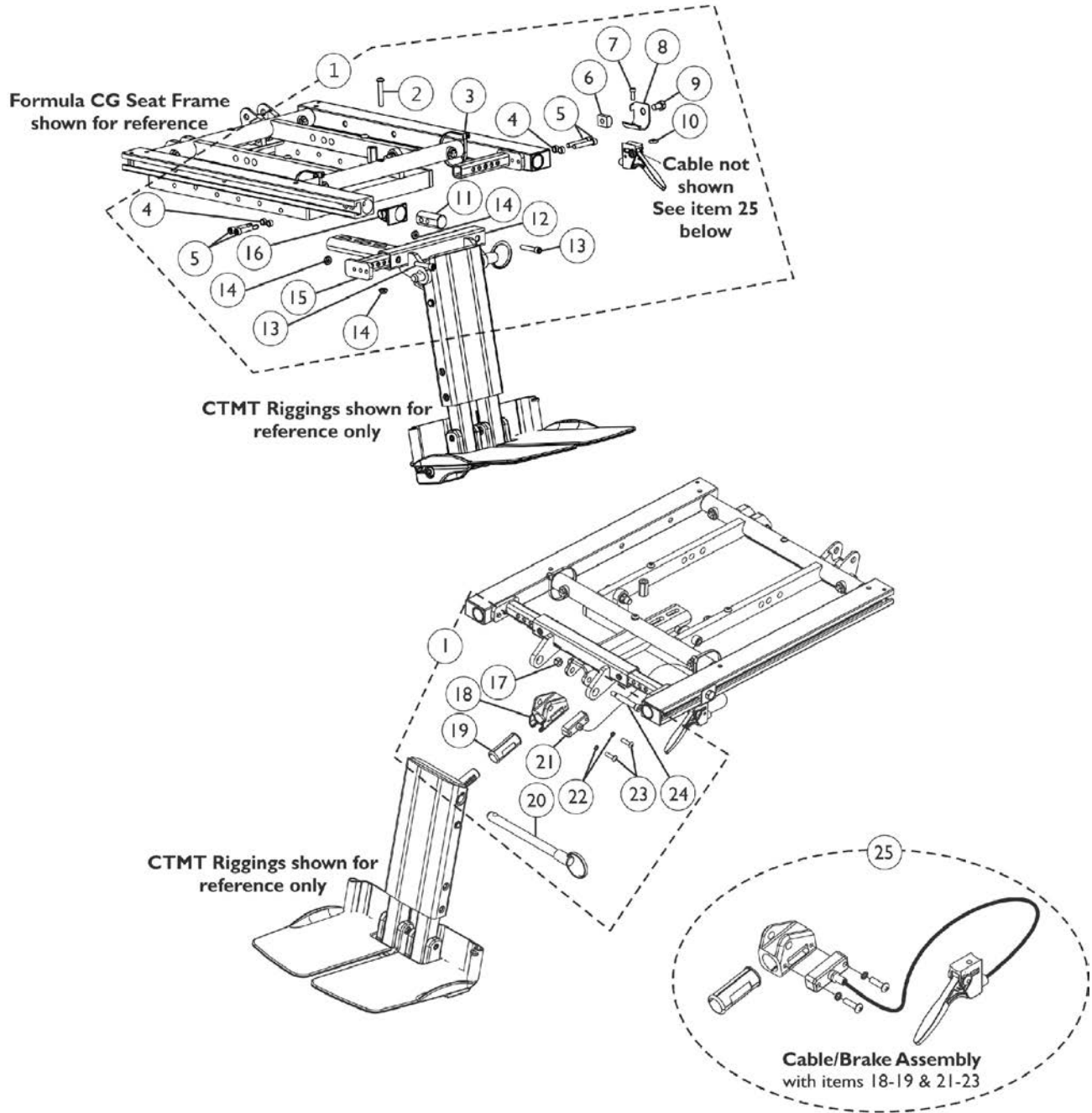
Front Rigging - Center Mount Rigging (CTMT-F with CTMTFB One PC Flip-Up Footboard) TDX SP/SP-GT/SR (CTMT-F = 11" - 15" Range)

| Item Number | Note | Part Number | Description | Quantity Per | |
|-------------|------|-------------|---|--------------|----------|
| | | | | Package | Assembly |
| 14 | | | Cleat, Button Head | 1 | 2 |
| 15 | | | Screw, Socket Head (3/8-16 x 2-1/2") | 1 | 1 |
| 16 | | | Washer, Flat (3/8 x 11/16 x 1/16") | 1 | 1 |
| 17 | | | Washer, Nylon (3/8 x 3/4 x 1/16") | 1 | 2 |
| 18 | | | Bushing (3/8 x 5/8 x 1/2") | 1 | 1 |
| 19 | | | Locknut, Low Profile (3/8-16) | 1 | 1 |
| 20 | | | Screw, Set Socket Flat Point (5/16-18 x 1") | 1 | 1 |
| 21 | | | Locknut (5/16-18) | 1 | 1 |
| 22 | | | Footboard w/ Cover (11-1/4" W x 11-1/2" L) | 1 | 1 |
| 24 | | | Washer, Nylon (5/16 x 7/8 x 1/8") | 1 | 2 |
| 25 | | | Bracket, Calf Pad, Black | 1 | 1 |
| 26 | | | Screw, Socket Button Head w/ Patch (1/4-20 x 3/4") | 1 | 6 |
| 27 | | | Nut, T (5/16-18) | 1 | 2 |
| 28 | | | Adjuster, Calf Pad | 1 | 2 |
| 29 | | | Bracket, Mounting, Calf Pad | 1 | 2 |
| 30 | | | Locknut (1/4-20) | 1 | 2 |
| 31 | | | Screw, Socket, Button Head w/ Patch (5/16-18 x 1/2") | 1 | 2 |
| 32 | | | Pad, Calf (4-1/2" W x 7-1/4" L) | 1 | 2 |
| 33 | C | 1166067 | Kit, Footboard Extension Assembly (11" - 15" Range) | 1 | 1 |
| 11 | | | Footboard Extension Assembly, Black (11" - 15" Range) | 1 | 1 |
| 12 | | | Plug Button, Black (1" Square) | 1 | 1 |
| 13 | | | Screw, Socket, Button Head w/ Patch (5/16-18 x 3/4") | 1 | 4 |
| 14 | | | Cleat, Button Head | 1 | 2 |
| 34 | D | 1147134 | Kit, Footboard Mounting Hardware | 1 | 1 |
| 15 | | | Screw, Socket Head (3/8-16 x 2-1/2") | 1 | 1 |
| 16 | | | Washer, Flat (3/8 x 11/16 x 1/16") | 1 | 1 |
| 17 | | | Washer, Nylon (3/8 x 3/4 x 1/16") | 1 | 2 |
| 18 | | | Bushing (3/8 x 5/8 x 1/2") | 1 | 1 |
| 19 | | | Locknut, Low Profile (3/8-16) | 1 | 1 |
| 20 | | | Screw, Set Socket Flat Point (5/16-18 x 1") | 1 | 1 |
| 21 | | | Locknut (5/16-18) | 1 | 1 |
| 22 | | 1114311 | Footboard w/ Cover (11-1/4" W x 11-1/2" L) | 1 | 1 |
| 35 | E | 1163373 | Kit, Calf Pad (Pair) | 1 | 1 |
| 26 | | | Pad, Calf (4-1/2" W x 7-1/4" L) | 1 | 2 |
| 32 | | | Screw, Socket Button Head w/ Patch (1/4-20 x 3/4") | 1 | 4 |
| | F | 1165506 | Kit, Bracket, Calf Pad Mounting w/ Hardware | 1 | 1 |
| 5 | | | Screw, Shoulder Hex Socket Head (5/16" x 3", 1/4-20) | 1 | 1 |
| 6 | | | Washer (1/4 x 1/2 x 1/16") | 1 | 1 |

Front Rigging - Center Mount Rigging (CTMT-F with CTMTFB One PC Flip-Up Footboard) TDX SP/SP-GT/SR (CTMT-F = 11" - 15" Range)

| Item Number | Note | Part Number | Description | Quantity Per | |
|---|------|-------------|--|--------------|----------|
| | | | | Package | Assembly |
| 7 | G | 1165505 | Locknut (1/4-20) | 1 | 1 |
| 24 | | | Washer, Nylon (5/16 x 7/8 x 1/8") | 1 | 2 |
| 25 | | | Bracket, Calf Pad, Black | 1 | 1 |
| | | | Kit, Hardware, Calf Pad Adjustment | 1 | 1 |
| 26 | | | Screw, Socket Button Head w/ Patch (1/4-20 x 3/4") | 1 | 2 |
| 27 | | | Nut, T (5/16-18) | 1 | 2 |
| 28 | | | Adjuster, Calf Pad | 1 | 2 |
| 29 | | | Bracket, Mounting, Calf Pad | 1 | 2 |
| 30 | | | Locknut (1/4-20) | 1 | 2 |
| 31 | | | Screw, Socket, Button Head w/ Patch (5/16-18 x 1/2") | 1 | 2 |
| NOTE: A - Includes items 2-22 B - Includes items 2-22 and 24-32 C - Includes items 11-14 D - Includes items 15-21 E - Includes items 26 and 32 F - Not shown. Includes items 5-7, 24 and 25 G - Not shown. Includes items 26-31 | | | | | |

Center Mount Rigging Mounting Hardware (12"-16" Wide) (CGT) For TDX SP/SP-GT/SR

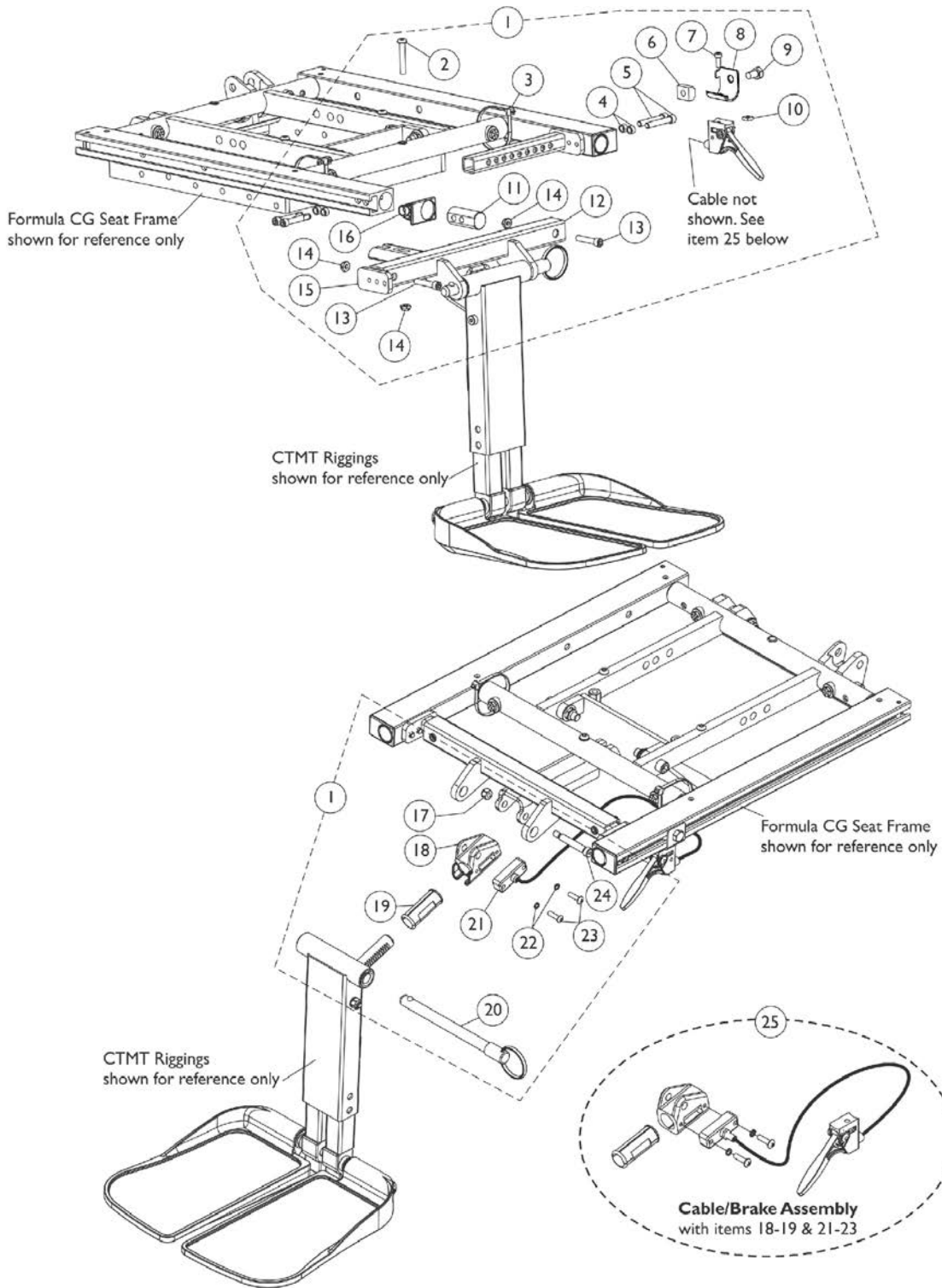


Center Mount Rigging Mounting Hardware (12"-16" Wide) (CGT) For TDX SP/SP-GT/SR

| Item Number | Note | Part Number | Description | Quantity Per | |
|-------------|------|-------------|--|--------------|----------|
| | | | | Package | Assembly |
| 1 | A | 1147106 | Kit, CTMT-FJ Center Mount Riggings Mounting Hardware | 1 | 1 |
| 2 | | | Screw, Socket Button Head (1/4-20 x 1-1/2") | 1 | 1 |
| 3 | | | Tie Wrap (11-1/2" L) | 1 | 2 |
| 4 | | | Spacer (1/4 x 3/8 x 3/16") | 1 | 4 |
| 5 | | | Screw, Socket Head Cap w/ Patch (1/4-20 x 1-1/2") | 1 | 4 |
| 6 | | | T-Nut (5/16-18) | 1 | 1 |
| 7 | | | NLA - Screw, Socket Head (#10-32 x 1/2") | 1 | 1 |
| 8 | | | Bracket, Release Handle Mounting, Black | 1 | 1 |
| 9 | | | NLA - Screw, Hex Head w/ Patch (5/16-18 x 1/2") | 1 | 1 |
| 10 | | | Nut, Square (#10-32) | 1 | 1 |
| 11 | | | Plug, Support | 1 | 2 |
| 12 | | | Support, Footrest, Center Mount Rigging, Black (12"-16" D) | 1 | 1 |
| 13 | | | Screw, Socket Head (1/4-20 x 1-1/4") | 1 | 2 |
| 14 | | | Locknut (1/4-20) | 1 | 3 |
| 15 | | | Support, Seat Pan (12"-16" W) | 1 | 2 |
| 16 | | | Cap, End, Side Rail, Black | 1 | 2 |
| 17 | | | Locknut (1/4-20) | 1 | 1 |
| 18 | | | Housing, Ratchet | 1 | 1 |
| 19 | | | Bearing, Glide | 1 | 2 |
| 20 | | | NLA - Pin, Quick Release (5" Long) | 1 | 1 |
| 21 | | | Cable/Brake Assembly | 1 | 1 |
| 22 | | | NLA - Washer, Lock (3/16 x 5/16 x 1/32") | 1 | 2 |
| 23 | | | Screw, Phillips Pan Head (#10-32 x 11/16") | 1 | 2 |
| 24 | | | Screw, Shoulder Hex Socket Head (5/16" x 1-5/8", 1/4-20) | 1 | 1 |
| 12 | | 1147105 | Support, Footrest, Center Mount Rigging, Black (12"-16" D) | 1 | 1 |
| 18 | | 1113389 | Housing, Ratchet | 1 | 1 |
| 19 | | 1113383 | Bearing, Glide | 1 | 2 |
| 21 | | 1113622 | Cable/Brake Assembly | 1 | 1 |
| 22 | | 1028527-NLA | NLA - Washer, Lock (3/16 x 5/16 x 1/32") | 1 | 2 |
| 23 | | 40163X008 | Screw, Phillips Pan Head (#10-32 x 11/16") | 1 | 2 |
| 25 | B | 1121079 | Cable/Brake Assembly w/ Ratchet Housing and Glide Bearing | 1 | 2 |
| | C | 1145733-NLA | NLA - Instruction Sheet, Center Mount Rigging For Formula CG | 1 | 1 |

NOTE: A - Includes items 2-23
B - Includes items 18-19 & 21-23
C - Not Shown

Center Mount Rigging Mounting Hardware (CGR 16"-19" D) (16"-24" Wide) For TDX SP/SP-GT/SR

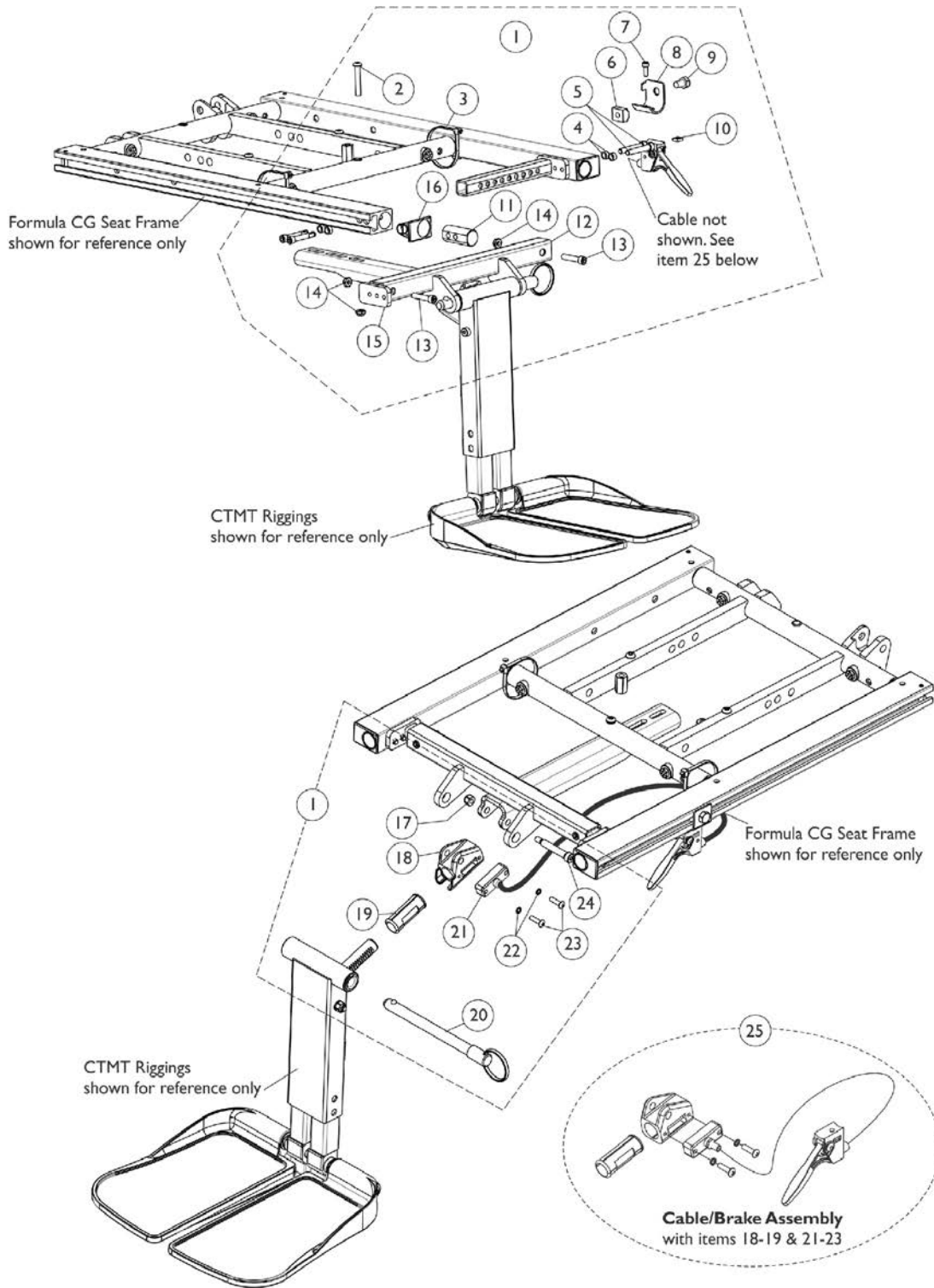


Center Mount Rigging Mounting Hardware (CGR 16"-19" D) (16"-24" Wide) For TDX SP/SP-GT/SR

| Item Number | Note | Part Number | Description | Quantity Per | |
|-------------|------|-------------|---|--------------|----------|
| | | | | Package | Assembly |
| 1 | A,D | 1179968 | Kit, CTMT-F Center Mount Riggings Mounting Hardware (CGR) (16" - 19" D) | 1 | 1 |
| 2 | | | Screw, Socket Button Head (1/4-20 x 1-1/2") | 1 | 1 |
| 3 | | | Tie Wrap (11-1/2" L) | 1 | 2 |
| 4 | | | Spacer (1/4 x 3/8 x 3/16") | 1 | 4 |
| 5 | | | Screw, Socket Head Cap w/ Patch (1/4-20 x 1-1/2") | 1 | 4 |
| 6 | | | T-Nut (5/16-18) | 1 | 1 |
| 7 | | | NLA - Screw, Socket Head (#10-32 x 1/2") | 1 | 1 |
| 8 | | | Bracket, Release Handle Mounting, Black | 1 | 1 |
| 9 | | | NLA - Screw, Hex Head w/ Patch (5/16-18 x 1/2") | 1 | 1 |
| 10 | | | Nut, Square (#10-32) | 1 | 1 |
| 11 | | | Plug, Support | 1 | 2 |
| 12 | | | Support, Footrest, Center Mount Rigging, Black (CGR) (16" - 19" D) | 1 | 1 |
| 13 | | | Screw, Socket Head (1/4-20 x 1-1/4") | 1 | 2 |
| 14 | | | Locknut (1/4-20) | 1 | 3 |
| 15 | | | Support, Seat Pan (16-24" Wide) | 1 | 2 |
| 16 | | | Cap, End, Side Rail, Black | 1 | 2 |
| 17 | | | Locknut (1/4-20) | 1 | 1 |
| 18 | | | Housing, Ratchet | 1 | 1 |
| 19 | | | Bearing, Glide | 1 | 2 |
| 20 | | | NLA - Pin, Quick Release (5" Long) | 1 | 1 |
| 21 | | | Cable/Brake Assembly | 1 | 1 |
| 22 | | | NLA - Washer, Lock (3/16 x 5/16 x 1/32") | 1 | 2 |
| 23 | | | Screw, Phillips Pan Head (#10-32 x 11/16") | 1 | 2 |
| 24 | | | Screw, Shoulder Hex Socket Head (5/16" x 1-5/8", 1/4-20) | 1 | 1 |
| 12 | D | 1179967 | Support, Footrest, Center Mount Rigging, Black (CGR) (16" - 19" D) | 1 | 1 |
| 18 | | 1113389 | Housing, Ratchet | 1 | 1 |
| 19 | | 1113383 | Bearing, Glide | 1 | 2 |
| 21 | | 1113622 | Cable/Brake Assembly | 1 | 1 |
| 22 | E | 1028527-NLA | NLA - Washer, Lock (3/16 x 5/16 x 1/32") | 1 | 2 |
| 23 | | 40163X008 | Screw, Phillips Pan Head (#10-32 x 11/16") | 1 | 2 |
| 25 | B | 1121079 | Cable/Brake Assembly w/ Ratchet Housing and Glide Bearing | 1 | 2 |
| | C | 1145733-NLA | NLA - Instruction Sheet, Center Mount Rigging For Formula CG | 1 | 1 |

NOTE: A - Includes items 2-24
B - Includes items 18-19 & 21-24
C - Not Shown
D - Item #12 Center Mount Rigging Footrest Support was revised and shortened by 2-1/4". Item #12 is backward compatible to all wheelchairs manufactured before 4/23/12 also.
E - Item #22 Lock Washer is no longer saleable individually.

Center Mount Rigging Mounting Hardware (CGR 19"-22" D) (CGT,CGTE,CGTR, CGTRE) (16"-24" W) TDX SP/SP-GT/SR



Center Mount Rigging Mounting Hardware (CGR 19"-22" D) (CGT,CGTE,CGTR, CGTRE) (16"-24" W) TDX SP/SP-GT/SR

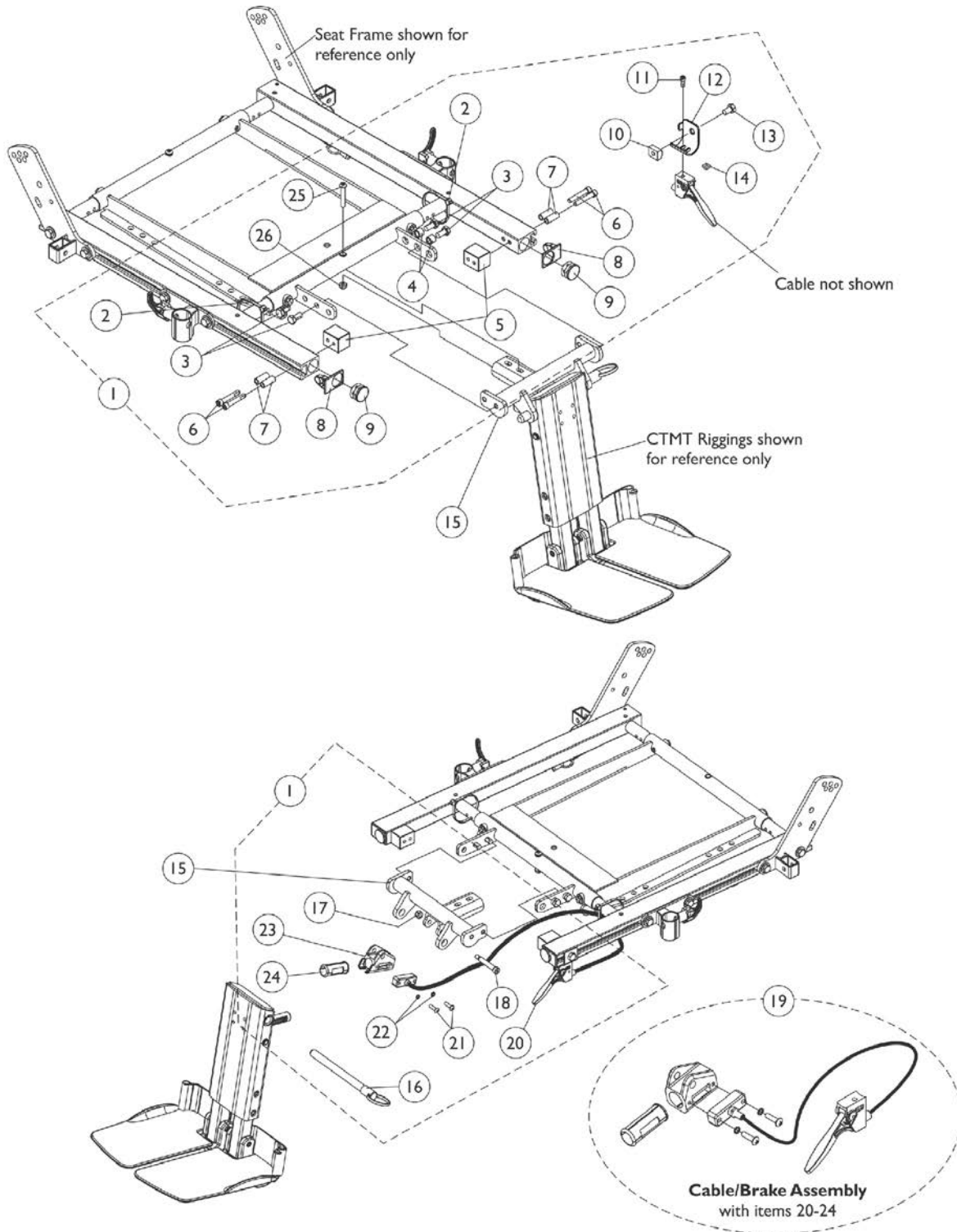
| Item Number | Note | Part Number | Description | Quantity Per | |
|-------------|--------|-------------|--|---|----------|
| | | | | Package | Assembly |
| 1 | D,D1,A | 1147095 | Kit, CTMT-F Center Mount Riggings Mounting Hardware (16" - 19" D) | 1 | 1 |
| 2 | | | Screw, Socket Button Head (1/4-20 x 1-1/2") | 1 | 1 |
| 3 | | | Tie Wrap (11-1/2" L) | 1 | 2 |
| 4 | | | Spacer (1/4 x 3/8 x 3/16") | 1 | 4 |
| 5 | | | Screw, Socket Head Cap w/ Patch (1/4-20 x 1-1/2") | 1 | 4 |
| 6 | | | T-Nut (5/16-18) | 1 | 1 |
| 7 | | | NLA - Screw, Socket Head (#10-32 x 1/2") | 1 | 1 |
| 8 | | | Bracket, Release Handle Mounting, Black | 1 | 1 |
| 9 | | | NLA - Screw, Hex Head w/ Patch (5/16-18 x 1/2") | 1 | 1 |
| 10 | | | Nut, Square (#10-32) | 1 | 1 |
| 11 | | | Plug, Support | 1 | 2 |
| 12 | | | Support, Footrest, Center Mount Rigging, Black (16"-19" D) | 1 | 1 |
| 13 | | | Screw, Socket Head (1/4-20 x 1-1/4") | 1 | 2 |
| 14 | | | Locknut (1/4-20) | 1 | 3 |
| 15 | | | Support, Seat Pan (16-24" Wide) | 1 | 2 |
| 16 | | | Cap, End, Side Rail, Black | 1 | 2 |
| 17 | | | Locknut (1/4-20) | 1 | 1 |
| 18 | | | Housing, Ratchet | 1 | 1 |
| 19 | | | Bearing, Glide | 1 | 2 |
| 20 | | | NLA - Pin, Quick Release (5" Long) | 1 | 1 |
| 21 | | | Cable/Brake Assembly | 1 | 1 |
| 22 | | | NLA - Washer, Lock (3/16 x 5/16 x 1/32") | 1 | 2 |
| 23 | | | Screw, Phillips Pan Head (#10-32 x 11/16") | 1 | 2 |
| 24 | | | Screw, Shoulder Hex Socket Head (5/16" x 1-5/8", 1/4-20) | 1 | 1 |
| 12 | D,D1 | 1146336 | Support, Footrest, Center Mount Rigging, Black (16"-19" D) | 1 | 1 |
| 18 | | 1113389 | Housing, Ratchet | 1 | 1 |
| 19 | | 1113383 | Bearing, Glide | 1 | 2 |
| 21 | | 1113622 | Cable/Brake Assembly | 1 | 1 |
| 22 | | 1028527-NLA | NLA - Washer, Lock (3/16 x 5/16 x 1/32") | 1 | 2 |
| 23 | | 40163X008 | Screw, Phillips Pan Head (#10-32 x 11/16") | 1 | 2 |
| 25 | | B | 1121079 | Cable/Brake Assembly w/ Ratchet Housing and Glide Bearing | 1 |
| 1 | F,A | 1147096 | Kit, CTMT-F Center Mount Riggings Mounting Hardware (19"-22" Deep) | 1 | 1 |
| 2 | | | Screw, Socket Button Head (1/4-20 x 1-1/2") | 1 | 1 |
| 3 | | | Tie Wrap (11-1/2" L) | 1 | 2 |
| 4 | | | Spacer (1/4 x 3/8 x 3/16") | 1 | 4 |
| 5 | | | Screw, Socket Head Cap w/ Patch (1/4-20 x 1-1/2") | 1 | 4 |
| 6 | | | T-Nut (5/16-18) | 1 | 1 |
| 7 | | | NLA - Screw, Socket Head (#10-32 x 1/2") | 1 | 1 |

Center Mount Rigging Mounting Hardware (CGR 19"-22" D) (CGT,CGTE,CGTR, CGTRE) (16"-24" W) TDX SP/SP-GT/SR

| Item Number | Note | Part Number | Description | Quantity Per | |
|-------------|------|-------------|--|--------------|----------|
| | | | | Package | Assembly |
| 8 | | | Bracket, Release Handle Mounting, Black | 1 | 1 |
| 9 | | | NLA - Screw, Hex Head w/ Patch (5/16-18 x 1/2") | 1 | 1 |
| 10 | | | Nut, Square (#10-32) | 1 | 1 |
| 11 | | | Plug, Support | 1 | 2 |
| 12 | | | Support, Center Mount Rigging, Black (19"-22" D) | 1 | 1 |
| 13 | | | Screw, Socket Head (1/4-20 x 1-1/4") | 1 | 2 |
| 14 | | | Locknut (1/4-20) | 1 | 3 |
| 15 | | | Support, Seat Pan (16-24" Wide) | 1 | 2 |
| 16 | | | Cap, End, Side Rail, Black | 1 | 2 |
| 17 | | | Locknut (1/4-20) | 1 | 1 |
| 18 | | | Housing, Ratchet | 1 | 1 |
| 19 | | | Bearing, Glide | 1 | 2 |
| 20 | | | NLA - Pin, Quick Release (5" Long) | 1 | 1 |
| 21 | | | Cable/Brake Assembly | 1 | 1 |
| 22 | | | NLA - Washer, Lock (3/16 x 5/16 x 1/32") | 1 | 2 |
| 23 | | | Screw, Phillips Pan Head (#10-32 x 11/16") | 1 | 2 |
| 24 | | | Screw, Shoulder Hex Socket Head (5/16" x 1-5/8", 1/4-20) | 1 | 1 |
| 12 | | 1147091 | Support, Center Mount Rigging, Black (19"-22" D) | 1 | 1 |
| 18 | | 1113389 | Housing, Ratchet | 1 | 1 |
| 19 | | 1113383 | Bearing, Glide | 1 | 2 |
| 21 | | 1113622 | Cable/Brake Assembly | 1 | 1 |
| 22 | E | 1028527-NLA | NLA - Washer, Lock (3/16 x 5/16 x 1/32") | 1 | 2 |
| 23 | | 40163X008 | Screw, Phillips Pan Head (#10-32 x 11/16") | 1 | 2 |
| 25 | B | 1121079 | Cable/Brake Assembly w/ Ratchet Housing and Glide Bearing | 1 | 1 |
| | C | 1145733-NLA | NLA - Instruction Sheet, Center Mount Rigging For Formula CG | 1 | 1 |

NOTE: A - Includes items 2-24
 B - Includes items 18-19 & 21-24
 C - Not Shown
 D - Part #1147095 and 1146336 is "no longer" used for (CGR 16"-19" D) models as of 4/23/12. See page titled "Center Mount Rigging Mounting Hardware (CGR 16"-19" D) (16"-24" W) TDX SP/SP-GT/SR".
 D1 - Part #1147095 is used for models (CGT/CGTE/CGTR/CGTRE 16"-19" D). Also used for model (CGR 19"-22" D).
 E - Item #22 Lock Washer is no longer saleable individually.
 F - Part #1147096 is used for models (CGT/CGTE/CGTR/CGTRE 19"-22" D) only. For model (CGR 19"-22" D), see part #1147095.

Center Mount Rigging Mounting Hardware (CTMT-F/CTMT-FL) (16"-22" Wide) (CGE) For TDX SP/SP-GT/SR

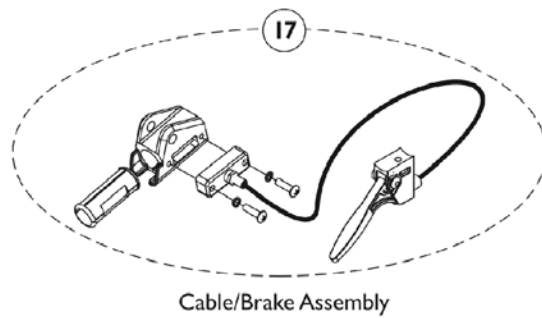
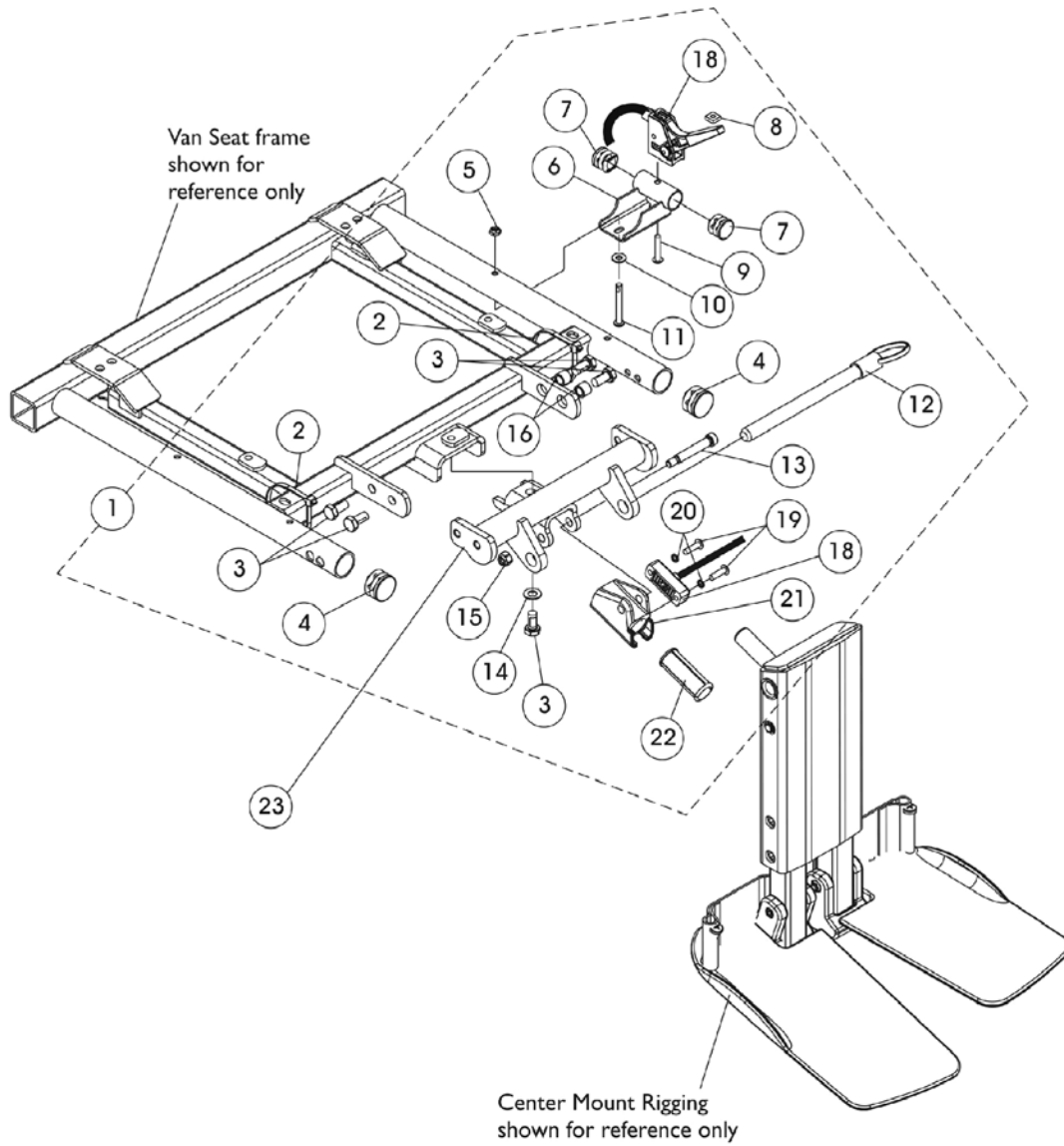


Center Mount Rigging Mounting Hardware (CTMT-F/CTMT-FL) (16"-22" Wide) (CGE) For TDX SP/SP-GT/SR

| Item Number | Note | Part Number | Description | Quantity Per | |
|-------------|------|-------------|--|--------------|----------|
| | | | | Package | Assembly |
| 1 | A | 1124701 | Kit, CTMT-F/CTMT-FL/CTMT-FJ Center Mount Rigging Mounting Hardware | 1 | 1 |
| 2 | | | Tie Wrap (11-1/2" L) | 1 | 2 |
| 3 | | | Screw, Hex Head w/ Patch (5/16-18 x 5/8") | 1 | 4 |
| 4 | | | Spacer (5/16 x 7/16 x 3/8") | 1 | 2 |
| 5 | | | Block, Threaded | 1 | 2 |
| 6 | | | Screw, Socket Head Cap w/ Patch (1/4-20 x 1-1/2") | 1 | 4 |
| 7 | | | Spacer (1/4 x 3/8 x 29/32") | 1 | 4 |
| 8 | | | Cap, End, Side Rail, Black | 1 | 2 |
| 9 | | | Plug Button, Black (1") | 1 | 2 |
| 10 | | | T-Nut (5/16-18) | 1 | 1 |
| 11 | | | NLA - Screw, Socket Head (#10-32 x 1/2") | 1 | 1 |
| 12 | | | Bracket, Release Handle Mounting, Black | 1 | 1 |
| 13 | | | NLA - Screw, Hex Head w/ Patch (5/16-18 x 1/2") | 1 | 1 |
| 14 | | | Nut, Square (#10-32) | 1 | 1 |
| 16 | | | NLA - Pin, Quick Release (5" Long) | 1 | 1 |
| 17 | | | Locknut (1/4-20) | 1 | 1 |
| 18 | | | Screw, Shoulder Hex Socket Head (5/16" x 1-5/8", 1/4-20) | 1 | 1 |
| 20 | | | Cable/Brake Assembly | 1 | 1 |
| 21 | | | Screw, Phillips Pan Head (#10-32 x 11/16") | 1 | 2 |
| 22 | | | NLA - Washer, Lock (3/16 x 5/16 x 1/32") | 1 | 2 |
| 23 | | | Housing, Ratchet | 1 | 1 |
| 24 | | | Bearing, Glide | 1 | 1 |
| 25 | | | Screw, Socket Button Head (1/4-20 x 1-1/2") | 1 | 1 |
| 26 | | | Locknut (1/4-20) | 1 | 1 |
| 15 | C | 1122675 | Support, Center Mount Rigging, Black (16 - 19" D) | 1 | 1 |
| 15 | D | 1136001 | Support, Center Mount Rigging, Long, Black (19 - 22" D) | 1 | 1 |
| 19 | B | 1121079 | Cable/Brake Assembly w/ Ratchet Housing and Glide Bearing | 1 | 1 |
| 20 | | 1113622 | Cable/Brake Assembly | 1 | 1 |
| 21 | | 40163X008 | Screw, Phillips Pan Head (#10-32 x 11/16") | 1 | 2 |
| 22 | | 1028527-NLA | NLA - Washer, Lock (3/16 x 5/16 x 1/32") | 1 | 2 |
| 23 | | 1113389 | Housing, Ratchet | 1 | 1 |
| 24 | | 1113383 | Bearing, Glide | 1 | 1 |

NOTE: A - Includes items 2-14, 16-18 and 20-26
B - Includes items 20-24
C - Support used for 16"-19" deep seats
D - Support used for 19"-22" deep seats

Center Mount Rigging Mounting Hardware (CTMT-F/CTMT-FJ) (CGE) w/ Van Seats For TDX SP/SP-GT/SR



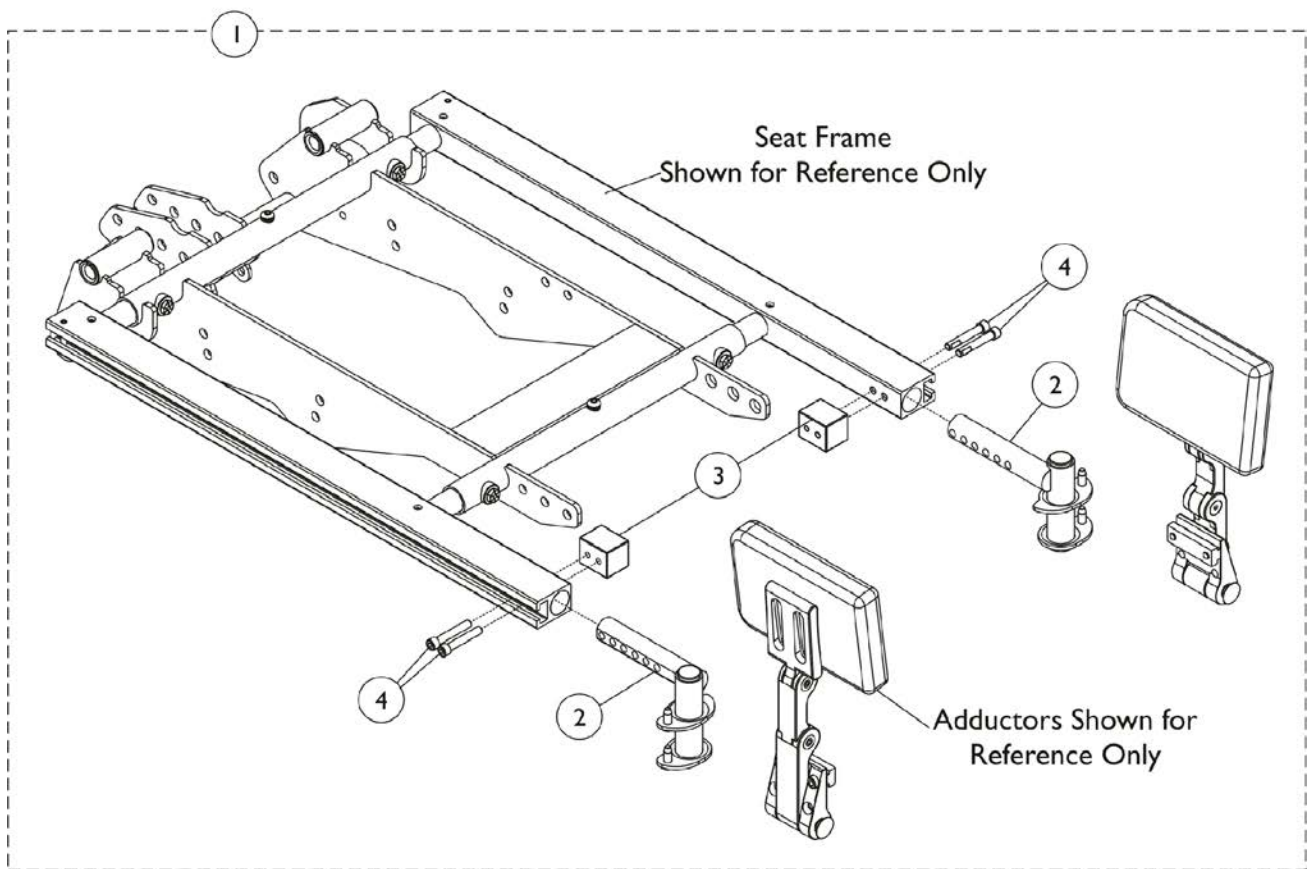
Center Mount Rigging Mounting Hardware (CTMT-F/CTMT-FJ) (CGE) w/ Van Seats For TDX SP/SP-GT/SR

| Item Number | Note | Part Number | Description | Quantity Per | |
|-------------|------|-------------|--|--------------|----------|
| | | | | Package | Assembly |
| 1 | A | 1146629 | Kit, Center Mount Rigging Mounting Hardware For Captain Seat | 1 | 1 |
| 2 | | | Tie Wrap (11-1/2" L) | 1 | 2 |
| 3 | | | Screw, Hex Head w/ Patch (5/16-18 x 5/8") | 1 | 5 |
| 4 | | | Plug Button, Black (1") | 1 | 2 |
| 5 | | | Locknut (#10-32) | 1 | 1 |
| 6 | | | Bracket, Release Handle, Black, Van Seat | 1 | 1 |
| 7 | | | Plug Button, Black (3/4") | 1 | 2 |
| 8 | | | Nut, Square (#10-32) | 1 | 1 |
| 9 | | | Screw, Phillips Pan Head (#10-32 x 1") | 1 | 1 |
| 10 | | | NLA - Washer, Plain (3/16 x 1/2 x 1/16") | 1 | 1 |
| 11 | | | Screw, Phillips Pan Head w/ Patch (#10-32 x 1-5/8") | 1 | 1 |
| 12 | | | NLA - Pin, Quick Release (5" Long) | 1 | 1 |
| 13 | | | Screw, Shoulder Hex Socket Head (5/16" x 1-5/8", 1/4-20) | 1 | 1 |
| 14 | | | Washer, Flat (5/16 x 5/8 x 1/16") | 1 | 1 |
| 15 | | | Locknut (1/4-20) | 1 | 1 |
| 16 | | | Spacer (5/16 x 7/16 x 3/8") | 1 | 2 |
| 18 | | | Cable/Brake Assembly | 1 | 1 |
| 19 | | | Screw, Phillips Pan Head (#10-32 x 11/16") | 1 | 2 |
| 20 | | | NLA - Washer, Lock (3/16 x 5/16 x 1/32") | 1 | 2 |
| 21 | | | Housing, Ratchet | 1 | 1 |
| 22 | | | Bearing, Glide | 1 | 2 |
| 23 | | 1147077 | Support, Center Mount Rigging For Captain Seat, Black | 1 | 1 |
| 17 | B | 1121079 | Cable/Brake Assembly w/ Ratchet Housing and Glide Bearing | 1 | 1 |

NOTE: A - Includes items 2-22
B - Includes items 19-22

Adductor Mounting Hardware, Hemi Style, TDX SP/SP-GT/SR

For replacement Adductors, see section titled, "Accessories-Adductors" within the Formula™CG Powered Seating Elevate CGE Tilt CGT/CGTE Recline CGR Tilt/Recline CGTR/CGTRE parts book.



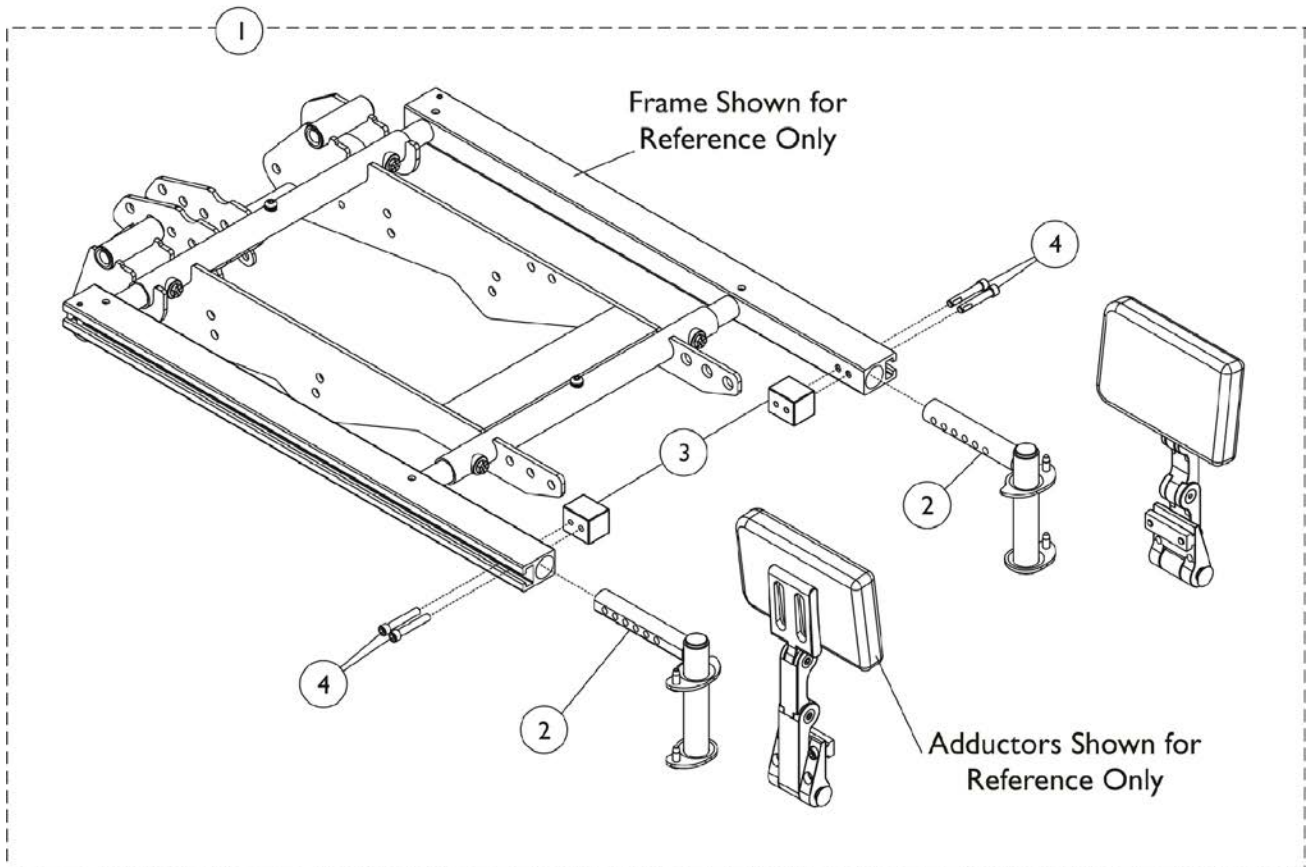
Adductor Mounting Hardware, Hemi Style, TDX SP/SP-GT/SR

For replacement Adductors, see section titled, "Accessories-Adductors" within the Formula™CG
Powered Seating Elevate CGE Tilt CGT/CGTE Recline CGR Tilt/Recline CGTR/CGTRE parts book.

| Item Number | Note | Part Number | Description | Quantity Per | |
|-------------------------------|------|-------------|--|--------------|----------|
| | | | | Package | Assembly |
| 1 | A | 1162431-NLA | NLA - Kit, Adductor Mounting Hardware, Hemi TDX SP/SR | 1 | 1 |
| 2 | | | Front Rigging Hanger Assembly w/ Plug Button, Pin Style, Hemi, Black - Right | 1 | 1 |
| 2 | | | Front Rigging Hanger Assembly w/ Plug Button, Pin Style, Hemi, Black - Left | 1 | 1 |
| 3 | | | Block, Threaded | 1 | 2 |
| 4 | | | Screw, Socket Head Cap w/ Patch (1/4-20 x 1-1/2") | 1 | 4 |
| NOTE: A - Includes items 2-4. | | | | | |

Adductor Mounting Hardware, Hemi Style, 3G Storm

For replacement Adductors, see section titled, "Accessories-Adductors" within the Formula™CG Powered Seating Elevate CGE Tilt CGT/CGTE Recline CGR Tilt/Recline CGTR/CGTRE parts book.



Adductor Mounting Hardware, Hemi Style, 3G Storm

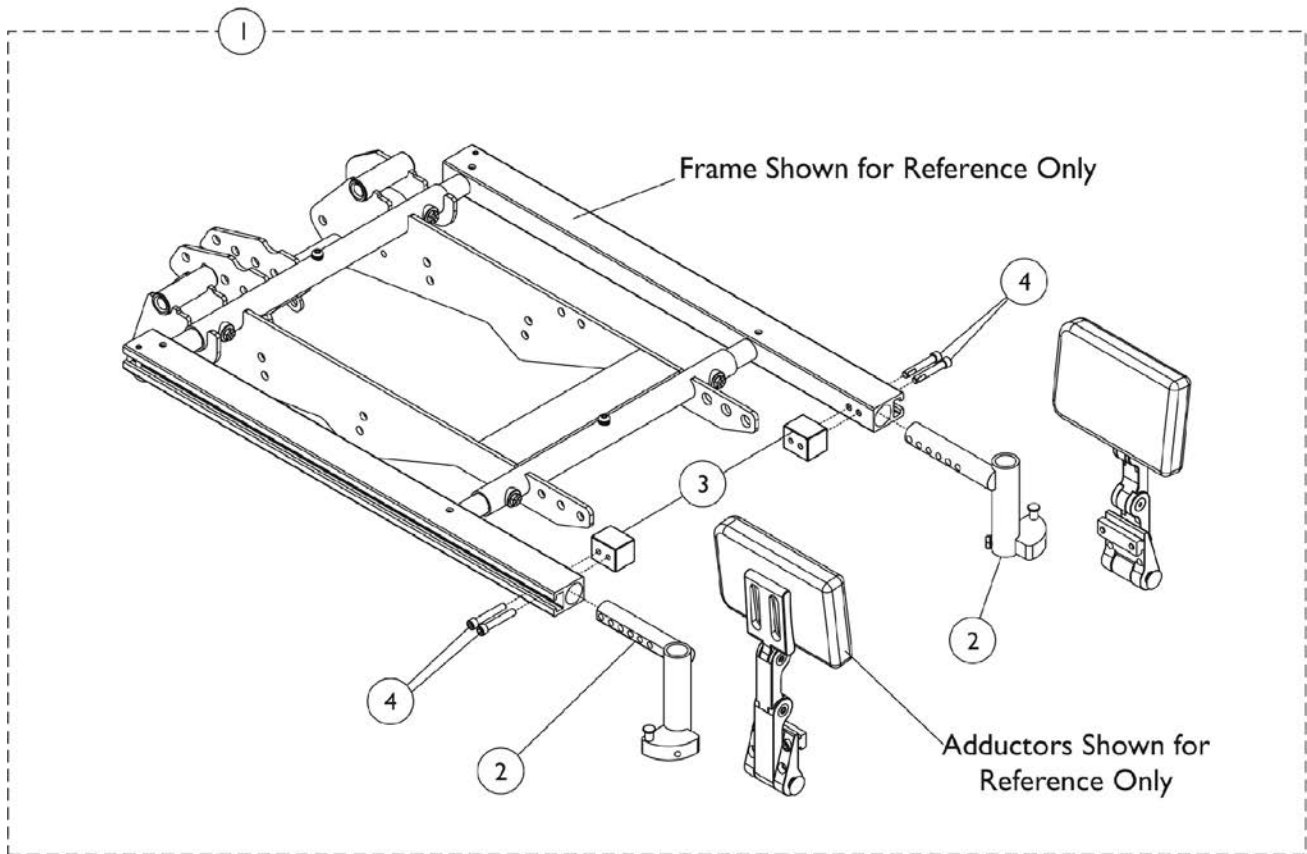
For replacement Adductors, see section titled, "Accessories-Adductors" within the Formula™CG Powered Seating Elevate CGE Tilt CGT/CGTE Recline CGR Tilt/Recline CGTR/CGTRE parts book.

| Item Number | Note | Part Number | Description | Quantity Per | |
|-------------|------|-------------|---|--------------|----------|
| | | | | Package | Assembly |
| 1 | A | 1162435-NLA | NLA - Kit, Adductor Mounting Hardware, Hemi Style, 3G Storm | 1 | 1 |
| 2 | | | Front Rigging Hanger Assembly w/ Plug Button, Pin Style, Adult, Black - Right | 1 | 1 |
| 2 | | | Front Rigging Hanger Assembly w/ Plug Button, Pin Style, Adult, Black - Left | 1 | 1 |
| 3 | | | Block, Threaded | 1 | 2 |
| 4 | | | Screw, Socket Head Cap w/ Patch (1/4-20 x 1-1/2") | 1 | 4 |

NOTE: A - Includes items 2-4.

Adductor Mounting Hardware - Sector Style

For replacement Adductors, see section titled, "Accessories-Adductors" within the Formula™CG Powered Seating Elevate CGE Tilt CGT/CGTE Recline CGR Tilt/Recline CGTR/CGTRE parts book.



Adductor Mounting Hardware - Sector Style

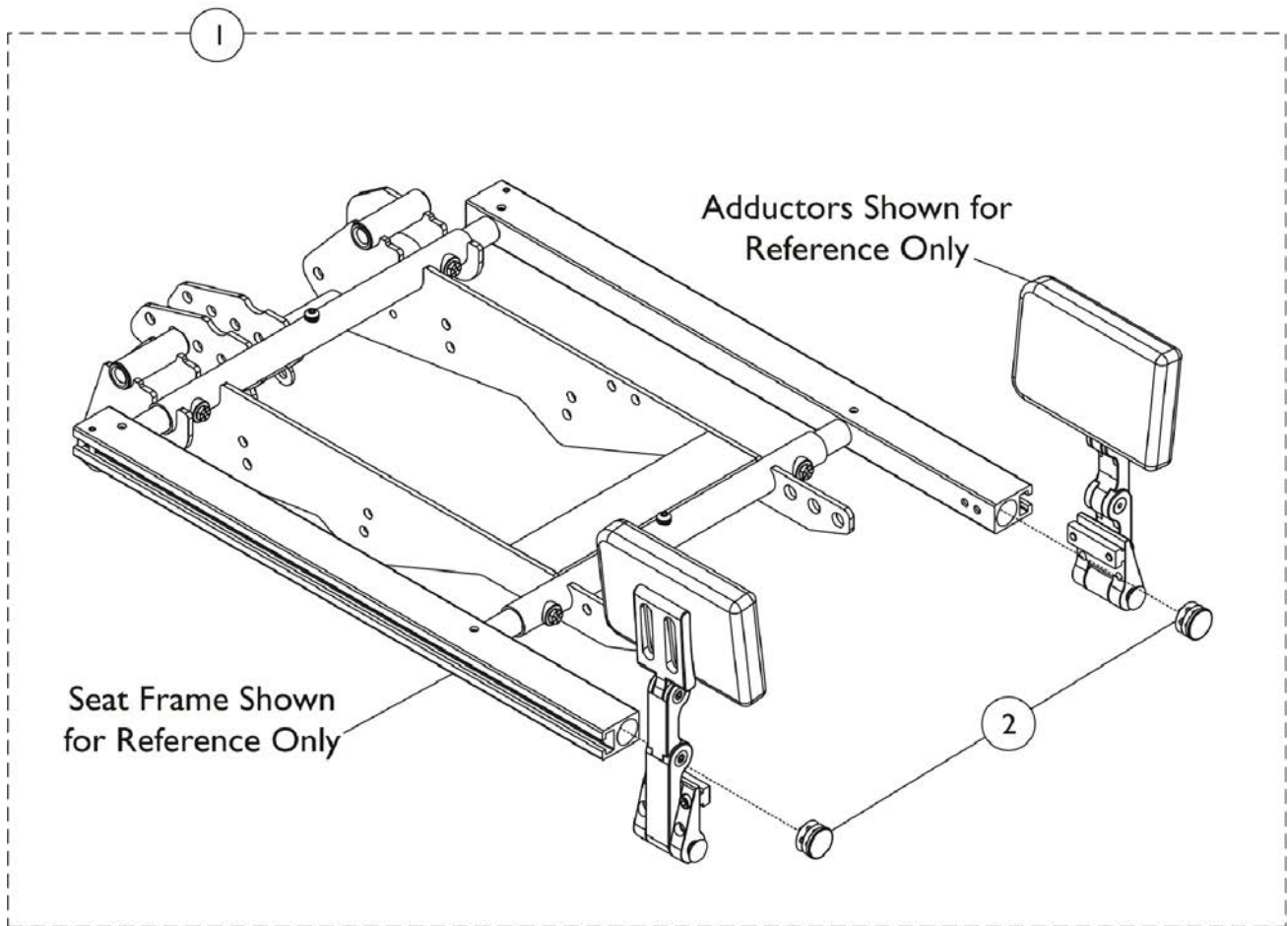
For replacement Adductors, see section titled, "Accessories-Adductors" within the Formula™CG Powered Seating Elevate CGE Tilt CGT/CGTE Recline CGR Tilt/Recline CGTR/CGTRE parts book.

| Item Number | Note | Part Number | Description | Quantity Per | |
|-------------|------|-------------|--|--------------|----------|
| | | | | Package | Assembly |
| 1 | A | 1162433 | Kit, Adductor Mounting Hardware, Sector Front Riggings | 1 | 1 |
| 2 | | | Front Rigging Hanger Assembly w/ Sector Block, Black - Right | 1 | 1 |
| 2 | | | Front Rigging Hanger Assembly w/ Sector Block, Black - Left | 1 | 1 |
| 3 | | | Block, Threaded | 1 | 2 |
| 4 | | | Screw, Socket Head Cap w/ Patch (1/4-20 x 1-1/2") | 1 | 4 |

NOTE: A - Includes items 2-4.

Adductors Mounting Hardware, MPCTMT/MPCTMT-L Style

For replacement Adductors, see section titled, "Accessories-Adductors" within the Formula™CG Powered Seating Elevate CGE Tilt CGT/CGTE Recline CGR Tilt/Recline CGTR/CGTRE parts book.



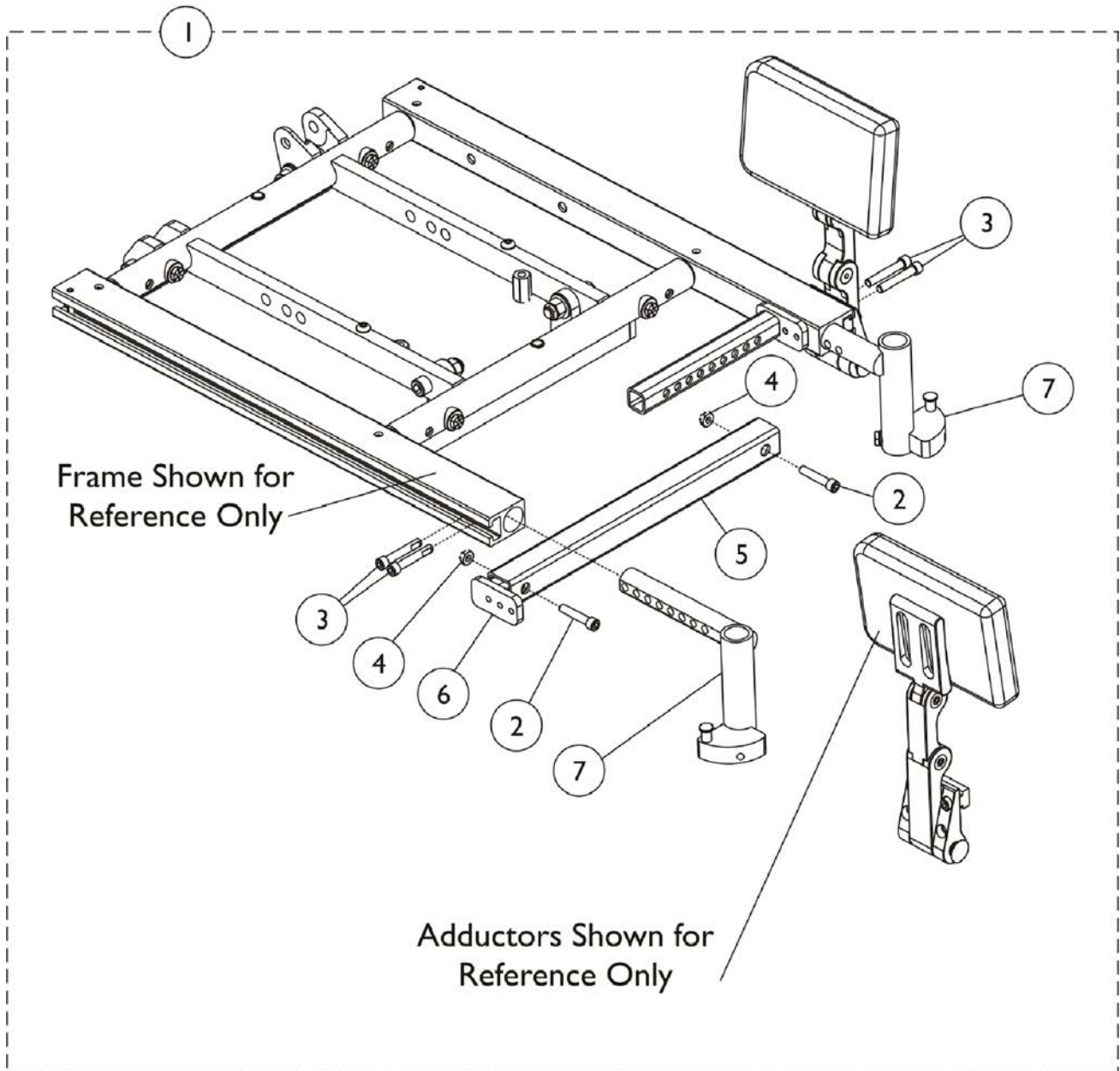
Adductors Mounting Hardware, MPCTMT/MPCTMT-L Style
For replacement Adductors, see section titled, "Accessories-Adductors"
within the Formula™CG Powered Seating Elevate CGE Tilt CGT/CGTE
Recline CGR Tilt/Recline CGTR/CGTRE parts book.

| Item Number | Note | Part Number | Description | Quantity Per | |
|-------------|------|-------------|--|--------------|----------|
| | | | | Package | Assembly |
| 1 | A | 1162434 | Hardware, Mounting, Adductor, MPCTMT/MPCTMT-L Front Riggings | 1 | 1 |
| 2 | | | Plug Button, Black (1") | 1 | 2 |

NOTE: A - Includes item 2.

Adductor Mounting Hardware, Tilt/Recline, Sector Style

For replacement Adductors, see section titled, "Accessories-Adductors" within the Formula™CG Powered Seating Elevate CGE Tilt CGT/CGTE Recline CGR Tilt/Recline CGTR/CGTRE parts book.



Adductor Mounting Hardware, Tilt/Recline, Sector Style

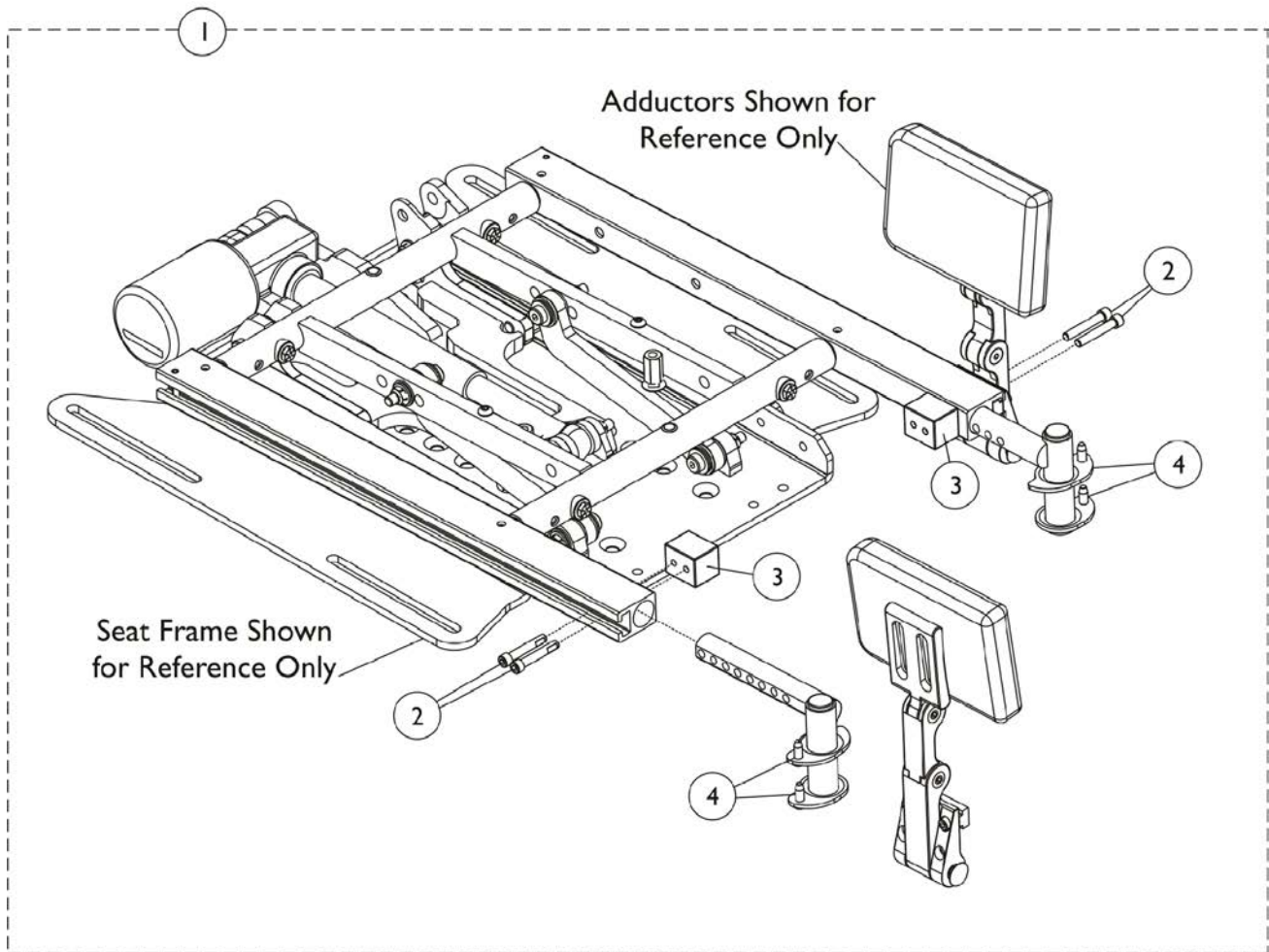
For replacement Adductors, see section titled, "Accessories-Adductors" within the Formula™CG Powered Seating Elevate CGE Tilt CGT/CGTE Recline CGR Tilt/Recline CGTR/CGTRE parts book.

| Item Number | Note | Part Number | Description | Quantity Per | |
|-------------|------|-------------|--|--------------|----------|
| | | | | Package | Assembly |
| 1 | A | 1162437 | Kit, Adductor Mounting Hardware, Tilt/Recline w/ Sector Front Riggings | 1 | 1 |
| 2 | | | Screw, Socket Head (1/4-20 x 1-1/4") | 1 | 2 |
| 3 | | | Screw, Socket Head Cap w/ Patch (1/4-20 x 1-1/2") | 1 | 4 |
| 4 | | | Locknut (1/4-20) | 1 | 2 |
| 5 | | | Crossmember, Front Center Seat Frame, Black | 1 | 1 |
| 6 | | | Support, Seat Pan (16-24" Wide) | 1 | 2 |
| 7 | | | Front Rigging Hanger Assembly w/ Sector Block, Black - Right | 1 | 1 |
| 7 | | | Front Rigging Hanger Assembly w/ Sector Block, Black - Left | 1 | 1 |

NOTE: A - Includes items 2-7.

Adductors Mounting Hardware, CG Tilt/Elevate For TDXSP/SP-GT/SR

For replacement Adductors, see section titled, "Accessories-Adductors" within the Formula™CG Powered Seating Elevate CGE Tilt CGT/CGTE Recline CGR Tilt/Recline CGTR/CGTRE parts book.



Adductors Mounting Hardware, CG Tilt/Elevate For TDXSP/SP-GT/SR

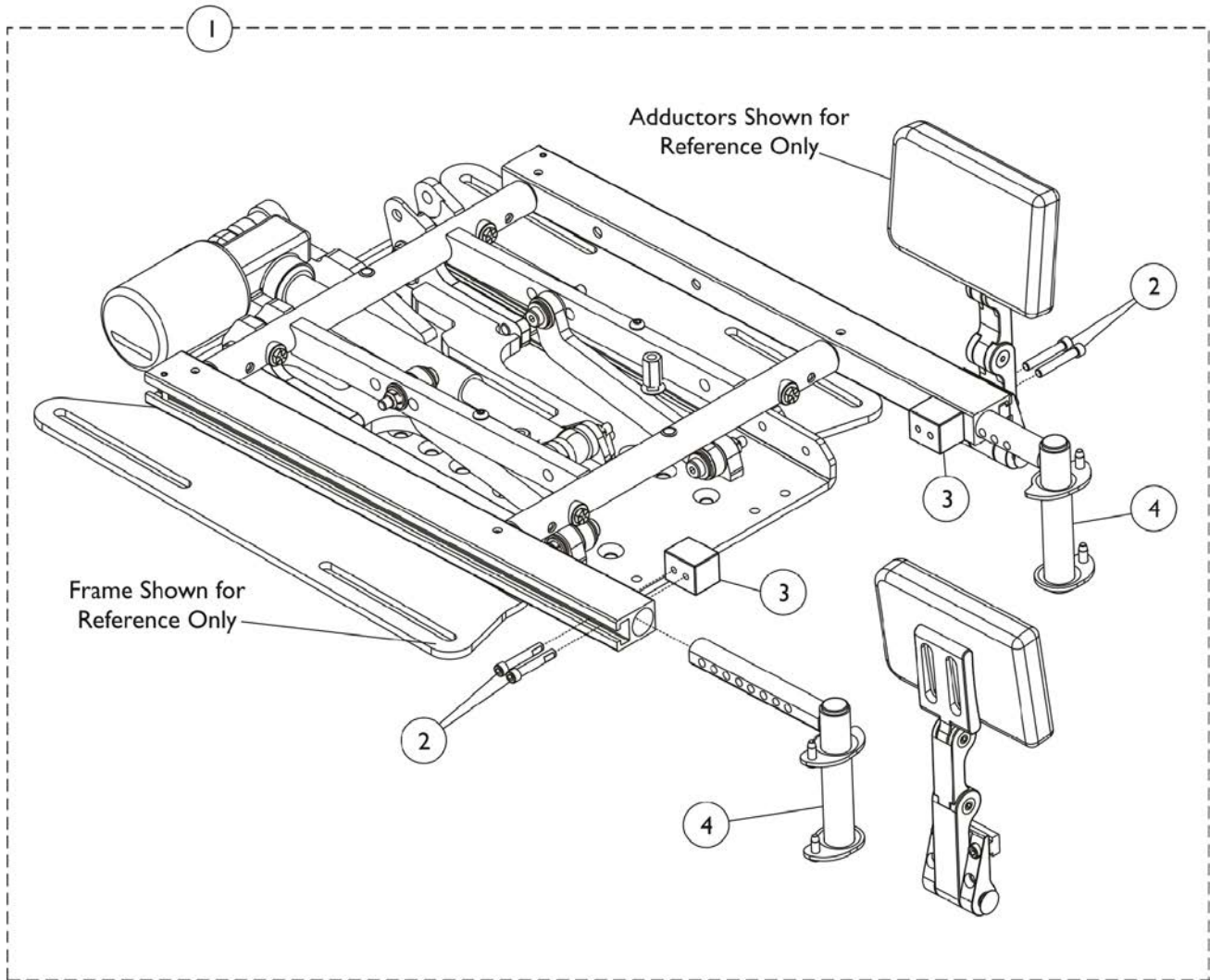
For replacement Adductors, see section titled, "Accessories-Adductors" within the Formula™CG Powered Seating Elevate CGE Tilt CGT/CGTE Recline CGR Tilt/Recline CGTR/CGTRE parts book.

| Item Number | Note | Part Number | Description | Quantity Per | |
|-------------|------|-------------|---|--------------|----------|
| | | | | Package | Assembly |
| 1 | A | 1162438 | NLA - Kit, Adductor Mounting Hardware, CG Tilt/Elevate for TDXSP/SR | 1 | 1 |
| 2 | | | Screw, Socket Head Cap w/ Patch (1/4-20 x 1-1/2") | 1 | 4 |
| 3 | | | Block, Threaded | 1 | 2 |
| 4 | | | Front Rigging Hanger Assembly w/ Plug Button, Hemi, Black - Right | 1 | 1 |
| 4 | | | Front Rigging Hanger Assembly w/ Plug Button, Hemi, Black - Left | 1 | 1 |

NOTE: A - Includes items 2-4.

Adductors Mounting Hardware, CG Tilt/Elevate For 3G Storm

For replacement Adductors, see section titled, "Accessories-Adductors" within the Formula™CG Powered Seating Elevate CGE Tilt CGT/CGTE Recline CGR Tilt/Recline CGTR/CGTRE parts book.



Adductors Mounting Hardware, CG Tilt/Elevate For 3G Storm

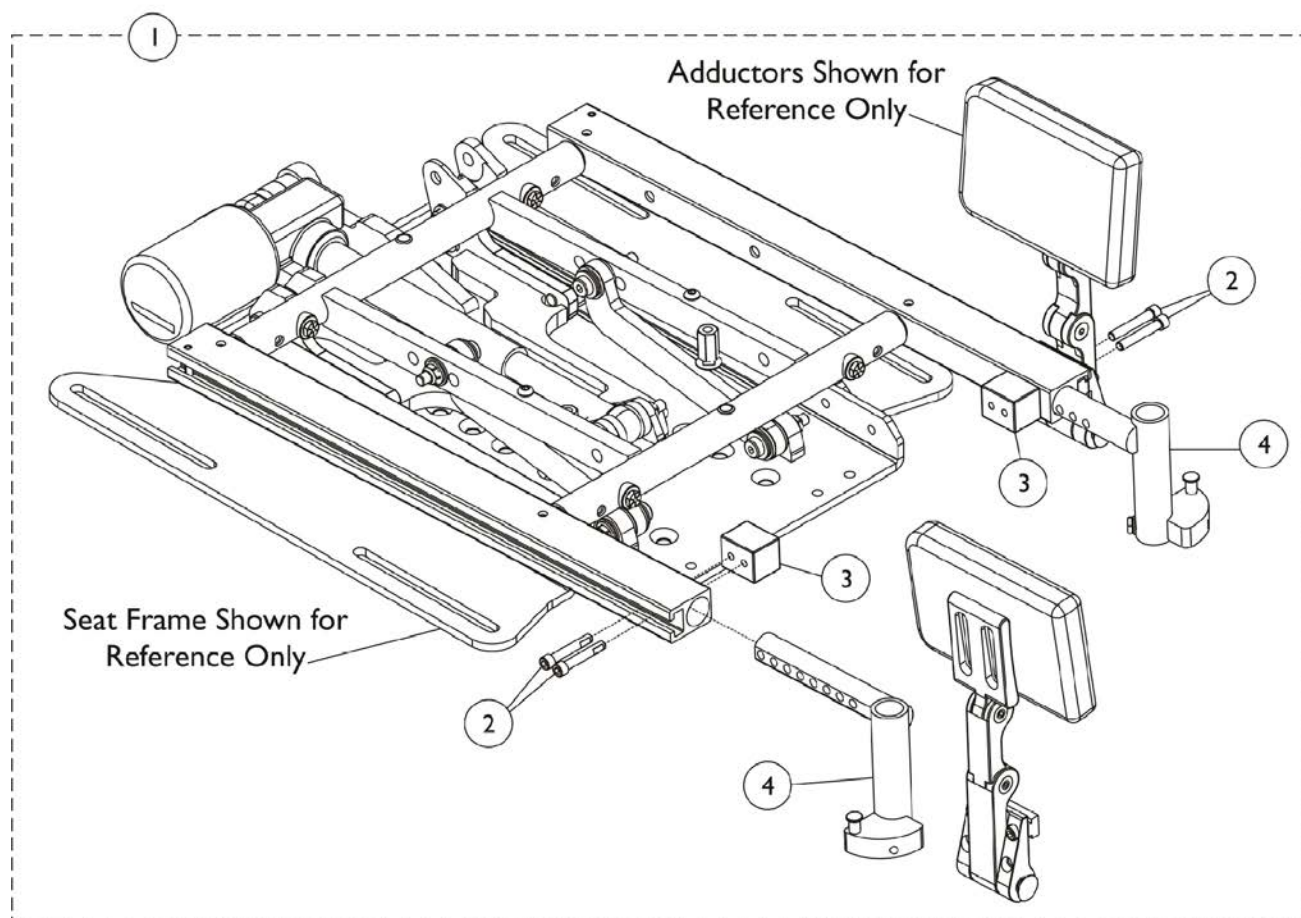
For replacement Adductors, see section titled, "Accessories-Adductors" within the Formula™CG Powered Seating Elevate CGE Tilt CGT/CGTE Recline CGR Tilt/Recline CGTR/CGTRE parts book.

| Item Number | Note | Part Number | Description | Quantity Per | |
|-------------|------|-------------|---|--------------|----------|
| | | | | Package | Assembly |
| 1 | A | 1162439 | NLA - Kit, Adductor Mounting Hardware, CG Tilt/Elevate for 3G Storm | 1 | 1 |
| 2 | | | Screw, Socket Head Cap w/ Patch (1/4-20 x 1-1/2") | 1 | 4 |
| 3 | | | Block, Threaded | 1 | 2 |
| 4 | | | Front Rigging Hanger Assembly w/ Plug Button, Pin Style, Adult, Black - Right | 1 | 1 |
| 4 | | | Front Rigging Hanger Assembly w/ Plug Button, Pin Style, Adult, Black - Left | 1 | 1 |

NOTE: A - Includes items 2-4.

Adductor Mounting Hardware, CG Tilt/Elevate, Sector Style

For replacement Adductors, see section titled, "Accessories-Adductors" within the Formula™CG Powered Seating Elevate CGE Tilt CGT/CGTE Recline CGR Tilt/Recline CGTR/CGTRE parts book.



Adductor Mounting Hardware, CG Tilt/Elevate, Sector Style

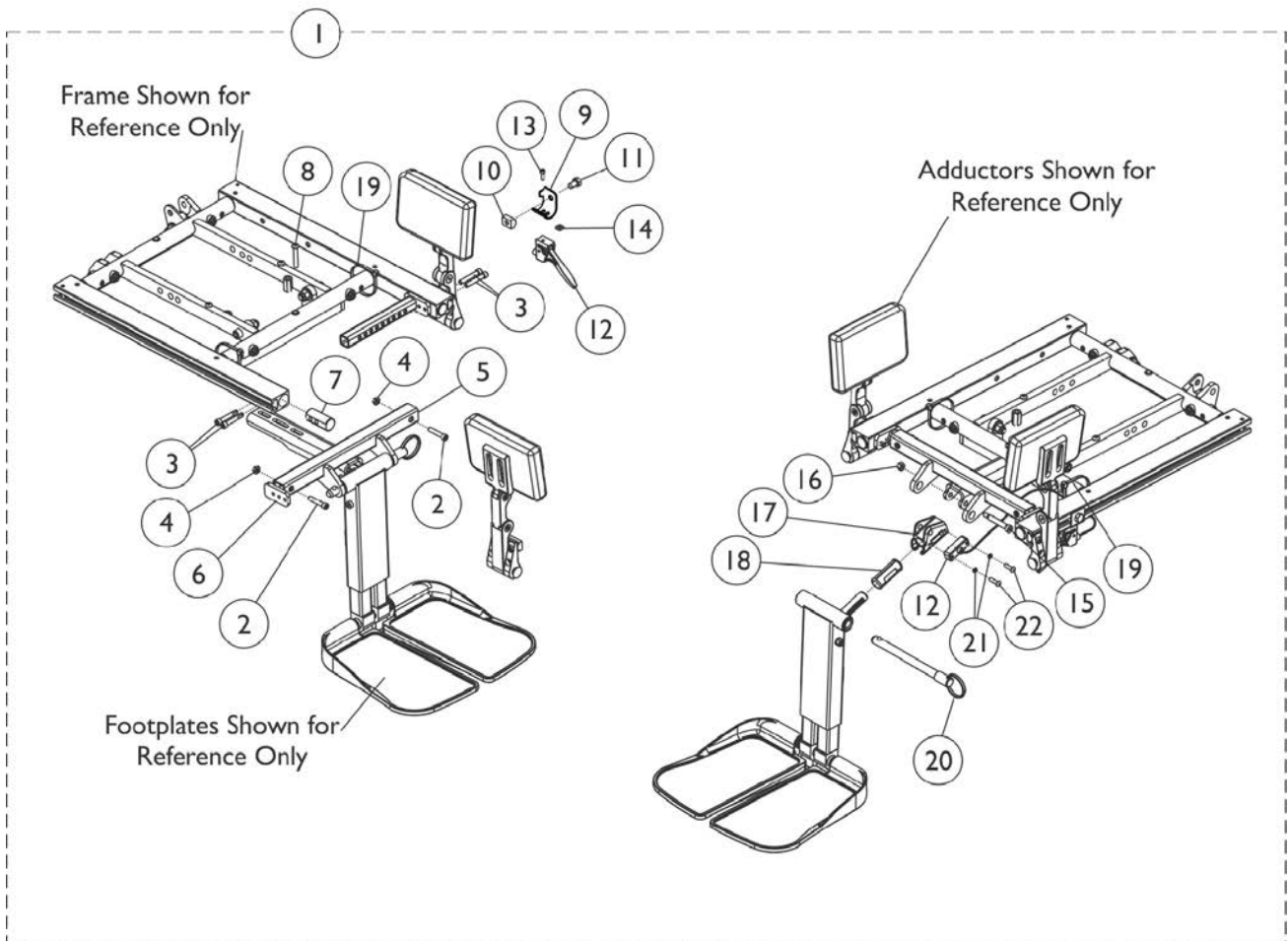
For replacement Adductors, see section titled, "Accessories-Adductors" within the Formula™CG Powered Seating Elevate CGE Tilt CGT/CGTE Recline CGR Tilt/Recline CGTR/CGTRE parts book.

| Item Number | Note | Part Number | Description | Quantity Per | |
|-------------|------|-------------|--|--------------|----------|
| | | | | Package | Assembly |
| 1 | A | 1162440 | Kit, Adductor Mounting Hardware, CG Tilt/Elevate, Sector Style | 1 | 1 |
| 2 | | | Screw, Socket Head Cap w/ Patch (1/4-20 x 1-1/2") | 1 | 4 |
| 3 | | | Block, Threaded | 1 | 2 |
| 4 | | | Front Rigging Hanger Assembly w/ Sector Block, Black - Right | 1 | 1 |
| 4 | | | Front Rigging Hanger Assembly w/ Sector Block, Black - Left | 1 | 1 |

NOTE: A - Includes items 2-4.

Adductor Mounting Hardware - Center Mount Front Riggings - Formula TRE

For replacement Adductors, see section titled, "Accessories-Adductors" within the Formula™CG Powered Seating Elevate CGE Tilt CGT/CGTE Recline CGR Tilt/Recline CGTR/CGTRE parts book.



Adductor Mounting Hardware - Center Mount Front Riggings - Formula TRE

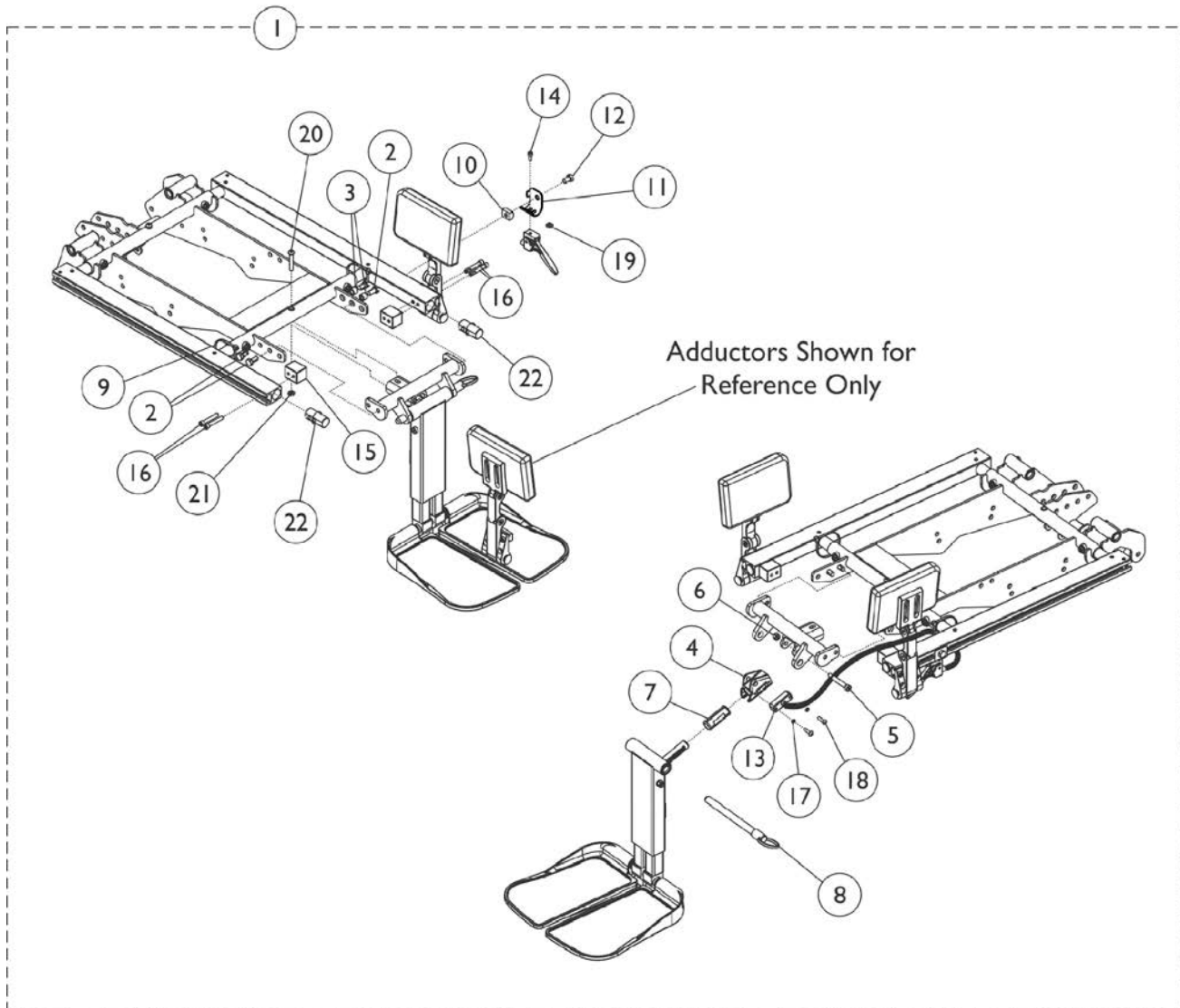
For replacement Adductors, see section titled, "Accessories-Adductors" within the Formula™CG Powered Seating Elevate CGE Tilt CGT/CGTE Recline CGR Tilt/Recline CGTR/CGTRE parts book.

| Item Number | Note | Part Number | Description | Quantity Per | |
|-------------|------|-------------|--|--------------|----------|
| | | | | Package | Assembly |
| 1 | A | 1162441-NLA | NLA - Kit, Adductor Mounting Hardware, Center Mount, Formula TRE | 1 | 1 |
| 2 | | | Screw, Socket Head (1/4-20 x 1-1/4") | 1 | 2 |
| 3 | | | Screw, Socket Head Cap w/ Patch (1/4-20 x 1-1/2") | 1 | 4 |
| 4 | | | Locknut (1/4-20) | 1 | 3 |
| 5 | | | Support, Footrest, Center Mount Rigging, Black (16"-19" D) | 1 | 1 |
| 6 | | | Support, Seat Pan (16-24" Wide) | 1 | 2 |
| 7 | | | Plug, Support | 1 | 2 |
| 8 | | | Screw, Socket Button Head (1/4-20 x 1-1/2") | 1 | 1 |
| 9 | | | Bracket, Release Handle Mounting, Black | 1 | 1 |
| 10 | | | T-Nut (5/16-18) | 1 | 1 |
| 11 | | | NLA - Screw, Hex Head w/ Patch (5/16-18 x 1/2") | 1 | 1 |
| 12 | | | Cable/Brake Assembly | 1 | 1 |
| 13 | | | NLA - Screw, Socket Head (#10-32 x 1/2") | 1 | 1 |
| 14 | | | Nut, Square (#10-32) | 1 | 1 |
| 15 | | | Screw, Shoulder Hex Socket Head (5/16" x 1-5/8", 1/4-20) | 1 | 1 |
| 16 | | | Locknut (1/4-20) | 1 | 1 |
| 17 | | | Housing, Ratchet | 1 | 1 |
| 18 | | | Bearing, Glide | 1 | 2 |
| 19 | | | Tie Wrap (11-1/2" L) | 1 | 2 |
| 20 | | | NLA - Pin, Quick Release (5" Long) | 1 | 1 |
| 21 | | | NLA - Washer, Lock (3/16 x 5/16 x 1/32") | 1 | 2 |
| 22 | | | Screw, Phillips Pan Head (#10-32 x 11/16") | 1 | 2 |
| 12 | | 1121079 | Cable/Brake Assembly w/ Ratchet Housing and Glide Bearing | 1 | 1 |

NOTE: A - Includes items 2-22.

Adductor Mounting Hardware - Center Mount Front Riggings

For replacement Adductors, see section titled, "Accessories-Adductors" within the Formula™CG Powered Seating Elevate CGE Tilt CGT/CGTE Recline CGR Tilt/Recline CGTR/CGTRE parts book.



Adductor Mounting Hardware - Center Mount Front Riggings

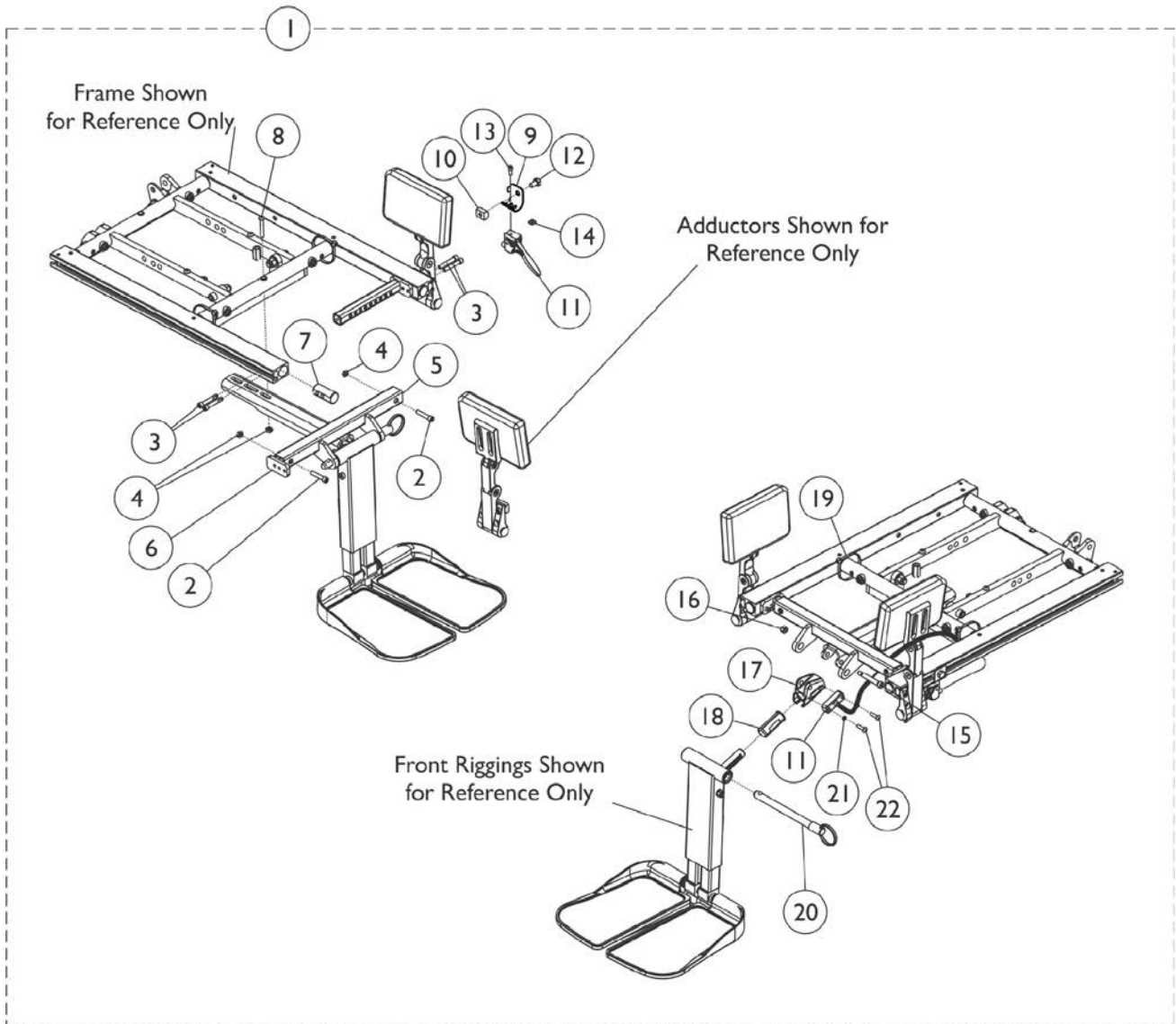
For replacement Adductors, see section titled, "Accessories-Adductors" within the Formula™CG Powered Seating Elevate CGE Tilt CGT/CGTE Recline CGR Tilt/Recline CGTR/CGTRE parts book.

| Item Number | Note | Part Number | Description | Quantity Per | |
|-------------|------|-------------|--|--------------|----------|
| | | | | Package | Assembly |
| 1 | A | 1162430 | Kit, Adductor Mounting Hardware, Center Mount Front Riggings | 1 | 1 |
| 2 | | | Screw, Hex Head w/ Patch (5/16-18 x 5/8") | 1 | 4 |
| 3 | | | Spacer (5/16 x 7/16 x 3/8") | 1 | 2 |
| 4 | | | Housing, Ratchet | 1 | 1 |
| 5 | | | Screw, Shoulder Hex Socket Head (5/16" x 1-5/8", 1/4-20) | 1 | 1 |
| 6 | | | Locknut (1/4-20) | 1 | 1 |
| 7 | | | Bearing, Glide | 1 | 2 |
| 8 | | | NLA - Pin, Quick Release (5" Long) | 1 | 1 |
| 9 | | | Tie Wrap (11-1/2" L) | 1 | 2 |
| 10 | | | T-Nut (5/16-18) | 1 | 1 |
| 11 | | | Bracket, Release Handle Mounting, Black | 1 | 1 |
| 12 | | | NLA - Screw, Hex Head w/ Patch (5/16-18 x 1/2") | 1 | 1 |
| 13 | | | Cable/Brake Assembly | 1 | 1 |
| 14 | | | NLA - Screw, Socket Head (#10-32 x 1/2") | 1 | 1 |
| 15 | | | Block, Threaded | 1 | 2 |
| 16 | | | Screw, Socket Head Cap w/ Patch (1/4-20 x 1-1/2") | 1 | 4 |
| 17 | | | NLA - Washer, Lock (3/16 x 5/16 x 1/32") | 1 | 2 |
| 18 | | | Screw, Phillips Pan Head (#10-32 x 11/16") | 1 | 2 |
| 19 | | | Nut, Square (#10-32) | 1 | 1 |
| 20 | | | Screw, Socket Button Head (1/4-20 x 1-1/2") | 1 | 1 |
| 21 | | | Locknut (1/4-20) | 1 | 1 |
| 22 | | | Plug, Support | 1 | 2 |
| 13 | | 1121079 | Cable/Brake Assembly w/ Ratchet Housing and Glide Bearing | 1 | 1 |

NOTE: A - Includes items 2-22.

Adductor Mounting Hardware - Center Mount Front Riggings - Long

For replacement Adductors, see section titled, "Accessories-Adductors" within the Formula™CG Powered Seating Elevate CGE Tilt CGT/CGTE Recline CGR Tilt/Recline CGTR/CGTRE parts book.



Adductor Mounting Hardware - Center Mount Front Riggings - Long

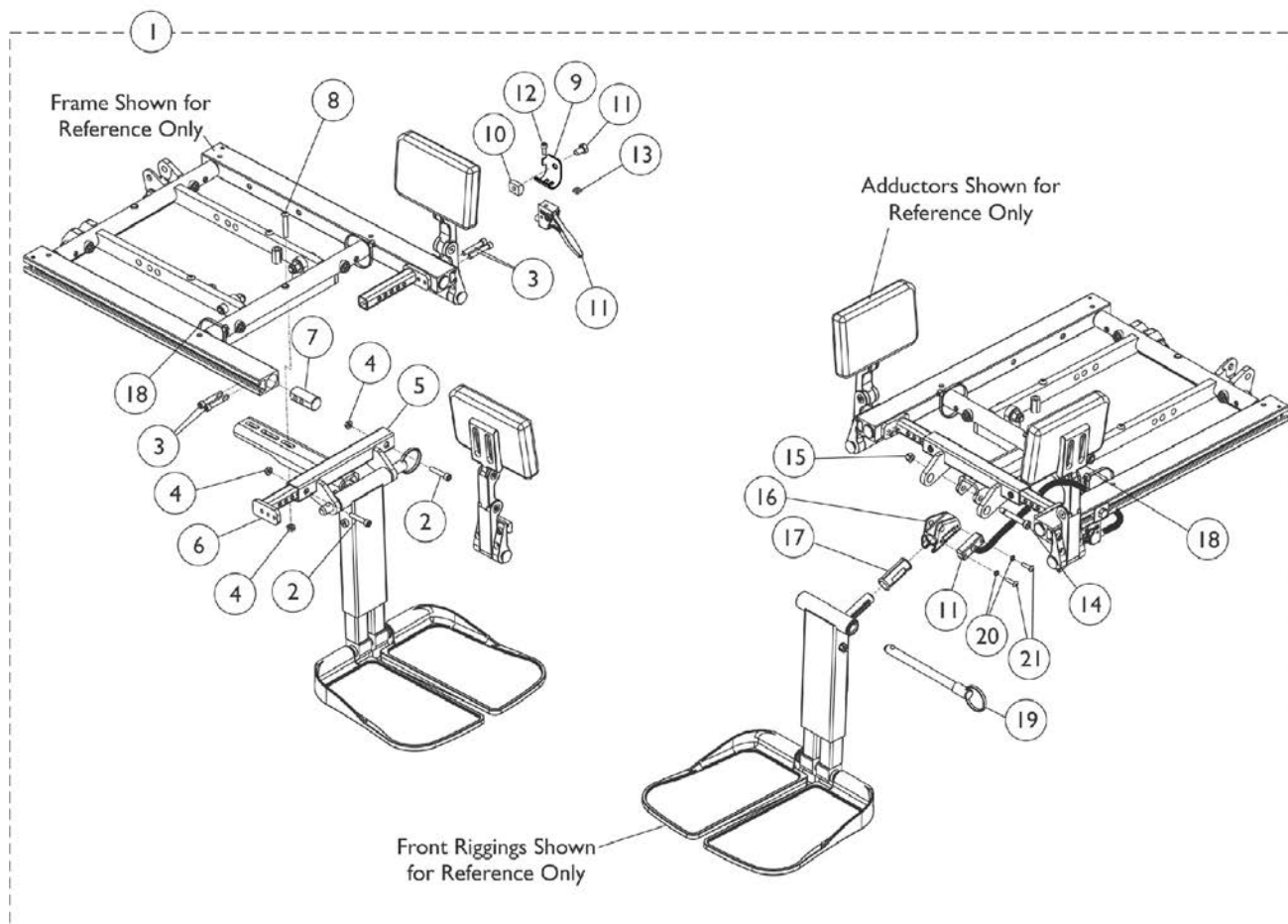
For replacement Adductors, see section titled, "Accessories-Adductors" within the Formula™CG
Powered Seating Elevate CGE Tilt CGT/CGTE Recline CGR Tilt/Recline CGTR/CGTRE parts book.

| Item Number | Note | Part Number | Description | Quantity Per | |
|-------------|------|-------------|--|--------------|----------|
| | | | | Package | Assembly |
| 1 | A | 1162442-NLA | NLA - Kit, Adductor Mounting Hardware, Center Mount Front - Long | 1 | 1 |
| 2 | | | Screw, Socket Head (1/4-20 x 1-1/4") | 1 | 2 |
| 3 | | | Screw, Socket Head Cap w/ Patch (1/4-20 x 1-1/2") | 1 | 4 |
| 4 | | | Locknut (1/4-20) | 1 | 3 |
| 5 | | | Support, Center Mount Rigging, Black (19"-22" D) | 1 | 1 |
| 6 | | | Support, Seat Pan (16-24" Wide) | 1 | 2 |
| 7 | | | Plug, Support | 1 | 2 |
| 8 | | | Screw, Socket Button Head (1/4-20 x 1-1/2") | 1 | 1 |
| 9 | | | Bracket, Release Handle Mounting, Black | 1 | 1 |
| 10 | | | T-Nut (5/16-18) | 1 | 1 |
| 11 | | | NLA - Screw, Hex Head w/ Patch (5/16-18 x 1/2") | 1 | 1 |
| 12 | | | Cable/Brake Assembly | 1 | 1 |
| 13 | | | NLA - Screw, Socket Head (#10-32 x 1/2") | 1 | 1 |
| 14 | | | Nut, Square (#10-32) | 1 | 1 |
| 15 | | | Screw, Shoulder Hex Socket Head (5/16" x 1-5/8", 1/4-20) | 1 | 1 |
| 16 | | | Locknut (1/4-20) | 1 | 1 |
| 17 | | | Housing, Ratchet | 1 | 1 |
| 18 | | | Bearing, Glide | 1 | 2 |
| 19 | | | Tie Wrap (11-1/2" L) | 1 | 2 |
| 20 | | | NLA - Pin, Quick Release (5" Long) | 1 | 1 |
| 21 | | | NLA - Washer, Lock (3/16 x 5/16 x 1/32") | 1 | 2 |
| 22 | | | Screw, Phillips Pan Head (#10-32 x 11/16") | 1 | 2 |
| 12 | | 1121079 | Cable/Brake Assembly w/ Ratchet Housing and Glide Bearing | 1 | 1 |

NOTE: A - Includes items 2-22.

Adductor Mounting Hardware, Jr. Center Mount Front Riggings

For replacement Adductors, see section titled, "Accessories-Adductors" within the Formula™CG Powered Seating Elevate CGE Tilt CGT/CGTE Recline CGR Tilt/Recline CGTR/CGTRE parts book.



Adductor Mounting Hardware, Jr. Center Mount Front Riggings

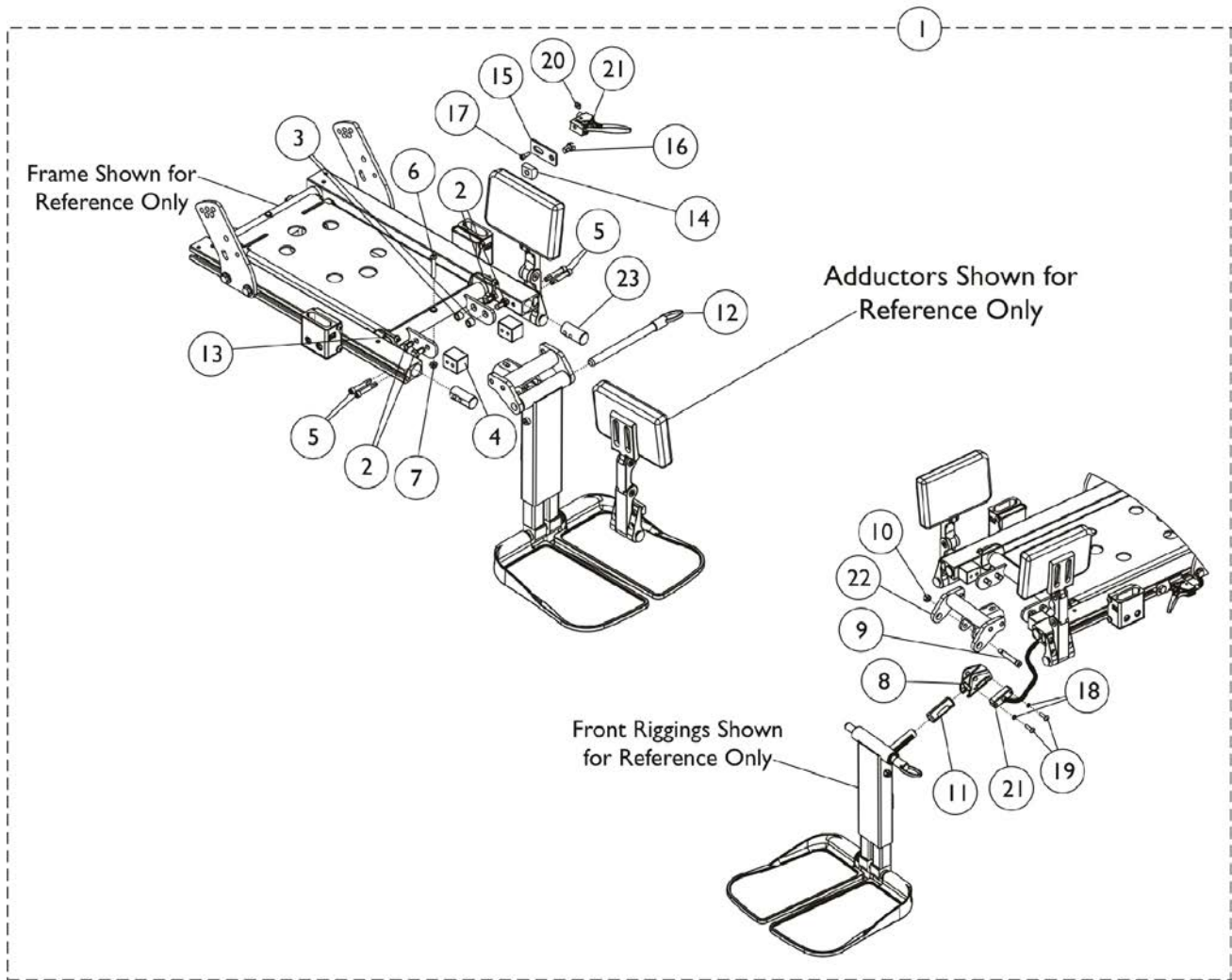
For replacement Adductors, see section titled, "Accessories-Adductors" within the Formula™CG Powered Seating Elevate CGE Tilt CGT/CGTE Recline CGR Tilt/Recline CGTR/CGTRE parts book.

| Item Number | Note | Part Number | Description | Quantity Per | |
|-------------|------|-------------|--|--------------|----------|
| | | | | Package | Assembly |
| 1 | A | 1162443-NLA | NLA - Kit, Adductor Mounting Hardware, Jr. Center Mount | 1 | 1 |
| 2 | | | Screw, Socket Head (1/4-20 x 1-1/4") | 1 | 2 |
| 3 | | | Screw, Socket Head Cap w/ Patch (1/4-20 x 1-1/2") | 1 | 4 |
| 4 | | | Locknut (1/4-20) | 1 | 3 |
| 5 | | | Support, Footrest, Center Mount Rigging, Black (12"-16" D) | 1 | 1 |
| 6 | | | Support, Seat Pan (12"-16" W) | 1 | 2 |
| 7 | | | Plug, Support | 1 | 2 |
| 8 | | | Screw, Socket Button Head (1/4-20 x 1-1/2") | 1 | 1 |
| 9 | | | Bracket, Release Handle Mounting, Black | 1 | 1 |
| 10 | | | T-Nut (5/16-18) | 1 | 1 |
| 11 | | | NLA - Screw, Hex Head w/ Patch (5/16-18 x 1/2") | 1 | 1 |
| 12 | | | NLA - Screw, Socket Head (#10-32 x 1/2") | 1 | 1 |
| 13 | | | Cable/Brake Assembly | 1 | 1 |
| 14 | | | Nut, Square (#10-32) | 1 | 1 |
| 15 | | | Screw, Shoulder Hex Socket Head (5/16" x 1-5/8", 1/4-20) | 1 | 1 |
| 16 | | | Locknut (1/4-20) | 1 | 1 |
| 17 | | | Housing, Ratchet | 1 | 1 |
| 18 | | | Bearing, Glide | 1 | 2 |
| 19 | | | Tie Wrap (11-1/2" L) | 1 | 2 |
| 20 | | | NLA - Pin, Quick Release (5" Long) | 1 | 1 |
| 21 | | | NLA - Washer, Lock (3/16 x 5/16 x 1/32") | 1 | 2 |
| 22 | | | Screw, Phillips Pan Head (#10-32 x 11/16") | 1 | 2 |
| 13 | | 1121079 | Cable/Brake Assembly w/ Ratchet Housing and Glide Bearing | 1 | 1 |

NOTE: A - Includes items 2-22.

Adductor Mounting Hardware - Jr. Center Mount Front Riggings - Tilt

For replacement Adductors, see section titled, "Accessories-Adductors" within the Formula™CG Powered Seating Elevate CGE Tilt CGT/CGTE Recline CGR Tilt/Recline CGTR/CGTRE parts book.



Adductor Mounting Hardware - Jr. Center Mount Front Riggings - Tilt

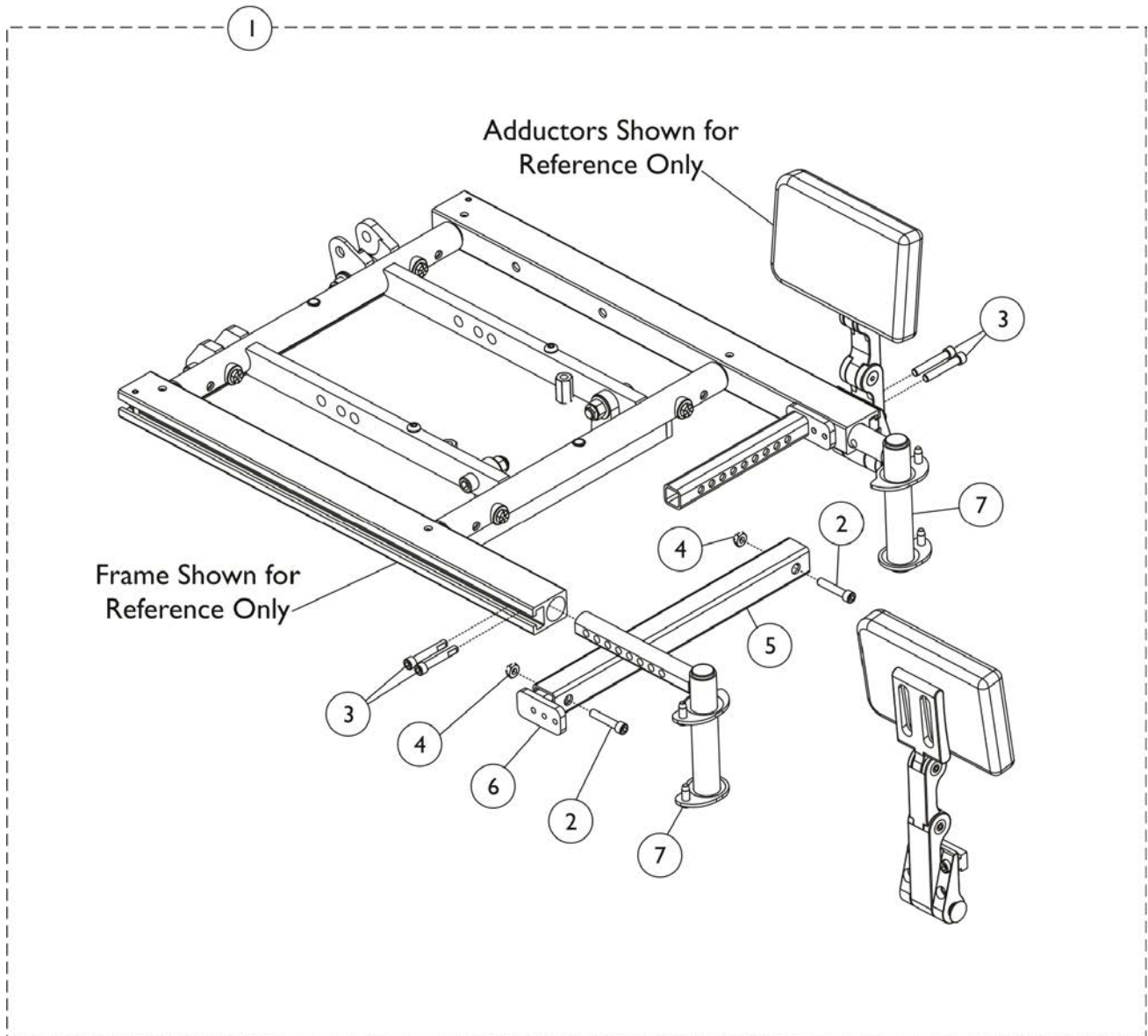
For replacement Adductors, see section titled, "Accessories-Adductors" within the Formula™CG Powered Seating Elevate CGE Tilt CGT/CGTE Recline CGR Tilt/Recline CGTR/CGTRE parts book.

| Item Number | Note | Part Number | Description | Quantity Per | |
|-------------|------|-------------|---|--------------|----------|
| | | | | Package | Assembly |
| 1 | A | 1162444-NLA | NLA - Kit, Adductor Mounting Hardware, Jr. Center Mount, Tilt | 1 | 1 |
| 2 | | | Screw, Hex Head w/ Patch (5/16-18 x 5/8") | 1 | 4 |
| 3 | | | Spacer (5/16 x 7/16 x 3/8") | 1 | 2 |
| 4 | | | Block, Threaded | 1 | 2 |
| 5 | | | Screw, Socket Head Cap w/ Patch (1/4-20 x 1-1/2") | 1 | 4 |
| 6 | | | Screw, Socket Button Head (1/4-20 x 1-1/2") | 1 | 1 |
| 7 | | | Locknut (1/4-20) | 1 | 1 |
| 8 | | | Housing, Ratchet | 1 | 1 |
| 9 | | | Screw, Shoulder Hex Socket Head (5/16" x 1-5/8", 1/4-20) | 1 | 1 |
| 10 | | | Locknut (1/4-20) | 1 | 1 |
| 11 | | | Bearing, Glide | 1 | 2 |
| 12 | | | NLA - Pin, Quick Release (5" Long) | 1 | 1 |
| 13 | | | Tie Wrap (11-1/2" L) | 1 | 2 |
| 14 | | | T-Nut (5/16-18) | 1 | 1 |
| 15 | | | Bracket, Release Handle Mounting, Black | 1 | 1 |
| 16 | | | NLA - Screw, Hex Head w/ Patch (5/16-18 x 1/2") | 1 | 1 |
| 17 | | | NLA - Screw, Socket Head (#10-32 x 1/2") | 1 | 1 |
| 18 | | | NLA - Washer, Lock (3/16 x 5/16 x 1/32") | 1 | 2 |
| 19 | | | Screw, Phillips Pan Head (#10-32 x 11/16") | 1 | 2 |
| 20 | | | Nut, Square (#10-32) | 1 | 1 |
| 21 | | | Cable/Brake Assembly | 1 | 2 |
| 22 | | | Support, Footrest, Center Mount Rigging, Black | 1 | 1 |
| 23 | | | Plug, Support | 1 | 2 |
| 21 | | 1121079 | Cable/Brake Assembly w/ Ratchet Housing and Glide Bearing | 1 | 1 |

NOTE: A - Includes items 2-23.

Adductor Mounting Hardware, Tilt/Recline, 3G Storm

For replacement Adductors, see section titled, "Accessories-Adductors" within the Formula™CG Powered Seating Elevate CGE Tilt CGT/CGTE Recline CGR Tilt/Recline CGTR/CGTRE parts book.



Adductor Mounting Hardware, Tilt/Recline, 3G Storm

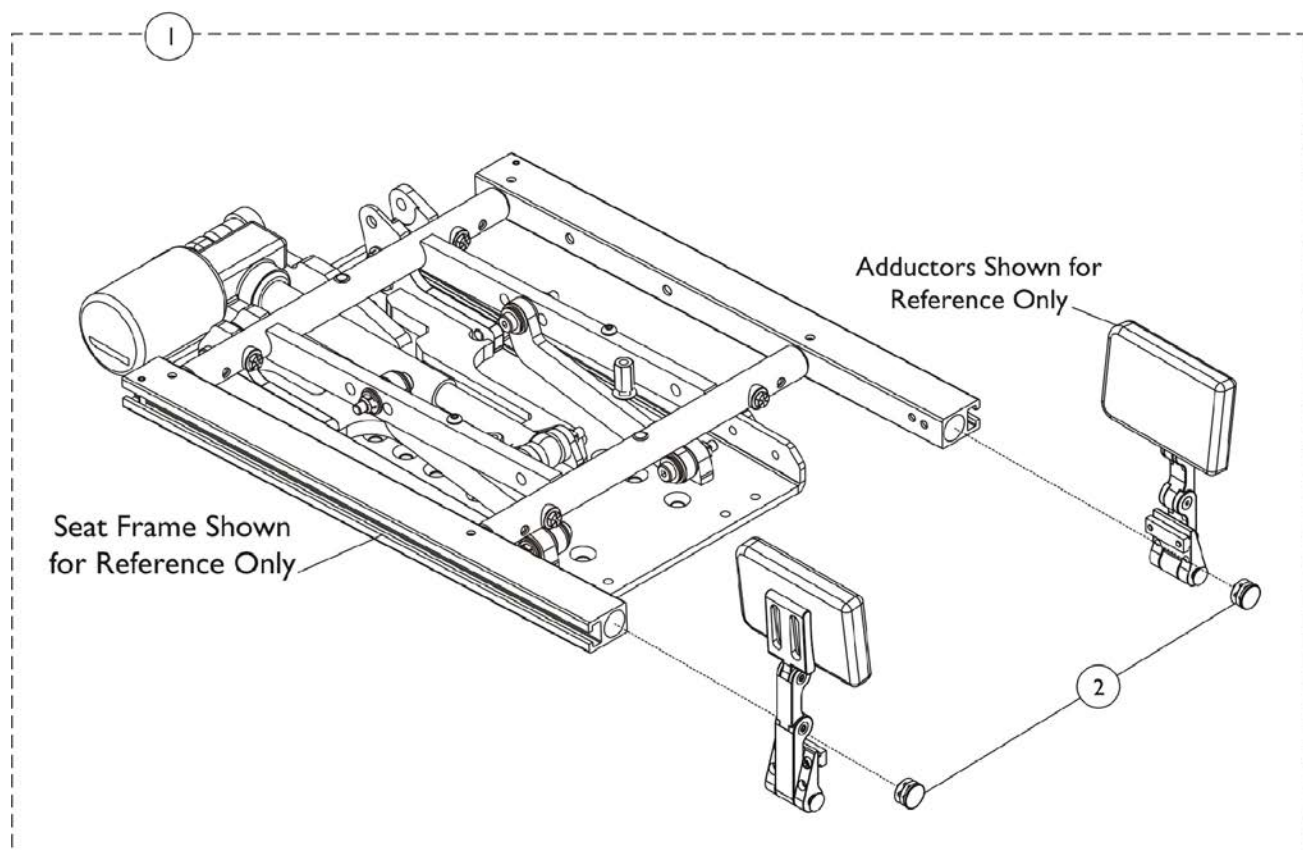
For replacement Adductors, see section titled, "Accessories-Adductors" within the Formula™CG Powered Seating Elevate CGE Tilt CGT/CGTE Recline CGR Tilt/Recline CGTR/CGTRE parts book.

| Item Number | Note | Part Number | Description | Quantity Per | |
|-------------|------|-------------|---|--------------|----------|
| | | | | Package | Assembly |
| 1 | A | 1162436-NLA | NLA - Kit, Adductor Mounting Hardware, Tilt/Recline 3G Storm | 1 | 1 |
| 2 | | | Screw, Socket Head (1/4-20 x 1-1/4") | 1 | 2 |
| 3 | | | Screw, Socket Head Cap w/ Patch (1/4-20 x 1-1/2") | 1 | 4 |
| 4 | | | Locknut (1/4-20) | 1 | 2 |
| 5 | | | Crossmember, Front Center Seat Frame, Black | 1 | 1 |
| 6 | | | Support, Seat Pan (16-24" Wide) | 1 | 2 |
| 7 | | | Front Rigging Hanger Assembly w/ Plug Button, Pin Style, Adult, Black - Right | 1 | 1 |
| 7 | | | Front Rigging Hanger Assembly w/ Plug Button, Pin Style, Adult, Black - Left | 1 | 1 |

NOTE: A - Includes items 2-7.

Adductors Mounting Hardware, LNX/LNX-L Front Riggings

For replacement Adductors, see section titled, "Accessories-Adductors"



Adductors Mounting Hardware, LNX/LNX-L Front Riggings

For replacement Adductors, see section titled, "Accessories-Adductors"

| Item Number | Note | Part Number | Description | Quantity Per | |
|--|------|-------------|---|--------------|----------|
| | | | | Package | Assembly |
| 1 | A | 1162434 | Hardware, Mounting, Adductor, MPCTMT/MPCTMT-L Front Riggings | 1 | 1 |
| 2 | | | Plug Button, Black (1") | 1 | 2 |
| NOTE: A - Includes item 2. Adductor Mounting Hardware used for MPCTMT/MPCTMT-L and LNX/LNX-L Power Center Mount Articulating Elevating Legrest to plug the end of the Seat Rails only. | | | | | |

Invacare Corporation

www.invacare.com



Yes, you can.

One Invacare Way
Elyria, Oh USA
44036-2125
800-333-6900

Technical Support
800-832-4707
Customer Service
800-333-6900

Literature Orders
800-333-6900

© 2022 Invacare Corporation. All rights reserved. Republication, duplication or modification in whole or in part is prohibited without prior written permission from Invacare. Trademarks are identified by ™ and ®. All trademarks are owned by or licensed to Invacare Corporation or its subsidiaries unless otherwise noted. (Revised 03/07/22)

Form No. 07_077